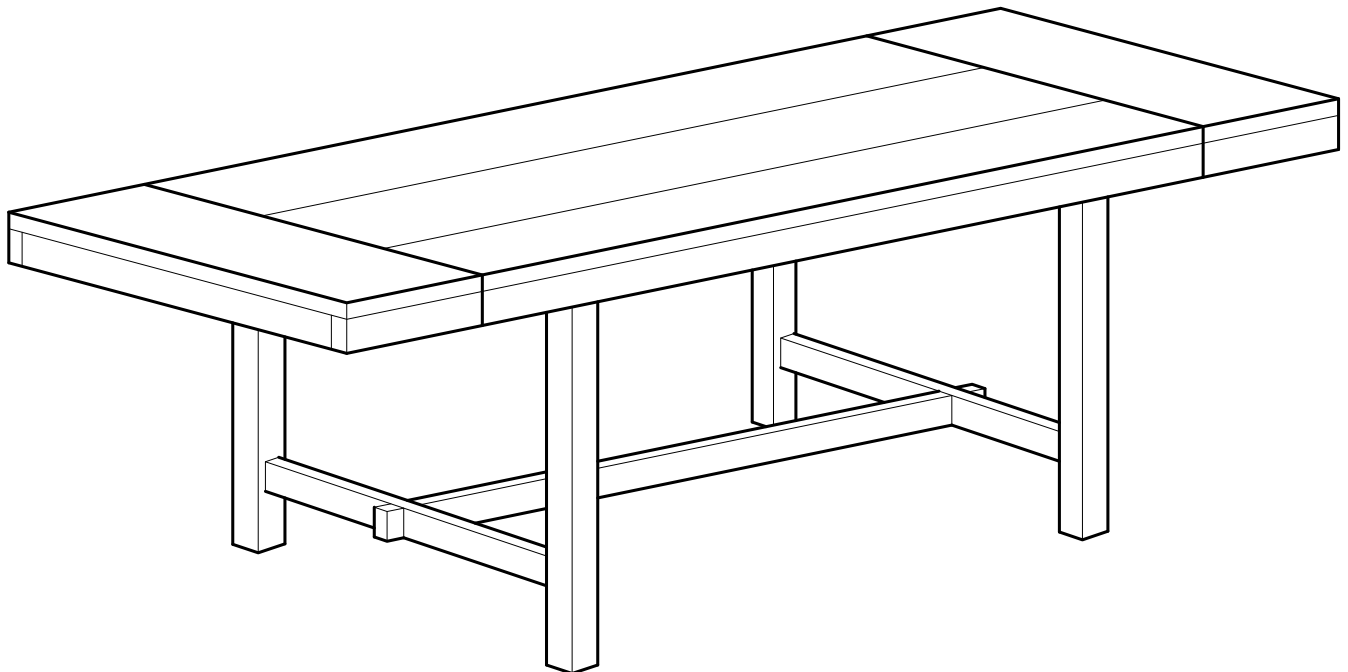


WE Walker
Edison
furniture company

ITEM # : TW60H
ASSEMBLY INSTRUCTION

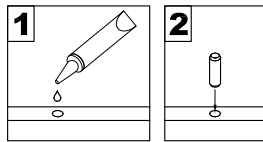


For our most up-to-date instructions, to request missing, lost, or broken parts, or for any other Customer Service issues, please visit our website at www.walkeredison.com or call us at 877-207-5906.

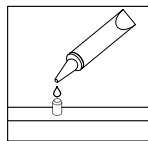
Revised 022012

General Assembly Guidelines

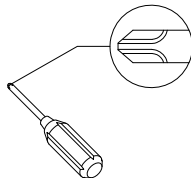
- I. Insure that all parts and hardware are available before beginning assembly.
- II. Follow each step carefully to insure the proper assembly of this product.
- III. Two people are recommended for ease in the assembly of this product.
- IV. The main types of hardware used to assemble this product are wood dowels, screws, bolts and washers.
- V. The provided glue is to secure wood dowels in place. When first inserting dowels, locate the appropriate hole for the dowel, place a small amount of glue in the hole and insert the dowel. Wipe away excess glue immediately.



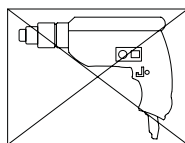
In future assembly steps when dowels are necessary to attach assembly parts together, place a small amount of glue on the end of the dowel before attaching parts together. Wipe away excess glue immediately.



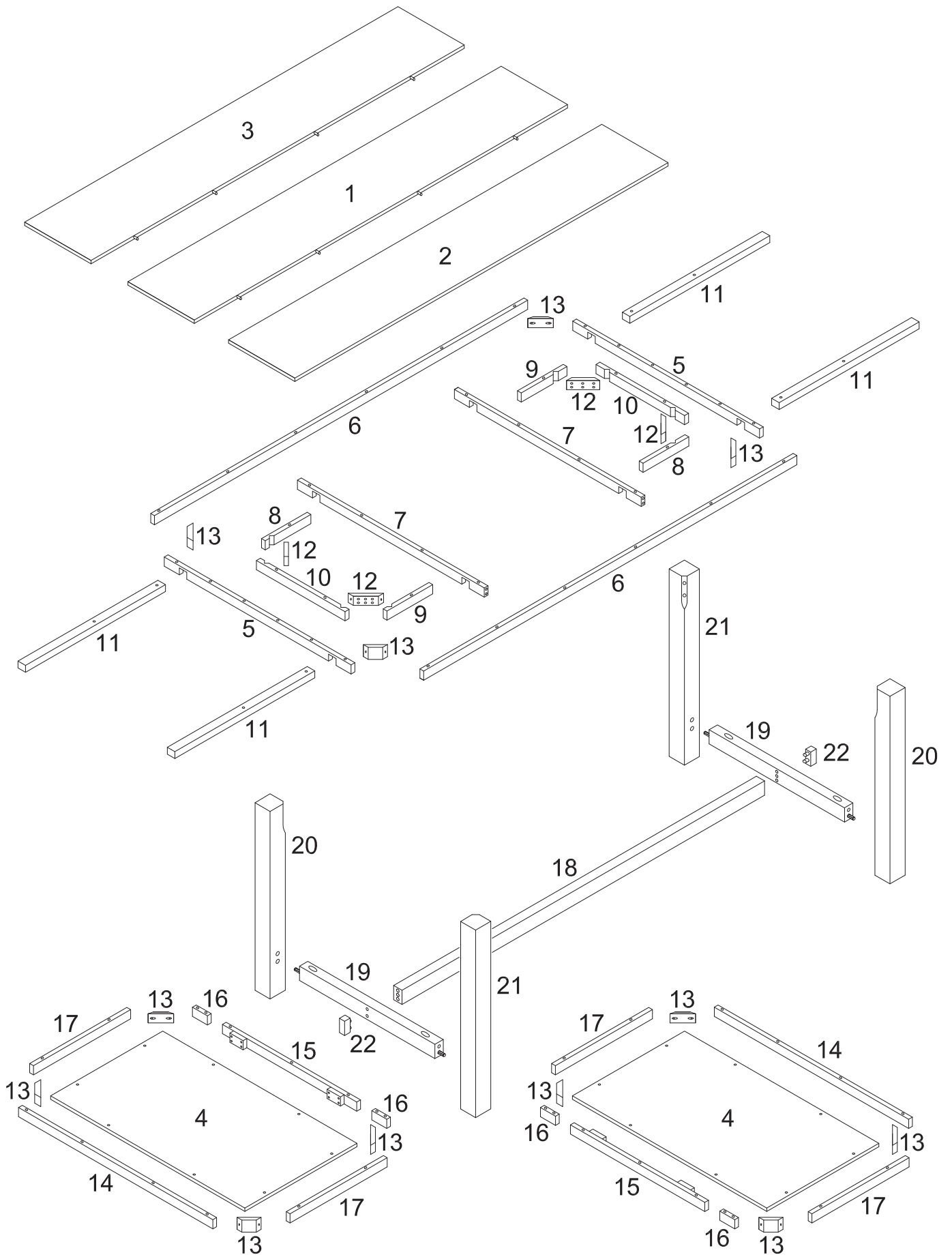
- VI. A Phillips head screwdriver is required for the assembly of this product.




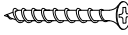
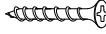










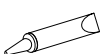
- VII. Power tools should not be used to assemble this product.



Parts List

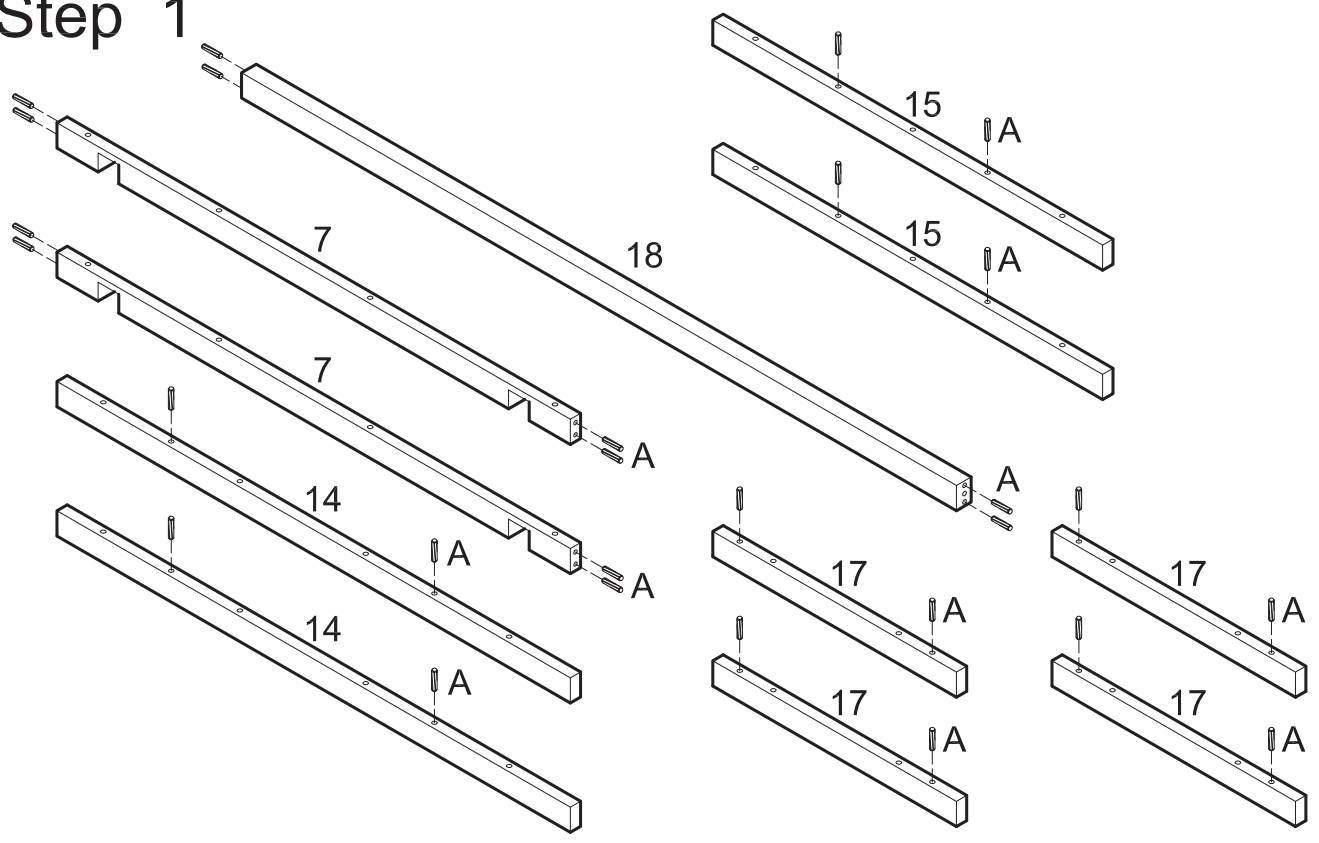


Hardware List

A		Ø10*35(mm)	Wooden dowel	64 pcs
B		Ø4*38(mm)	Long screw	4 pcs
C		Ø4*32(mm)	Short screw	110 pcs
D		Ø6*70(mm)	Bolt	2 pcs
E		Ø8*60(mm)	Bolt	8 pcs
F		Ø5/16"	Spring washer	8 pcs
G		Ø5/16"	Washer	8 pcs
H			Table lock	4 pcs
J			Table lock	4 pcs
K		Ø3.5*16(mm)	Screw	24 pcs
L			Bracket	4 pcs
M		M4(mm)	Allen	1 pc
N		M5(mm)	Allen	1 pc
P			Glue	2 pcs

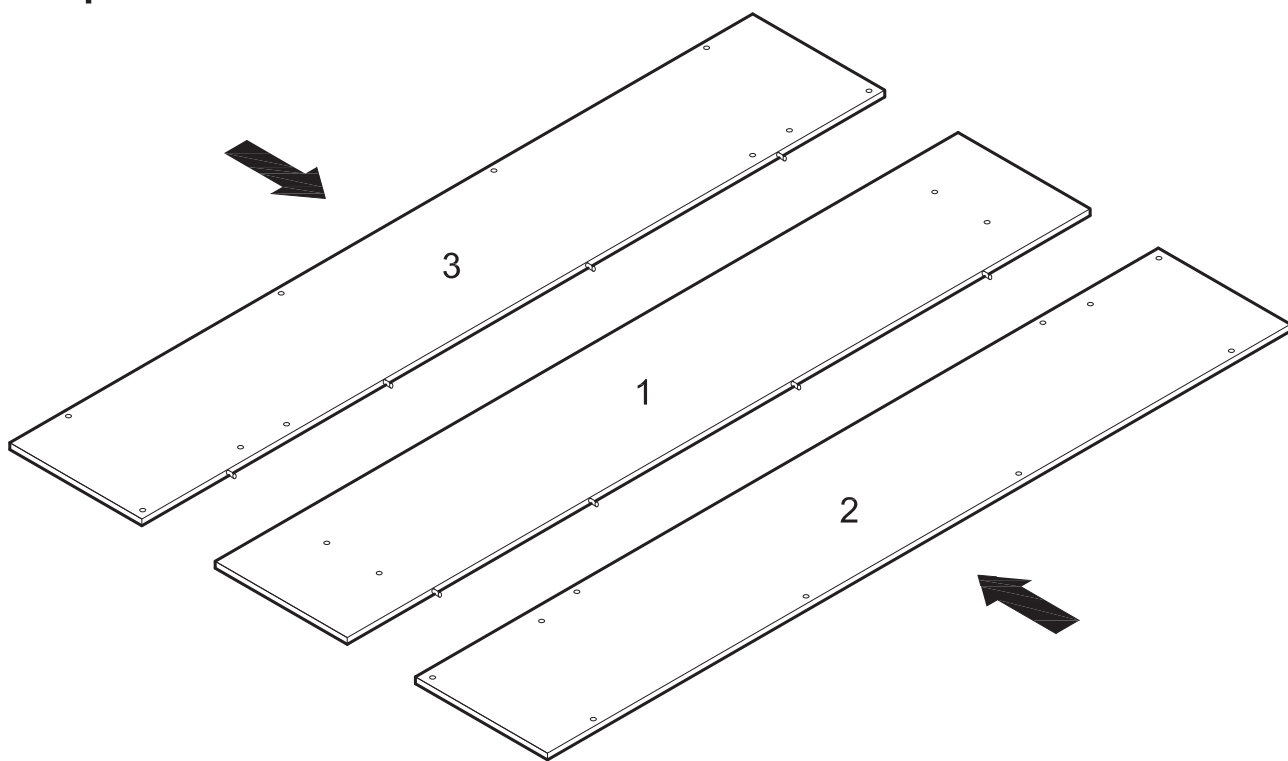
*The hardware quantities listed above are required for proper assembly.
Some extra hardware may also have been included.*

Step 1



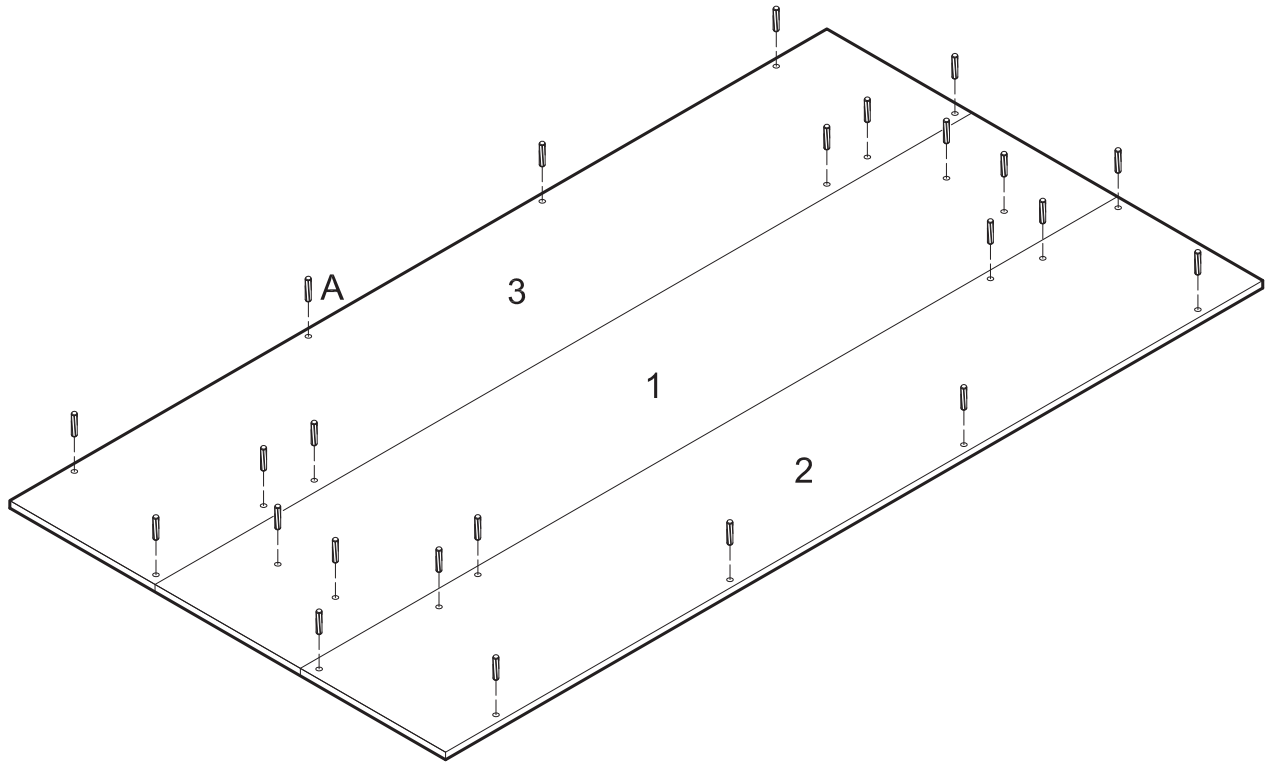
Insert dowels (A) into slats (7,14,15,17) and crossbar (18) as shown above.

Step 2



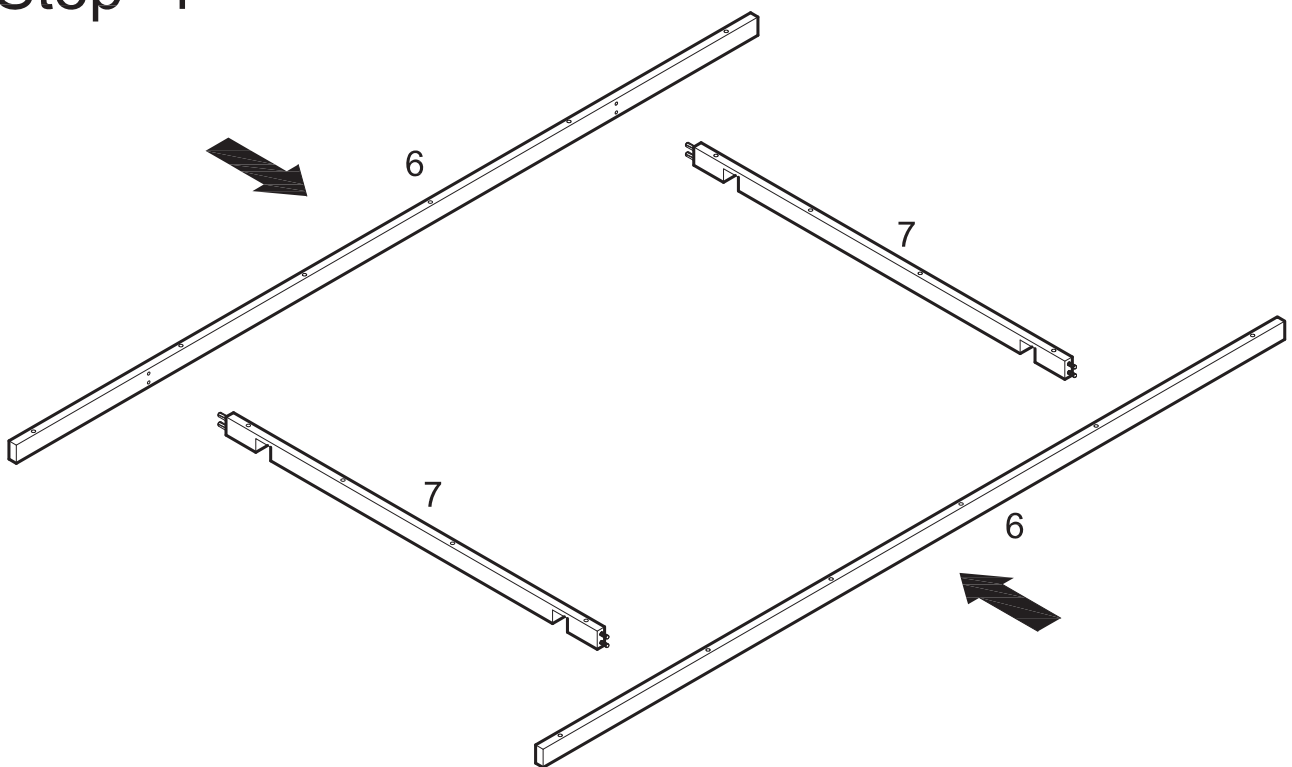
Carefully fit table top pieces (1,2,3) firmly together.

Step 3



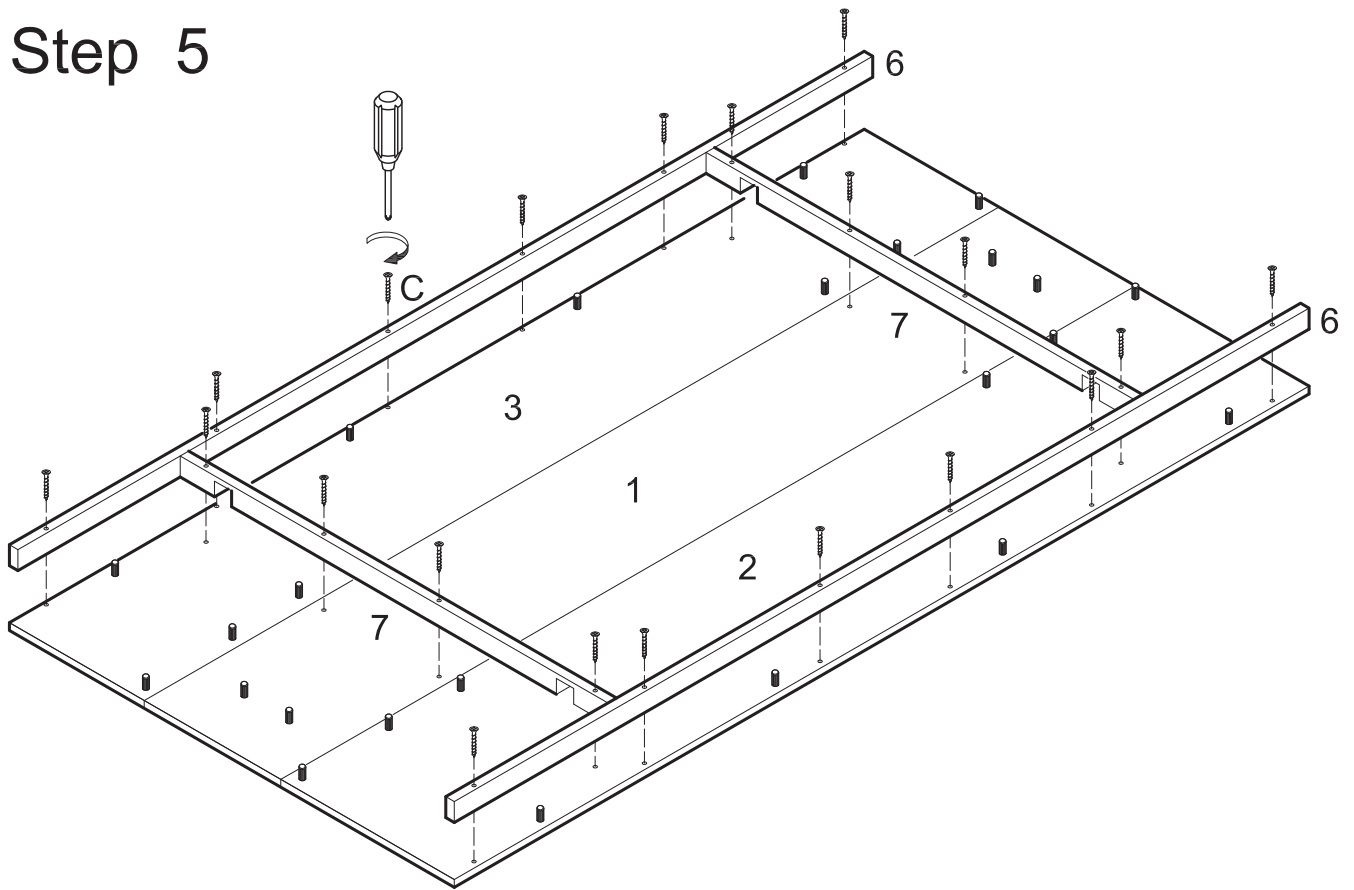
Insert dowels (A) into table top pieces (1,2,3).

Step 4



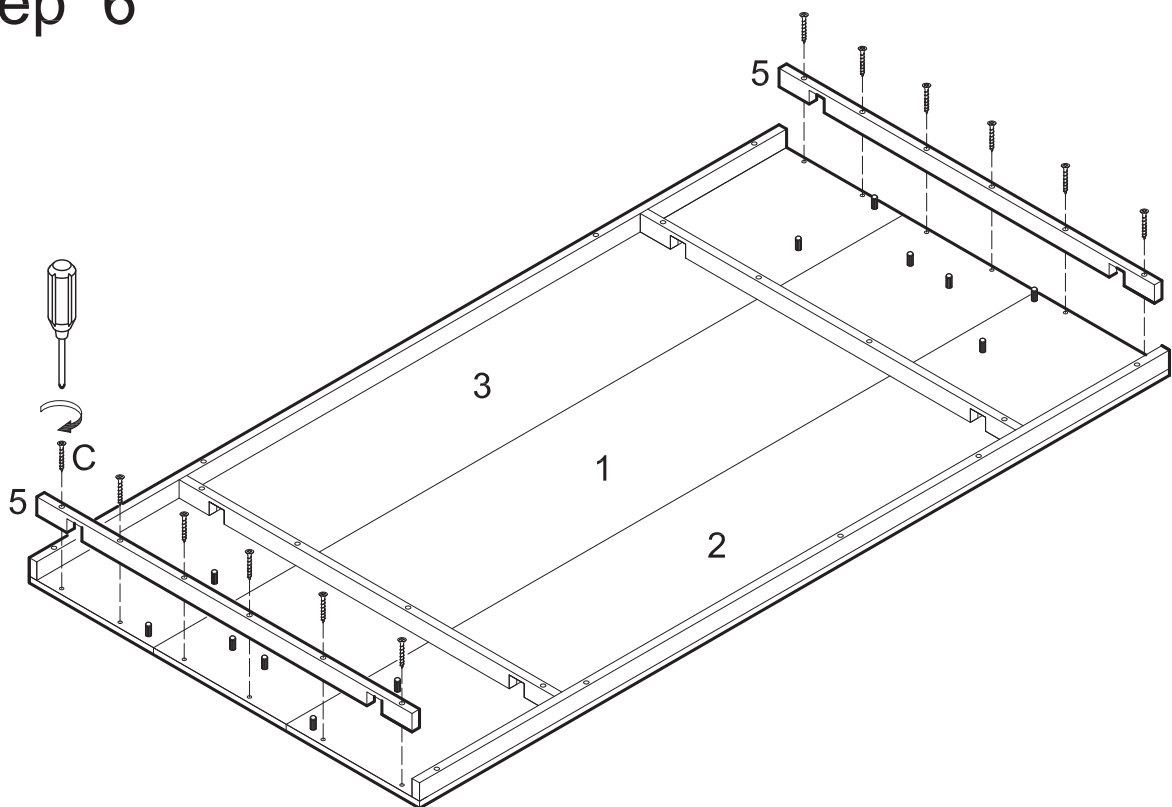
Attach slats (6) to slats (7) using dowels as guides.

Step 5



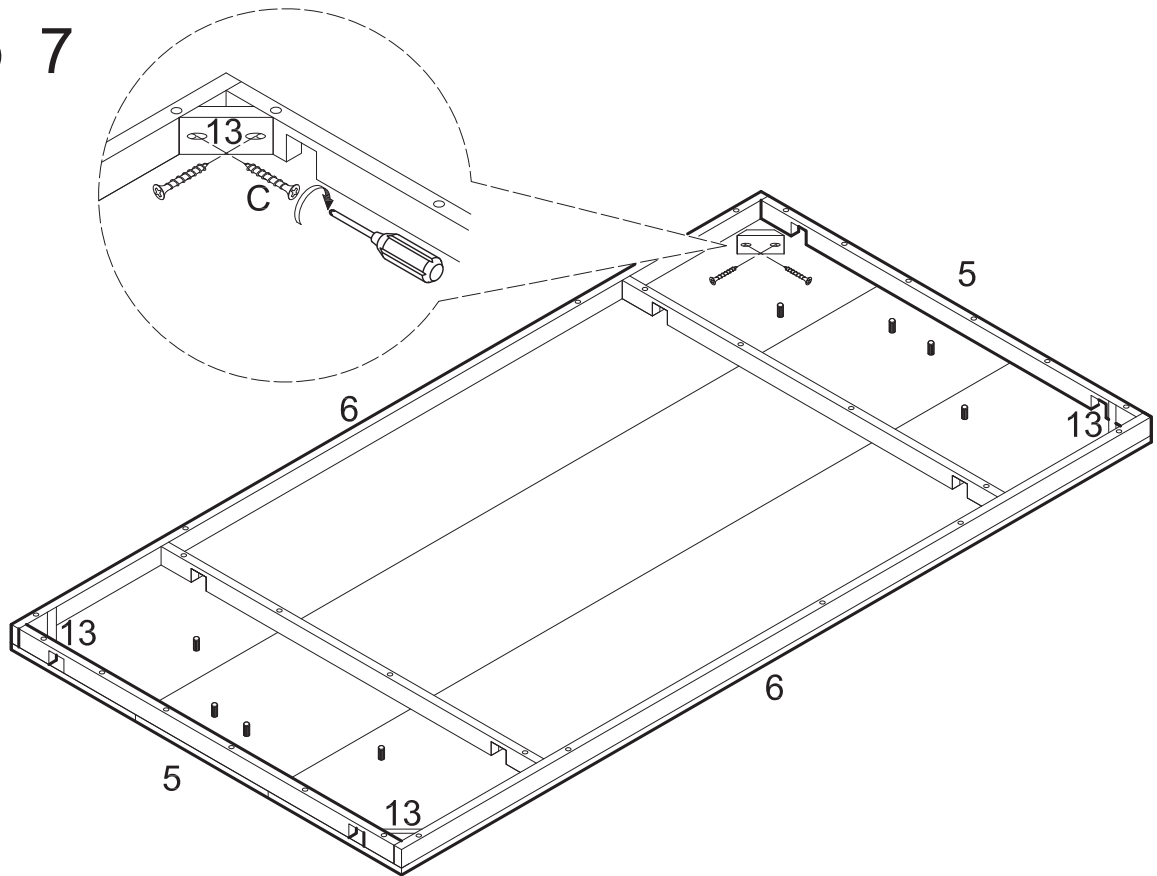
Attach slats (6,7) to table top pieces (1,2,3) using screws (C).

Step 6



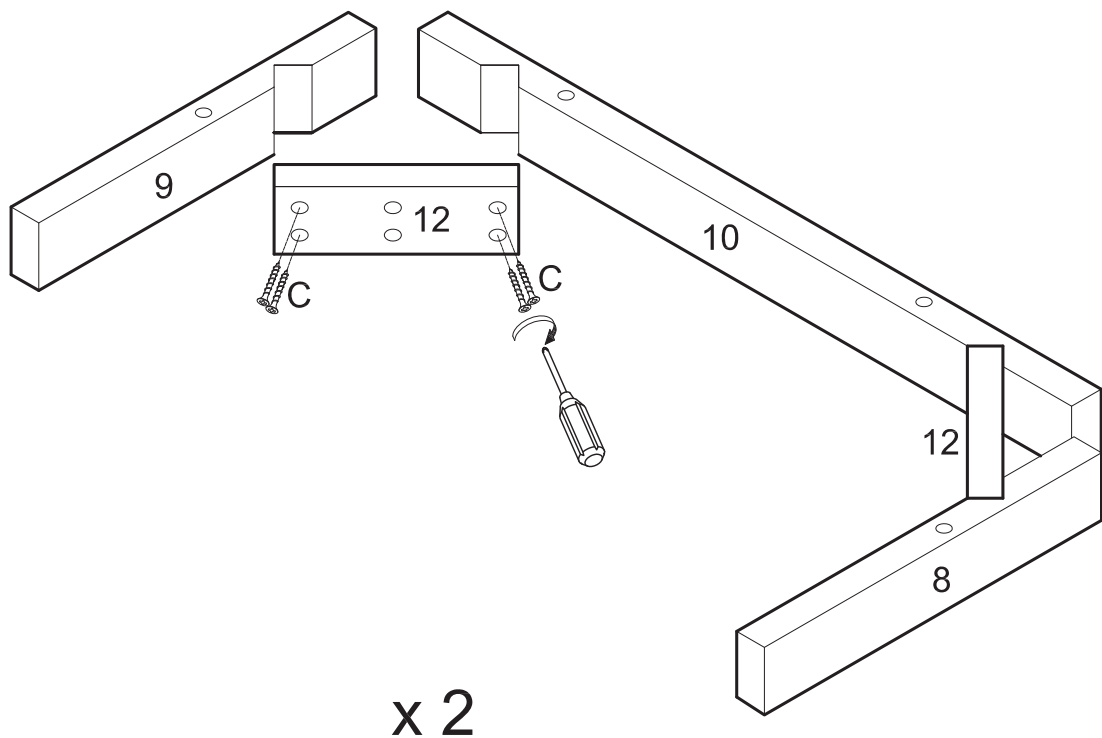
Attach slats (5) to table top pieces (1,2,3) using screws (C).

Step 7



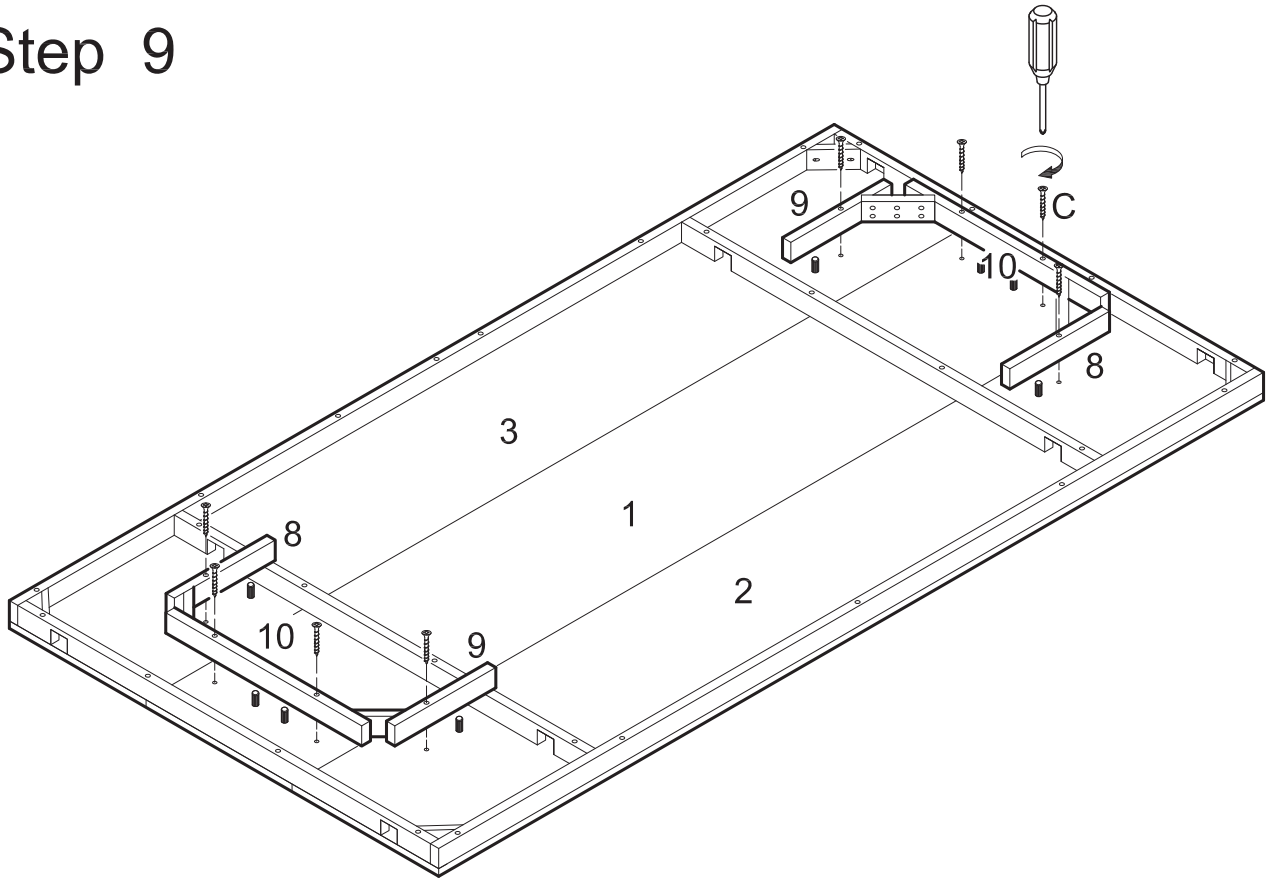
Attach corner blocks (13) to slats (5,6) using screws (C).

Step 8



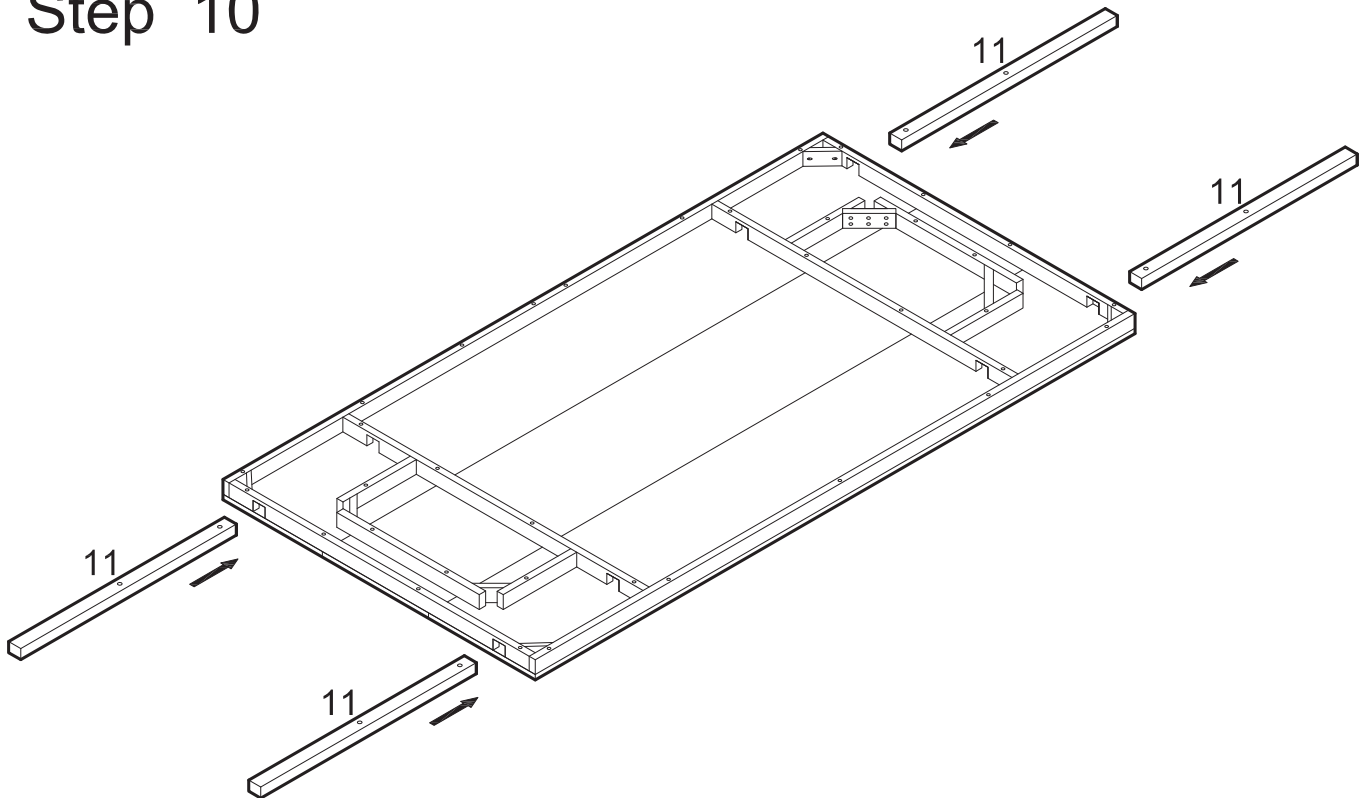
Attach corner blocks (12) to slats (8,9,10) using screws (C). Repeat this step for second set of slats (8,9,10).

Step 9



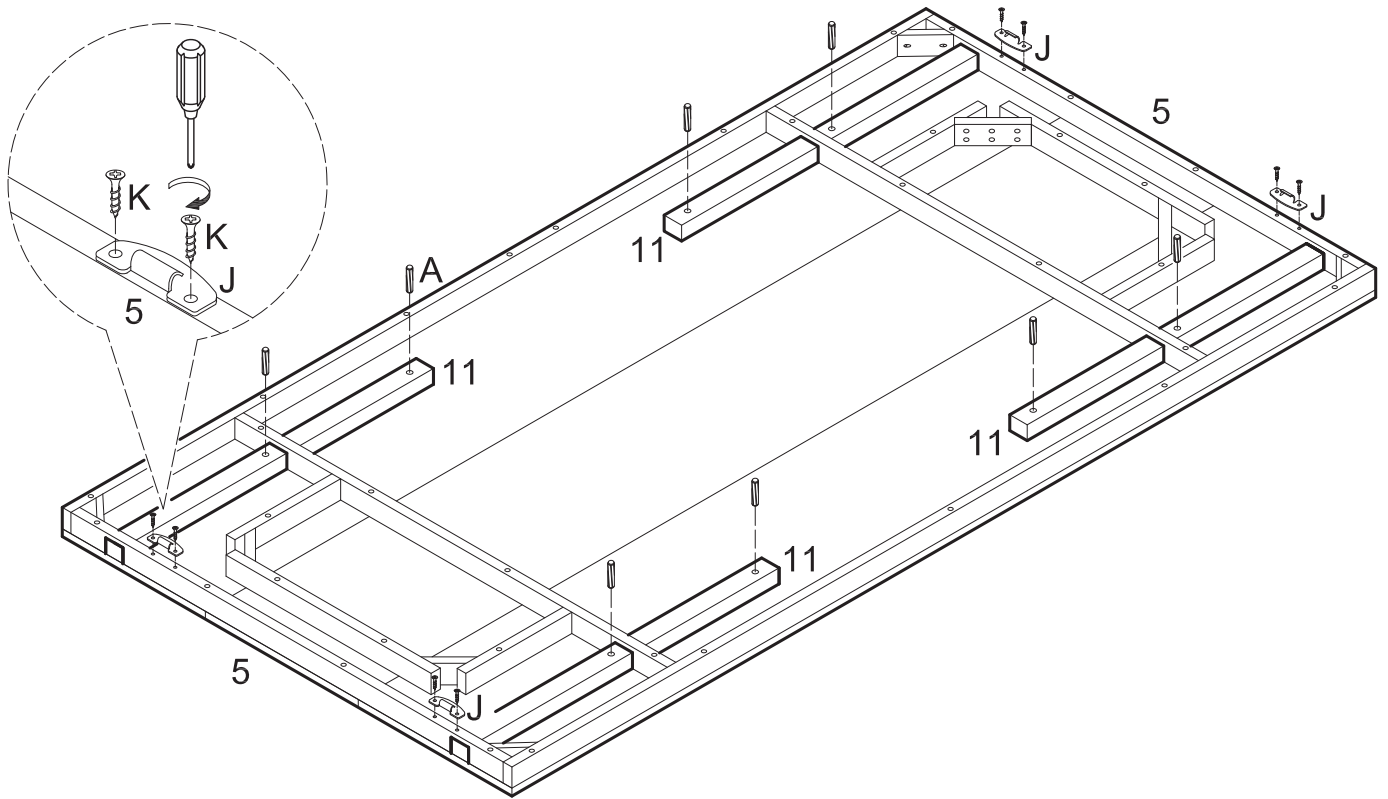
Attach slats (8,9,10) to table top pieces (1,2,3) using screws (C).

Step 10



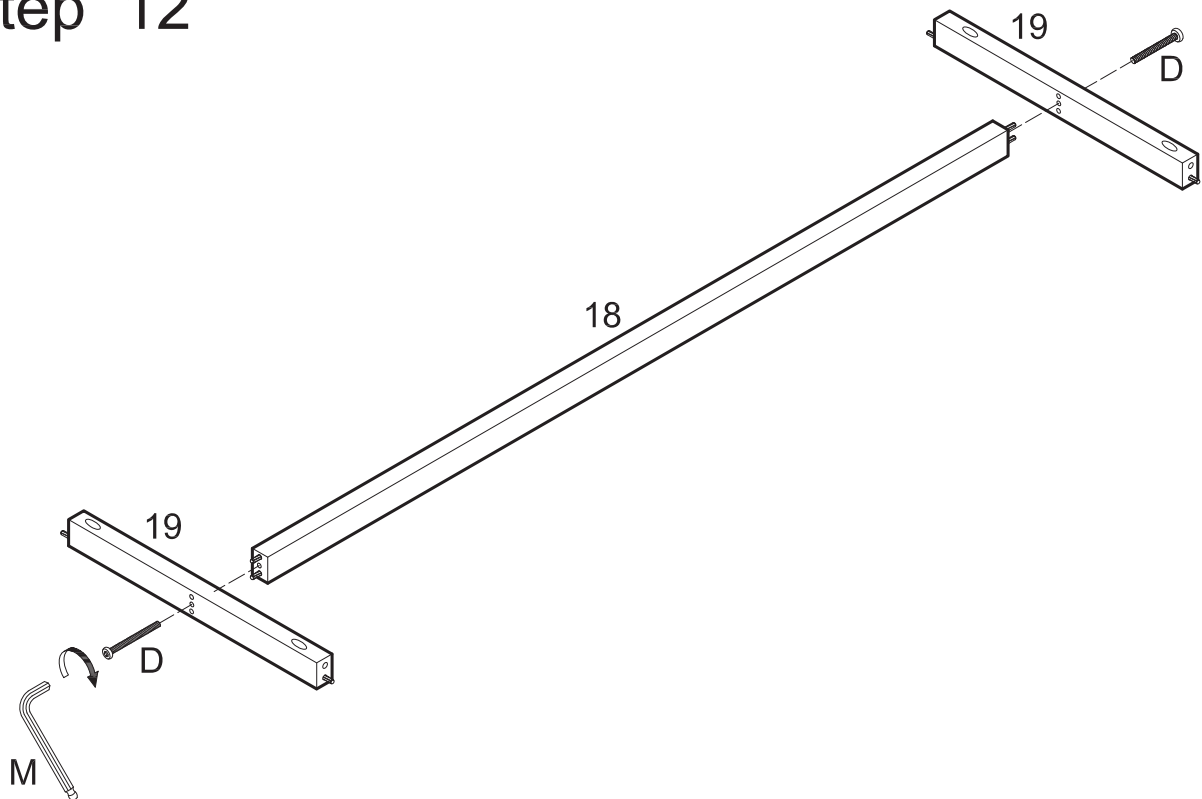
Slide slats (11) into place along table top assembly.

Step 11



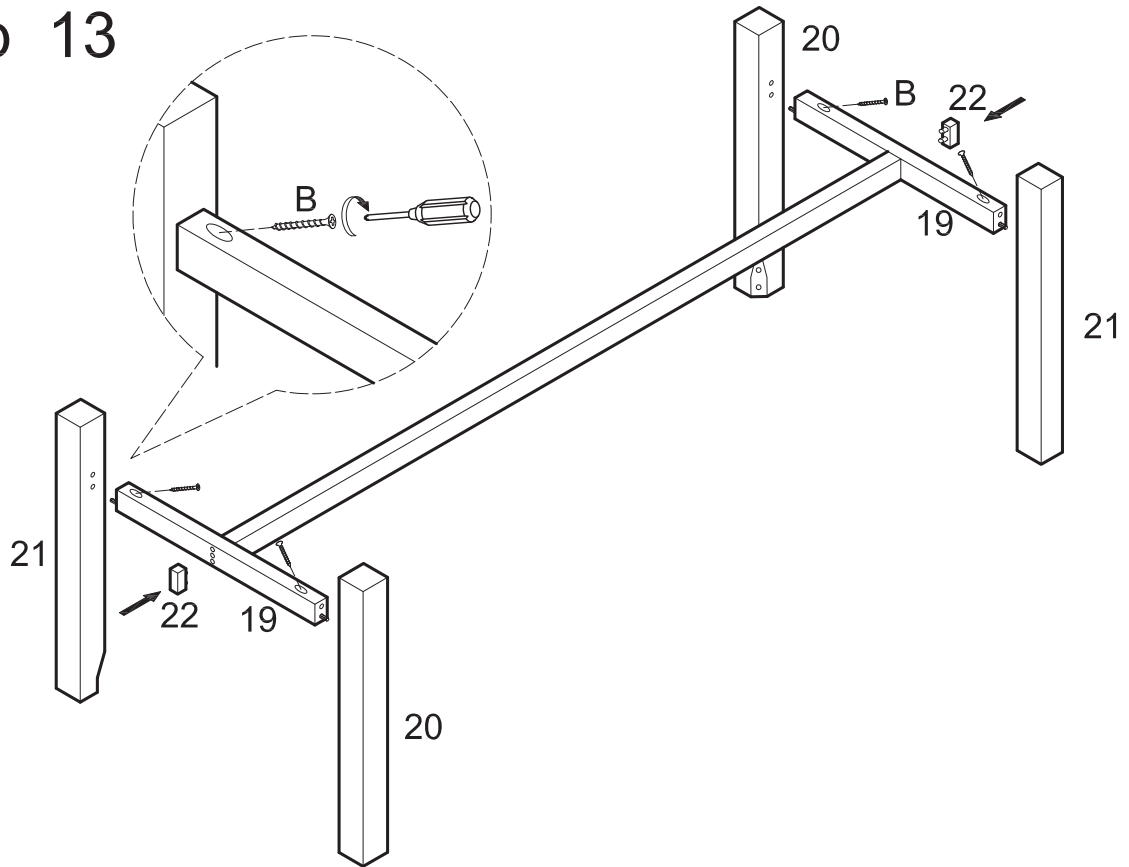
Insert dowels (A) into slats (11). Attach table locks (J) to slats (5) using screws (K).

Step 12



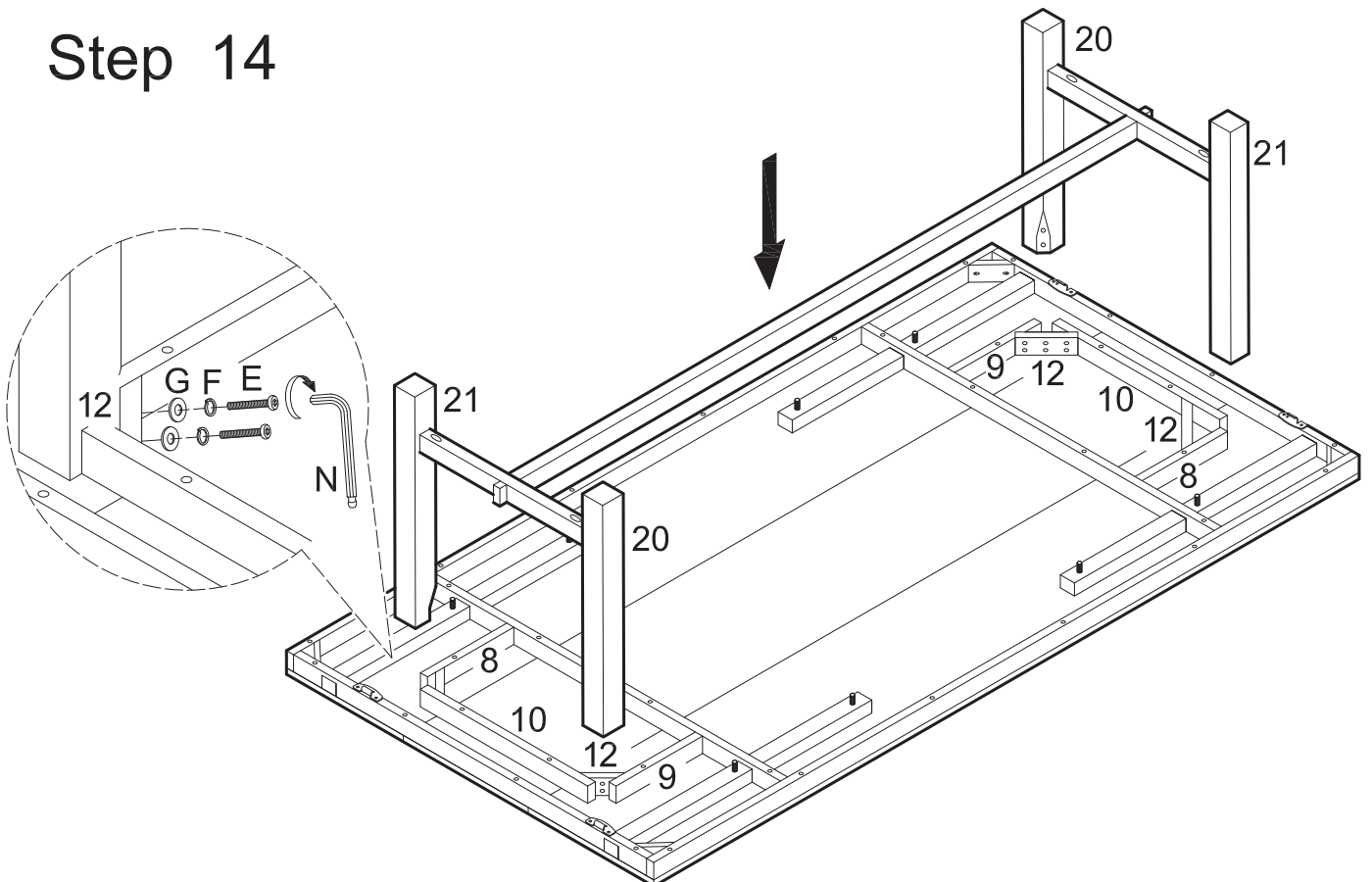
Attach crossbars (19) to crossbar (18) using bolts (D). Tighten bolts (D) with wrench (M).

Step 13



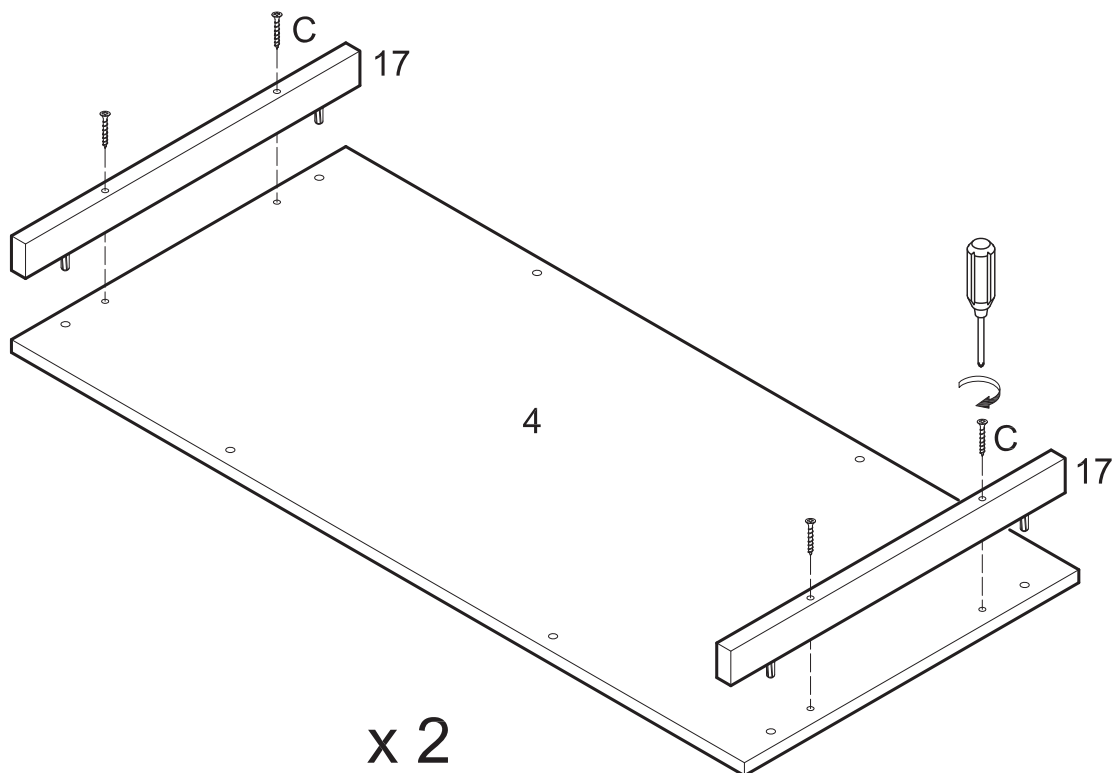
Attach crossbars (19) to legs (20,21) using screws (B). Attach end caps (22) to crossbars (19) using dowels as guides.

Step 14



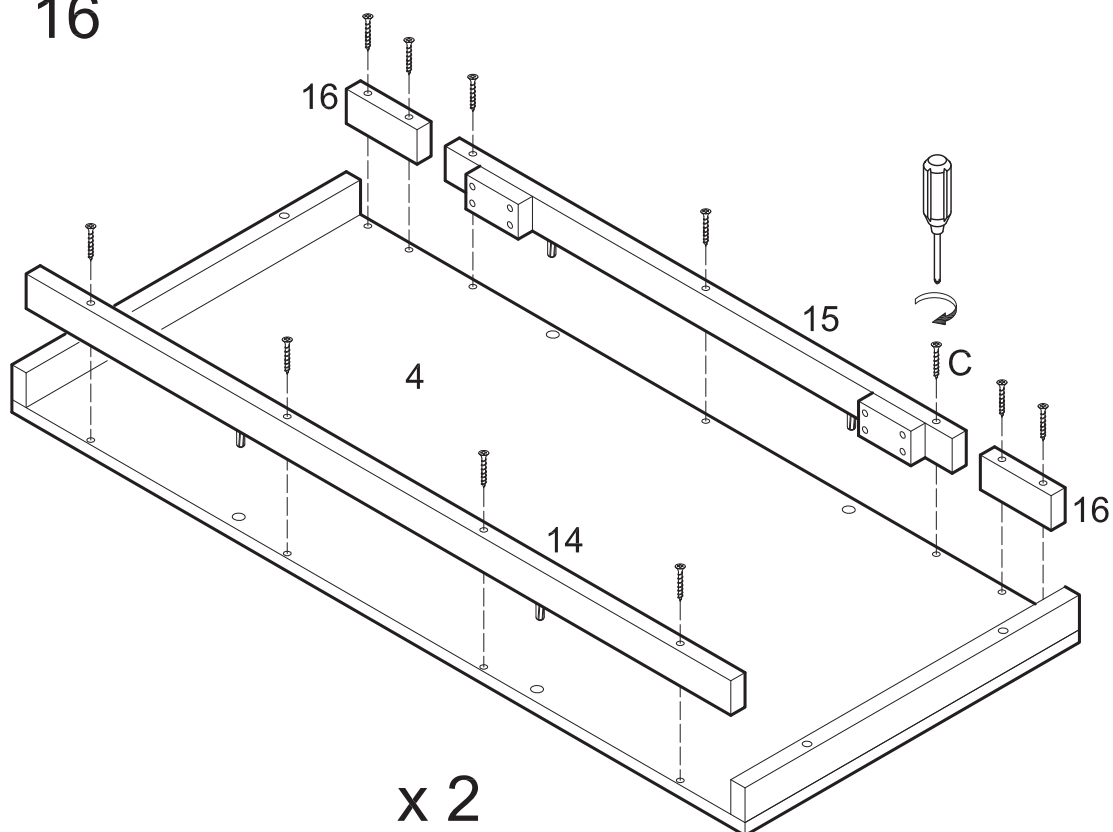
Align legs (20,21) with slats (8,9,10). Attach legs (20,21) to corner blocks (12) using bolts (E), spring washers (F) and washers (G). Tighten all bolts (E) with wrench (N).

Step 15



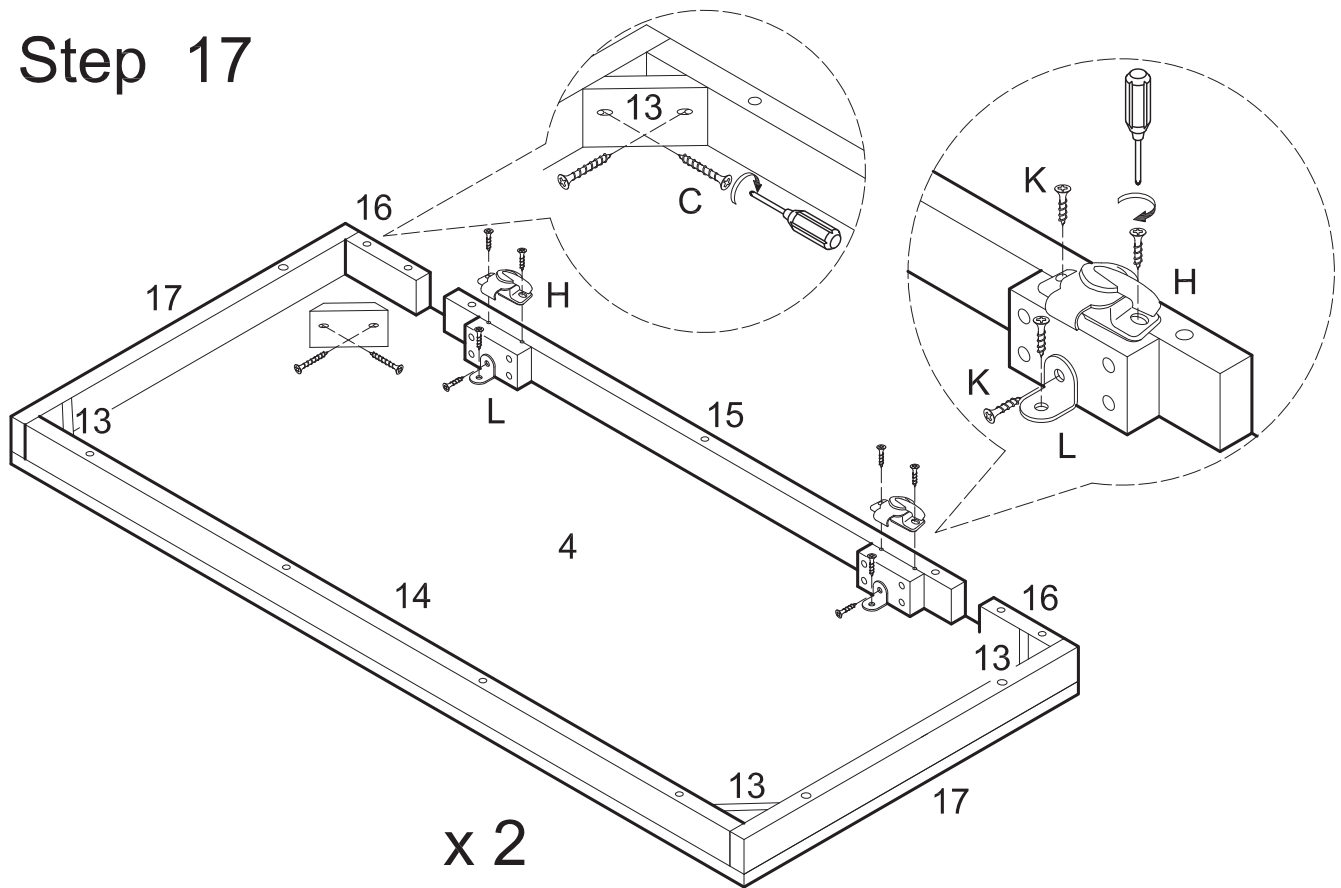
Attach slats (17) to leaf (4) using screws (C). Repeat this step for second leaf (4).

Step 16



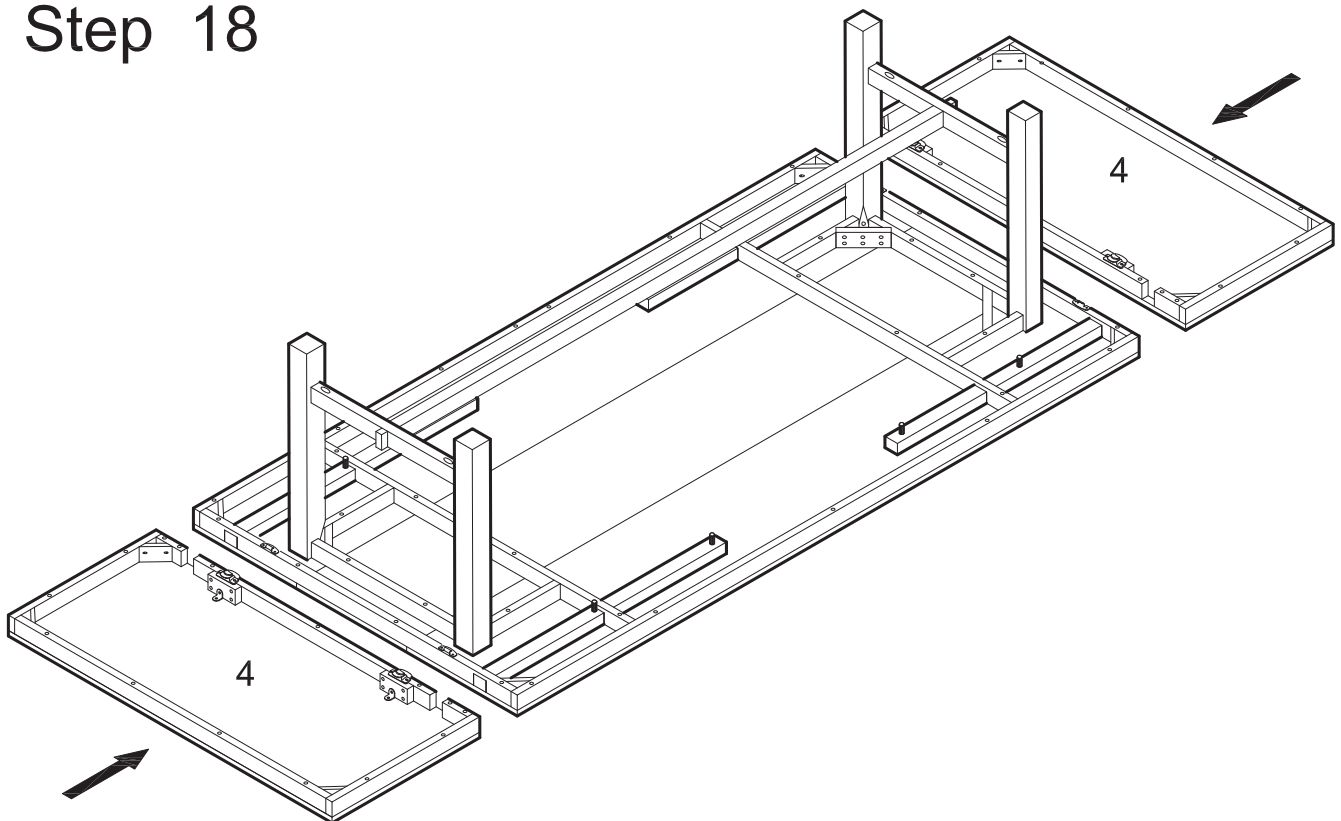
Attach slats (14,15,16) to leaf (4) using screws (C). Repeat this step for second leaf (4).

Step 17



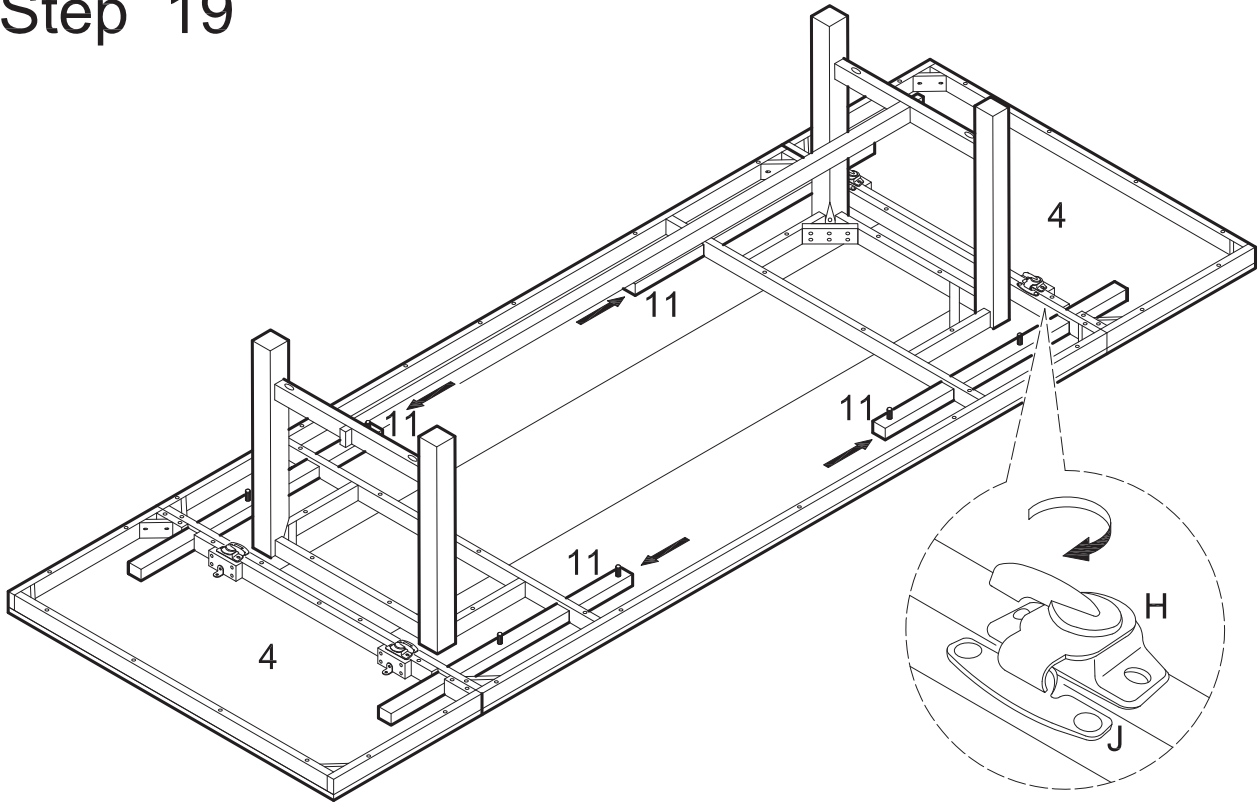
Attach corner blocks (13) to slats (14,16,17) using screws (C). Attach table locks (H) and brackets (L) to slat (15) using screws (K). Repeat this step for second leaf (4).

Step 18



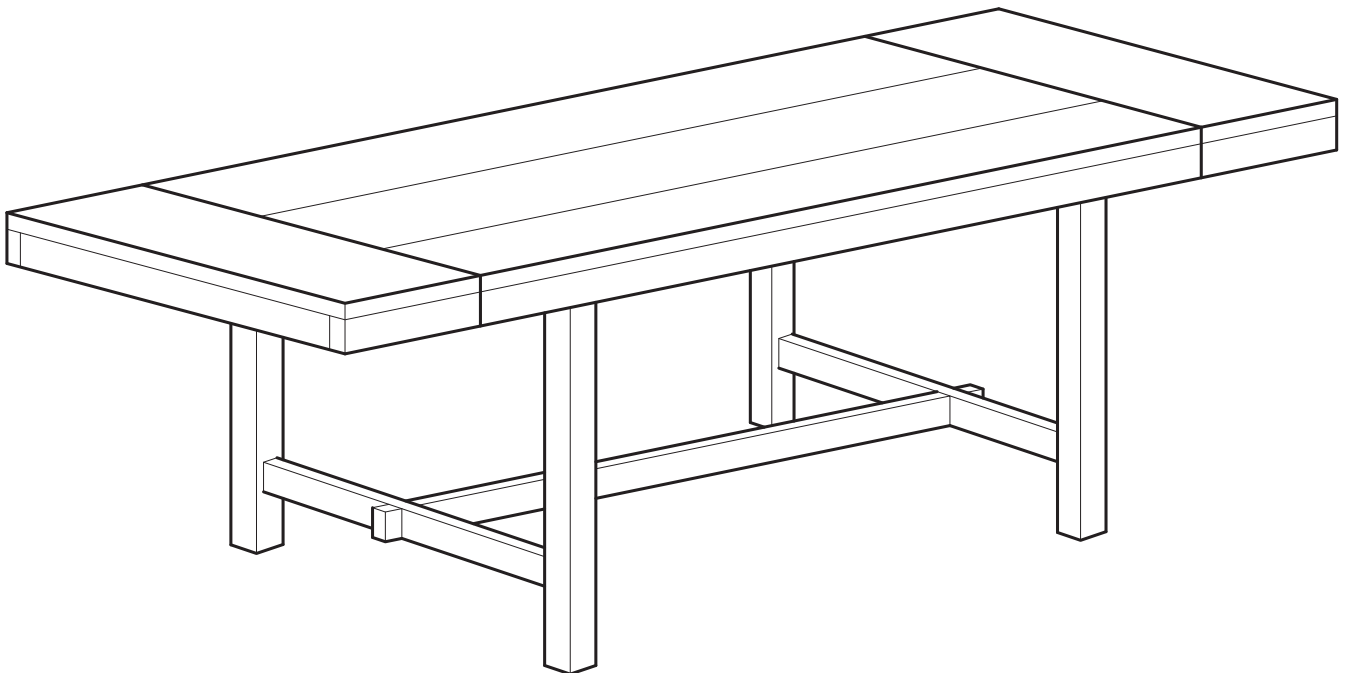
Align leaves (4) with main table assembly.

Step 19



Pull slats (11) through leaves (4). Lock leaves (4) to main table assembly using table lock pieces (H,J).

Step 20



Final Assembly