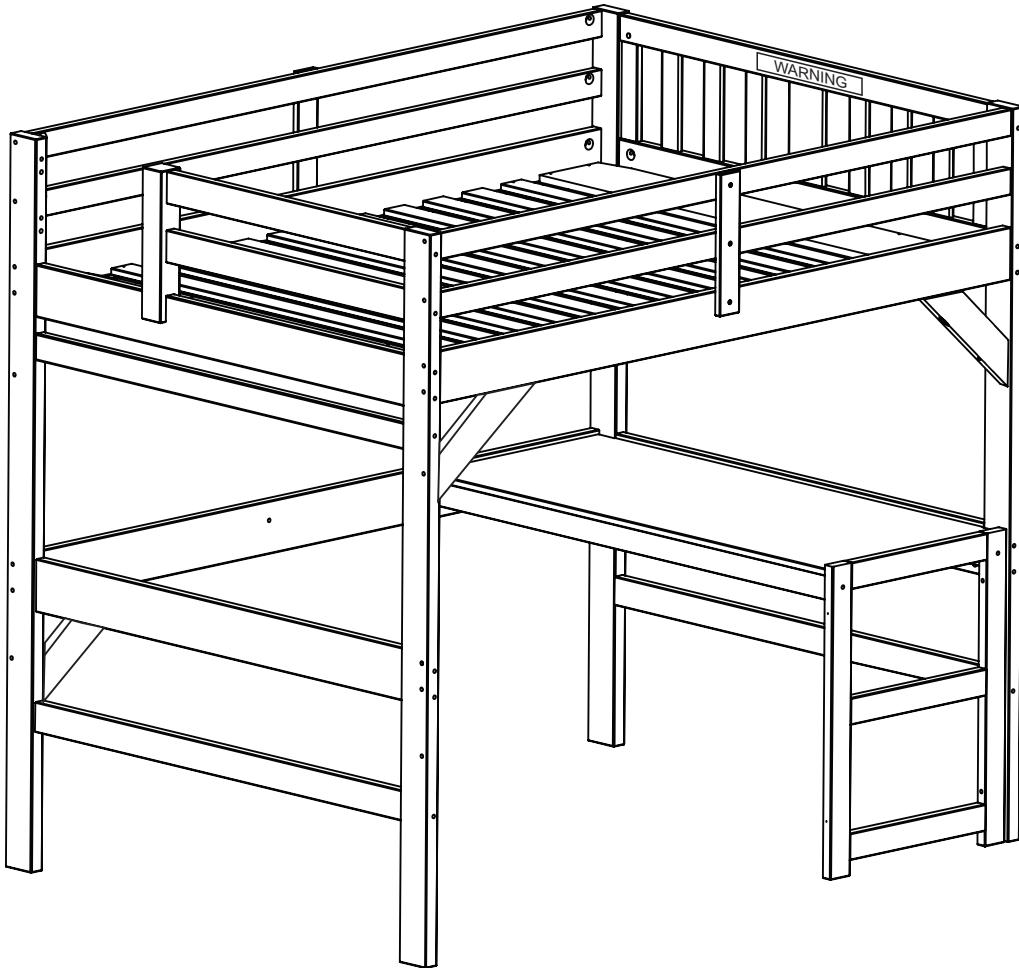


# THE LOFT - FULL



### **SIZE OF MATTRESS**

THIS BED IS DESIGNED TO USE A MATTRESS AND THE ENCLOSED SLAT KIT SYSTEM:

FULL - (74" TO 75") LONG, AND (52.5" TO 53.5") IN WIDTH ON UPPER MATTRESS.

THE TOTAL THICKNESS OF MATTRESS AND FOUNDATION MUST NOT EXCEED 9 1/4". NOTE: THERE MUST BE AT LEAST 5" FROM MATTRESS SLEEPING SURFACE TO TOP EDGE OF GUARDRAIL.

### **REPLACEMENT PARTS**

REPLACEMENT PARTS, INCLUDING ADDITIONAL GUARD RAILS MAY BE OBTAINED FROM ANY OF OUR INNOVATIONS DEALERS.

### **SAFETY WARNINGS**

1. FOLLOW THE INFORMATION ON THE WARNINGS APPEARING ON THE UPPER BUNK END STRUCTURE AND ON THE CARTON. DO NOT REMOVE WARNING LABEL FROM BED.
2. ALWAYS USE THE RECOMMENDED SIZE MATTRESS OR MATTRESS SUPPORT, OR BOTH, TO HELP PREVENT THE LIKELIHOOD OF ENTRAPMENT OR FALLS.
3. SURFACE OF MATTRESS MUST BE AT LEAST 5 INCHES BELLOW THE UPPER EDGE OF GUARDRAILS.
4. DO NOT ALLOW CHILDREN UNDER 6 YEARS OF AGE TO USE THE UPPER BUNK.
5. PERIODICALLY CHECK AND ENSURE THAT THE GUARD RAIL, LADDER, AND OTHER COMPONENTS ARE IN THEIR PROPER POSITION, FREE FROM DAMAGE, AND THAT ALL CONNECTORS ARE TIGHT.
6. DO NOT ALLOW HORSEPLAY ON OR UNDER THE BED AND PROHIBIT JUMPING ON THE BED.
7. ALWAYS USE THE LADDER FOR ENTERING OR LEAVING THE UPPER BUNK.
8. DO NOT USE SUBSTITUTE PARTS. CONTACT MANUFACTURER OR DEALER FOR REPLACEMENT PARTS.
9. USE OF A NIGHT LIGHT MAY PROVIDE ADDED SAFETY PRECAUTION FOR A CHILD USING THE UPPER BUNK.
10. ALWAYS USE GUARD RAILS ON BOTH LONG SIDES OF THE UPPER BUNK.
11. IF THE BUNK BED WILL BE PLACED NEXT TO A WALL, THE GUARD RAIL THAT RUNS THE FULL LENGTH OF THE BED SHOULD BE PLACED AGAINST THE WALL TO PREVENT ENTRAPMENT BETWEEN THE BED AND THE WALL.
12. PROHIBIT MORE THAN ONE PERSON ON THE UPPER BUNK.
13. THE USE OF WATER OR SLEEP FLOTATION MATTRESSES IS PROHIBITED.
14. KEEP THESE INSTRUCTIONS FOR FUTURE REFERENCE.

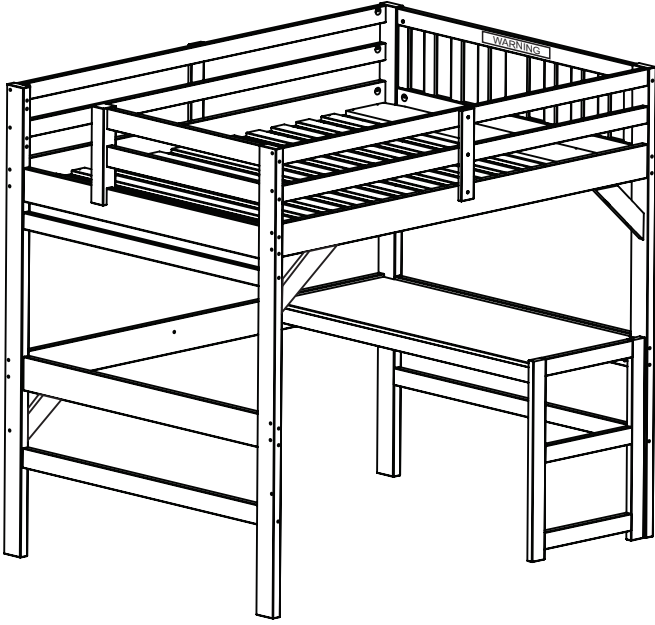
**STRANGULATION HAZARD** – NEVER ATTACH OR HANG ITEMS TO ANY PART OF THE BUNK BED THAT ARE NOT DESIGNED FOR USE WITH THE BED: FOR EXAMPLE, BUT NOT LIMITED TO HOOKS, BELTS AND JUMP ROPES.

### **INNOVATIONS**

**P.O BOX 2079**

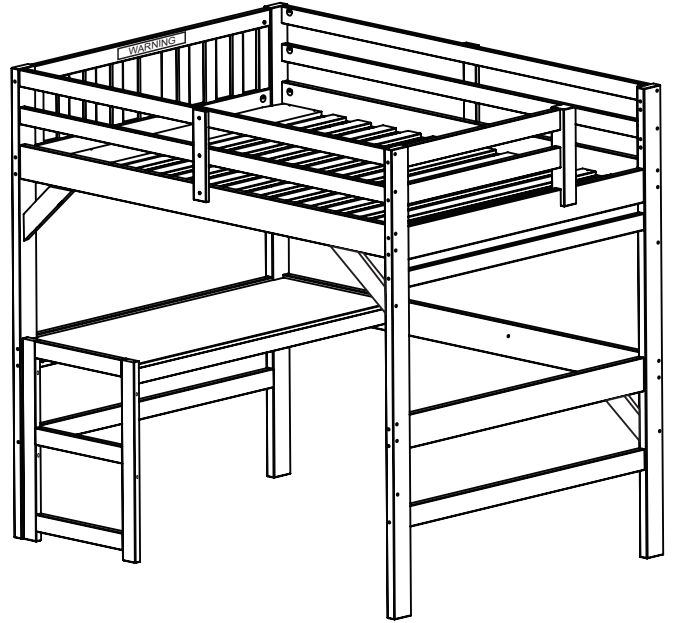
**HARTFORD, CT 06145**

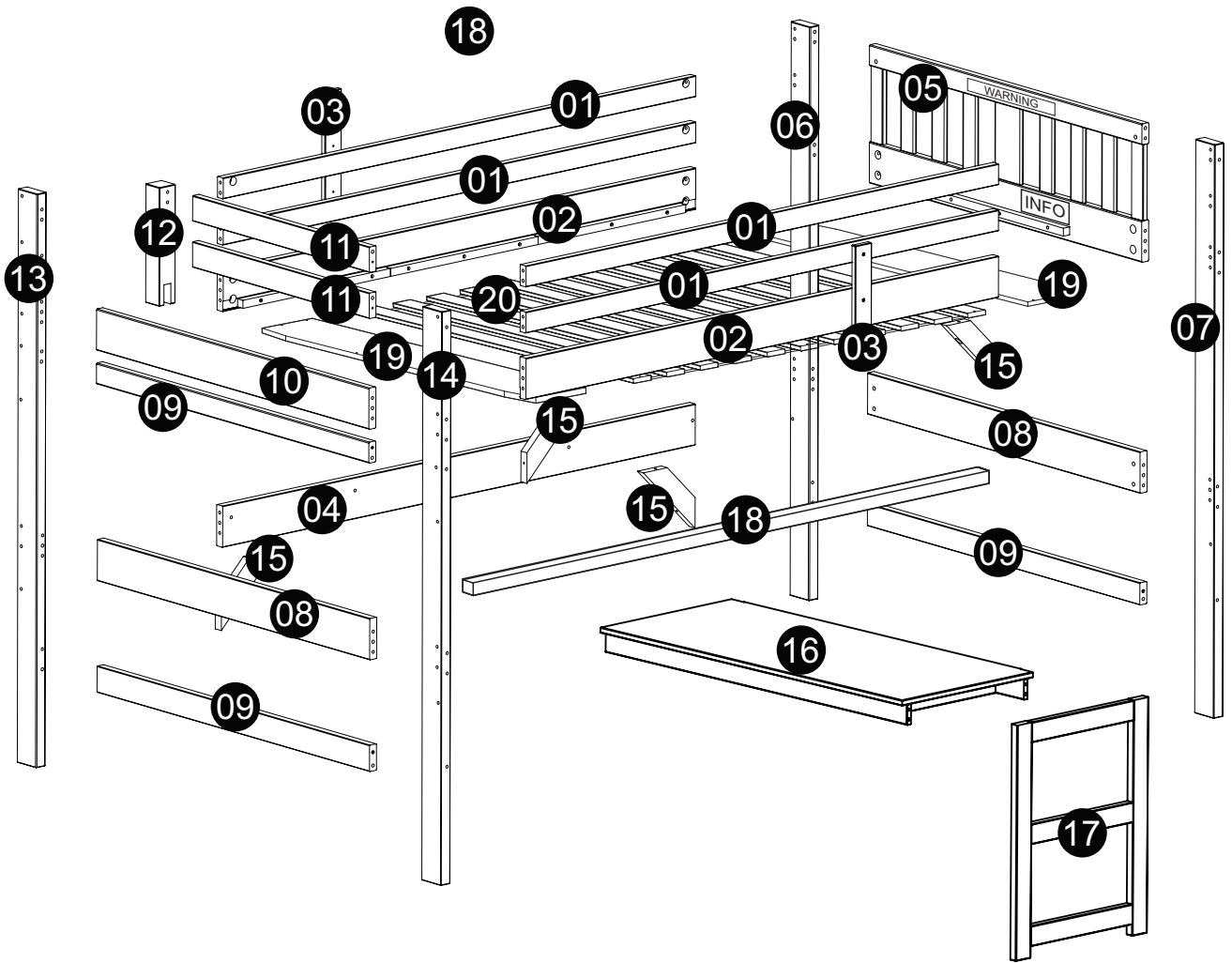
Desk right

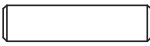




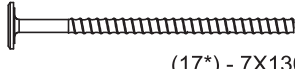
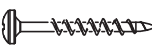








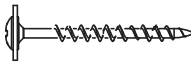




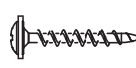
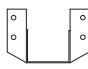
or

Desk left



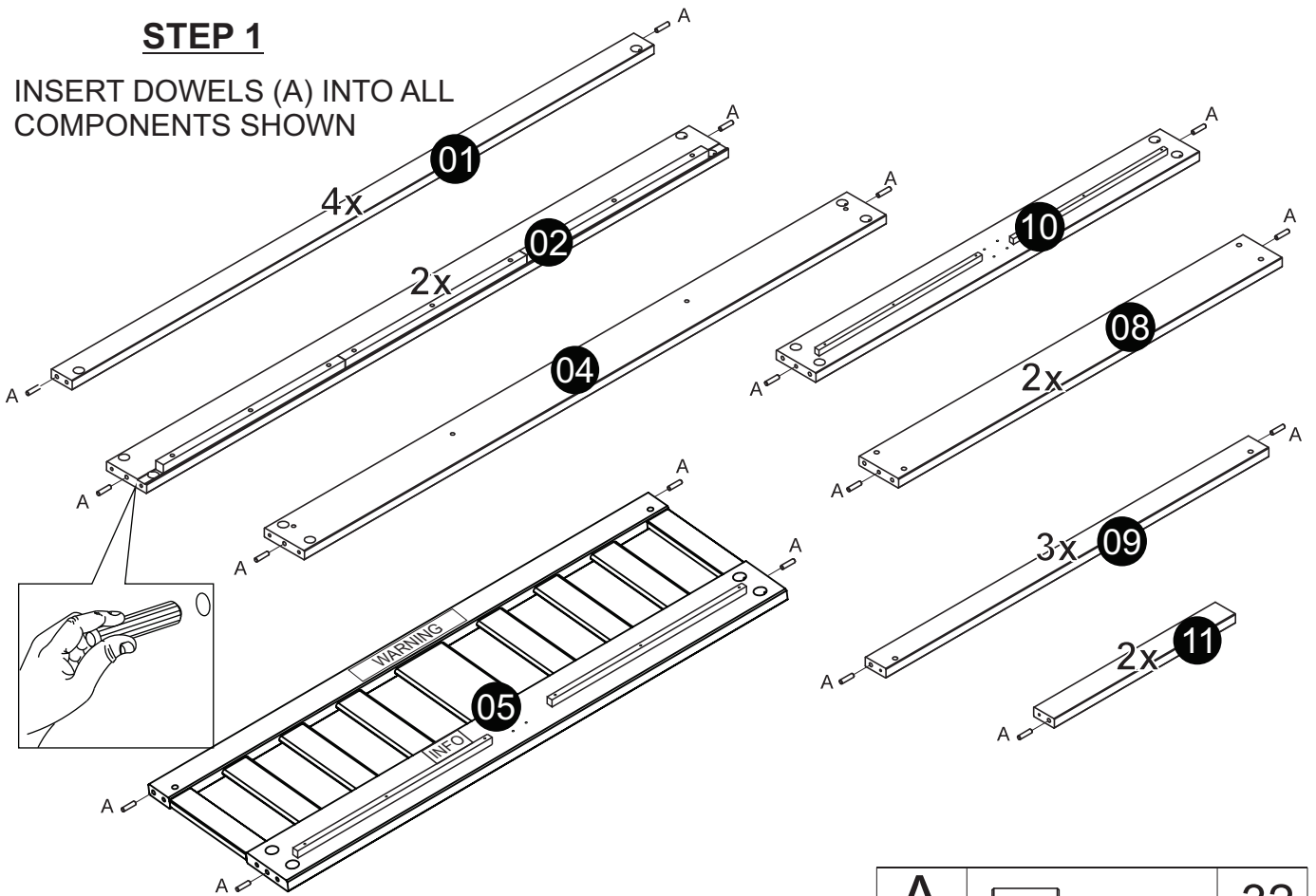


A		10X40	32
B		(17*) - 1/4X130	24
C		15X40X4	02
D		1/4X25	28
E		11X19	16
F		(17*) - 7X130	02
G		CP 4X30*	08
H		(17*) - 7x80	08
I		(17*) - 7x70	04
J		8X30	02

K		CC 4X35	21
L		(17*) - 1/4X80	20
M		(17*) - 7x100	04
N		CF 4,5x50	02
O		(17*) 3/16X12	18
P		3/16X78	02
Q		3/16X25	05
R		3/16X15	02
S		CF 4X20	12
T			02

## STEP 1

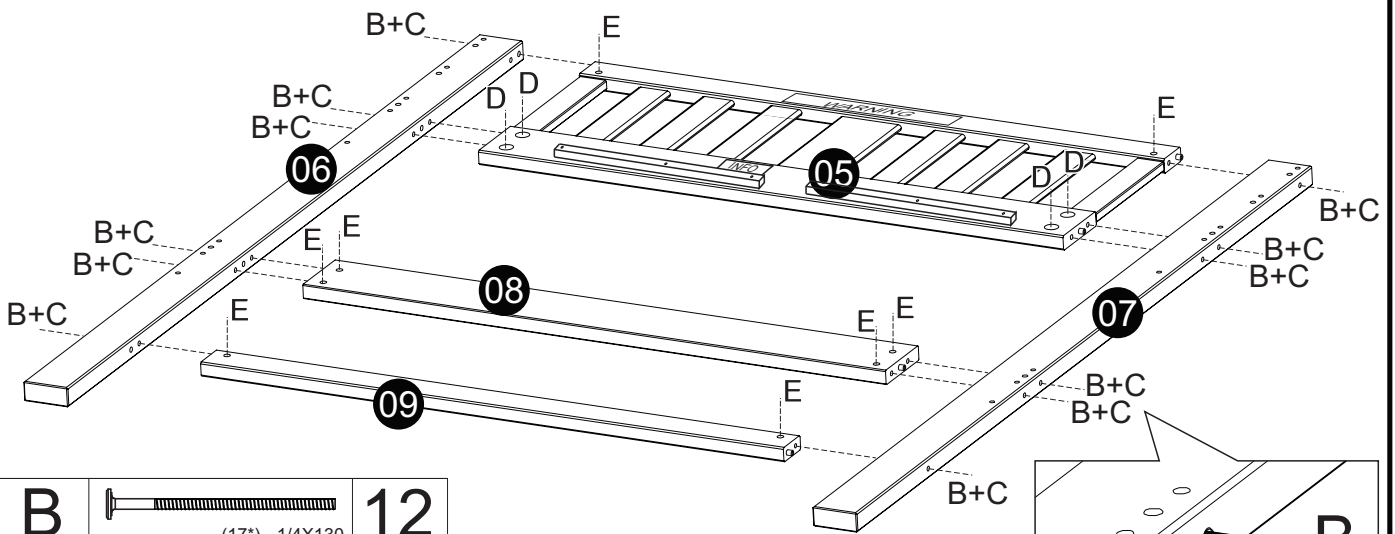
INSERT DOWELS (A) INTO ALL COMPONENTS SHOWN

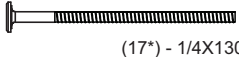





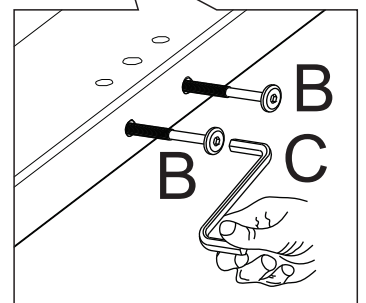
<b>A</b>		10X40	<b>32</b>
----------	---	-------	-----------

## STEP 2

ATTACH POSTS (06 & 07) TO PANEL (05) & CROSS BOARDS (08 & 09).  
TIGHTEN ACCORDINGLY WITH BOLTS (B) AND NUTS (D & E).

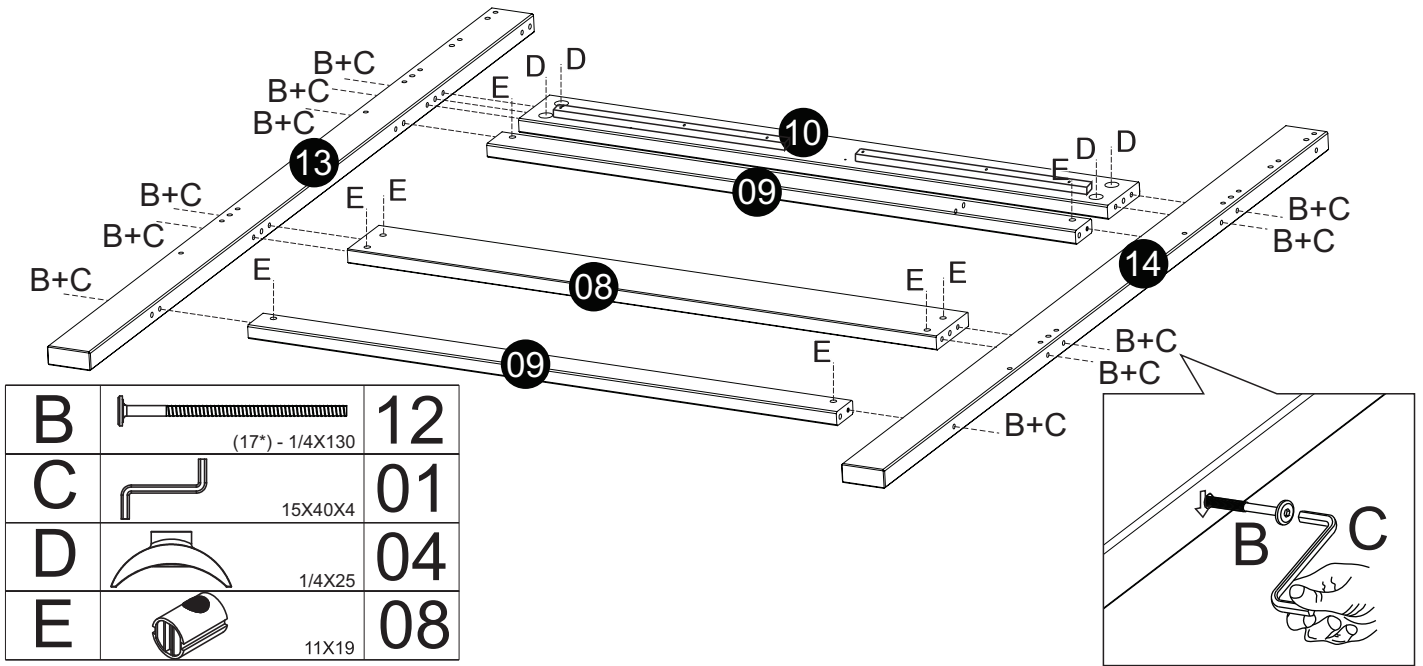


<b>B</b>	 (17*) - 1/4X130	<b>12</b>
<b>C</b>	 15X40X4	<b>01</b>
<b>D</b>	 1/4X25	<b>04</b>
<b>E</b>	 11X19	<b>08</b>



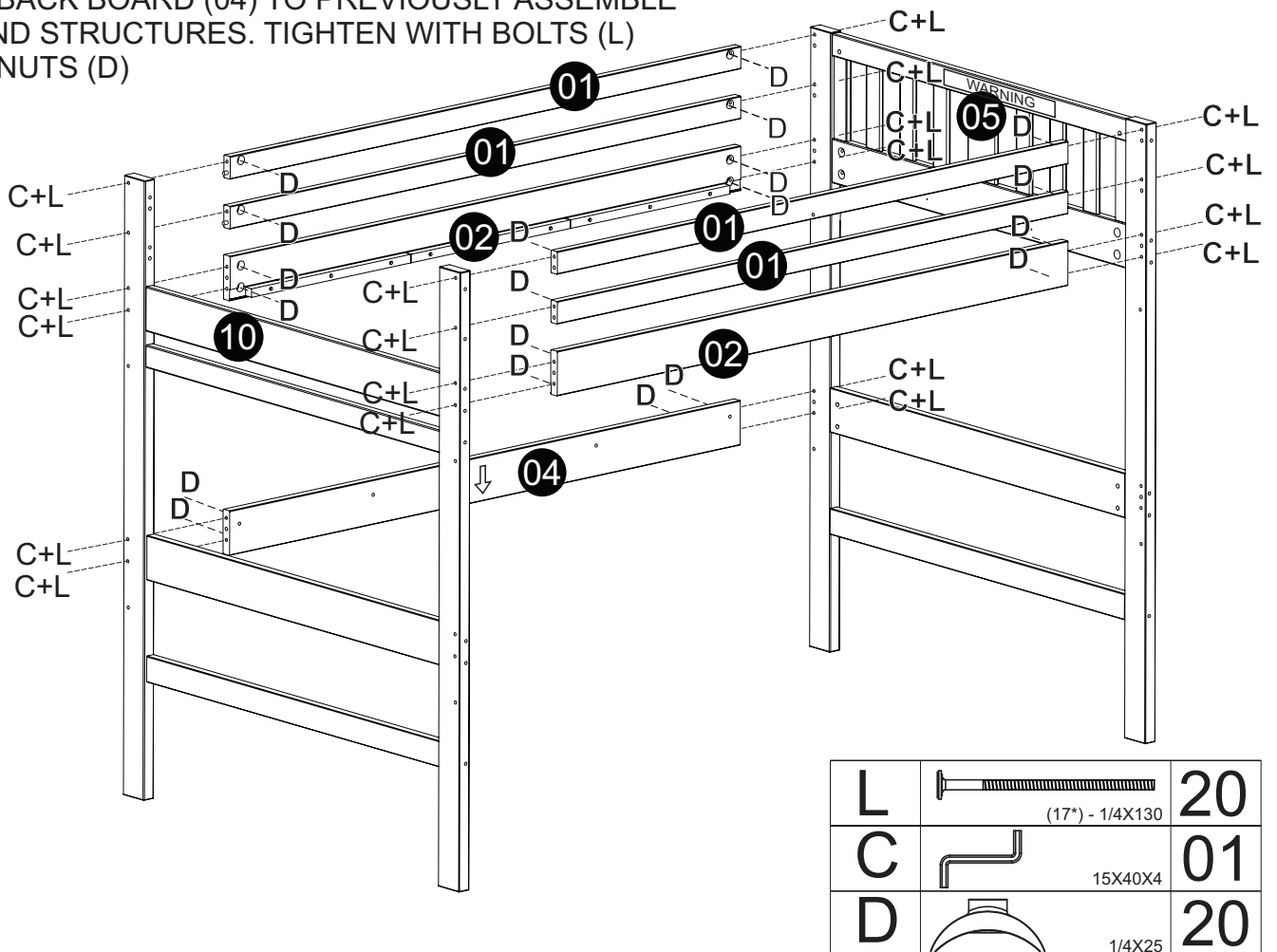
### STEP 3

ATTACH POSTS (13 & 14) TO CROSS BOARDS (08, 09x2, & 10).  
TIGHTEN ACCORDINGLY WITH BOLTS (B) AND NUTS (D & E).



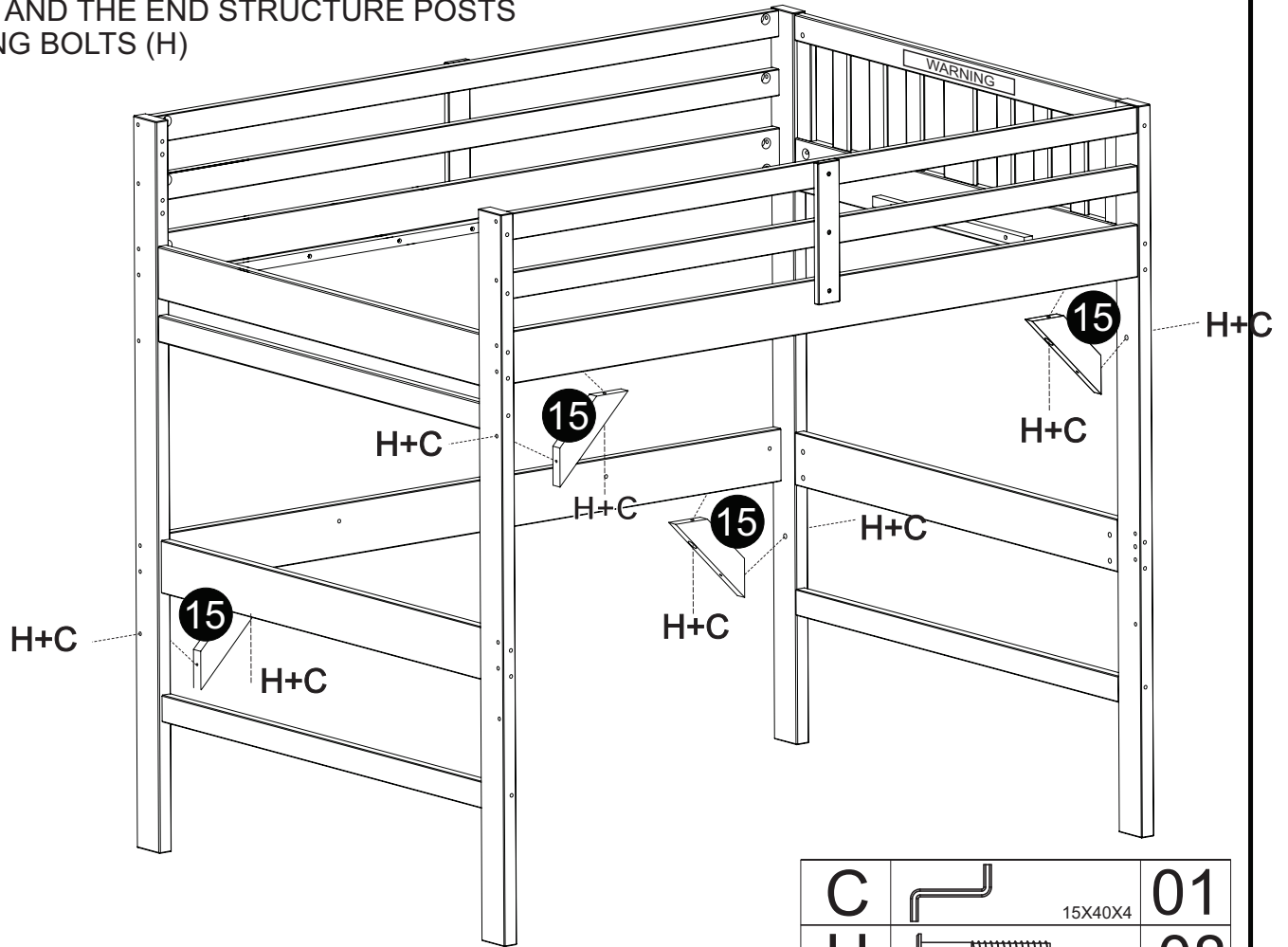
### STEP 4

ATTACH GUARDRAILS (01 x4), SIDERAILS (02 x2), & BACK BOARD (04) TO PREVIOUSLY ASSEMBLE END STRUCTURES. TIGHTEN WITH BOLTS (L) & NUTS (D)



## STEP 5

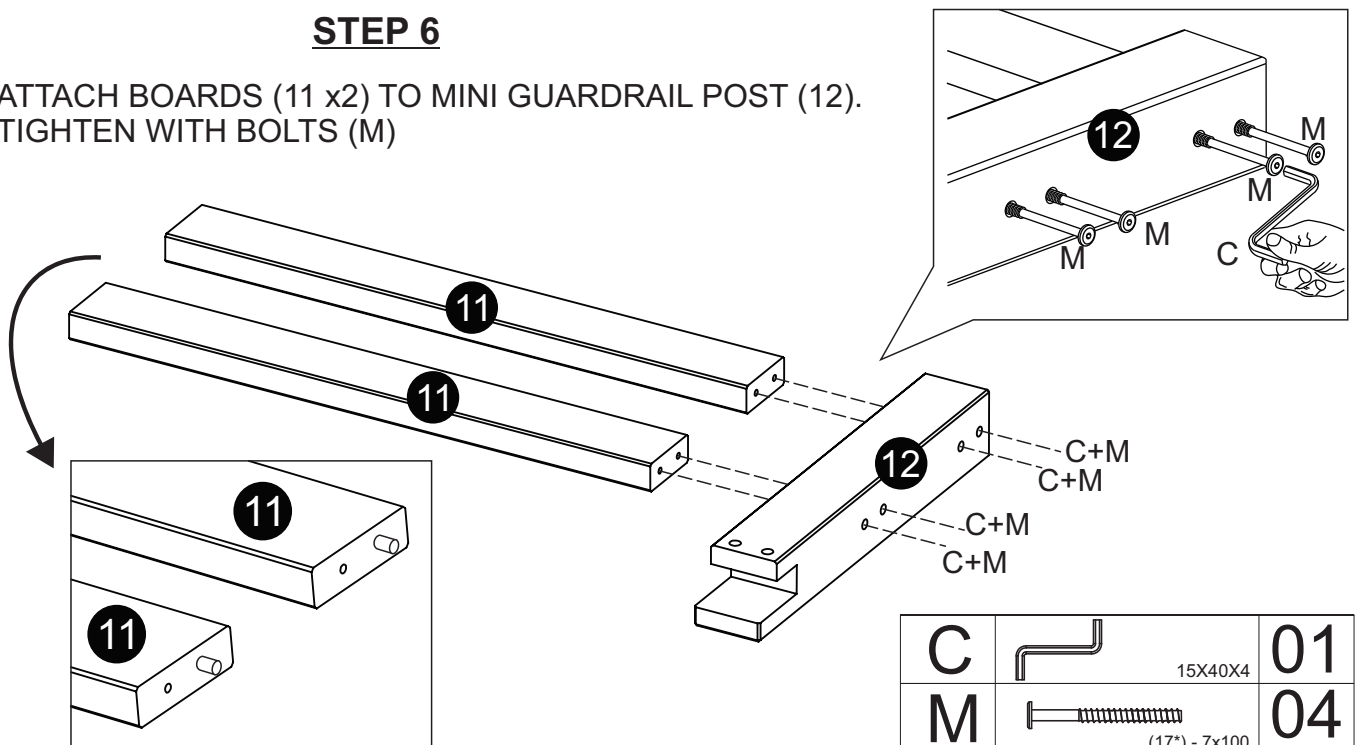
ATTACH ANGLE SUPPORTS (15x4)  
TO BACK BOARD (04) FRONT SIDERAIL  
(02), AND THE END STRUCTURE POSTS  
USING BOLTS (H)



C		15X40X4	01
H		(17*) - 7x80	08

## STEP 6

ATTACH BOARDS (11 x2) TO MINI GUARDRAIL POST (12).  
TIGHTEN WITH BOLTS (M)

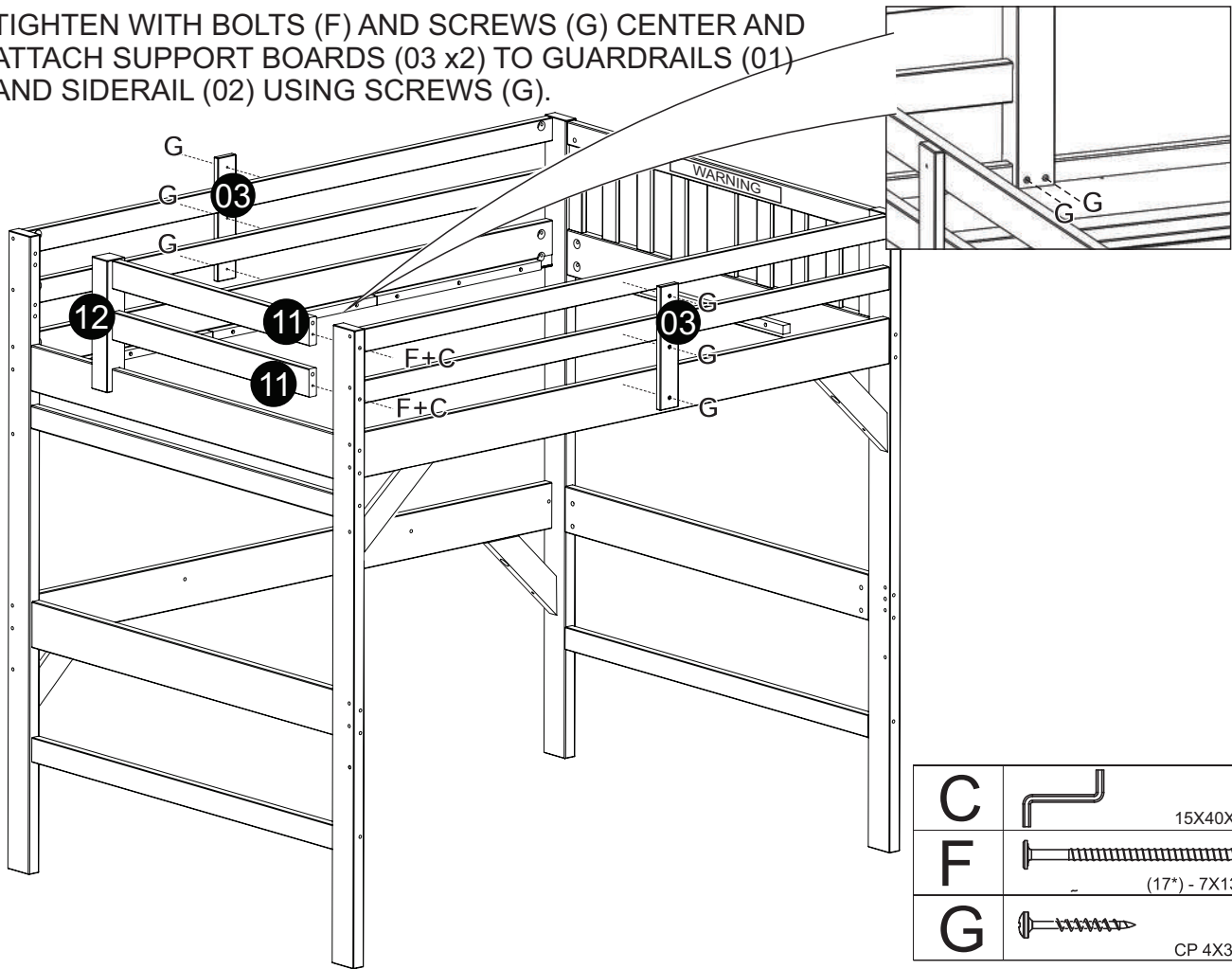



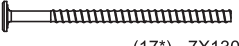
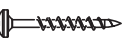
C		15X40X4	01
M		(17*) - 7x100	04

## STEP 7

ATTACH ASSEMBLED MINI GUARDRAIL TO EITHER POST (13 OR 14) DEPENDING ON YOUR LOFT ORIENTATION.

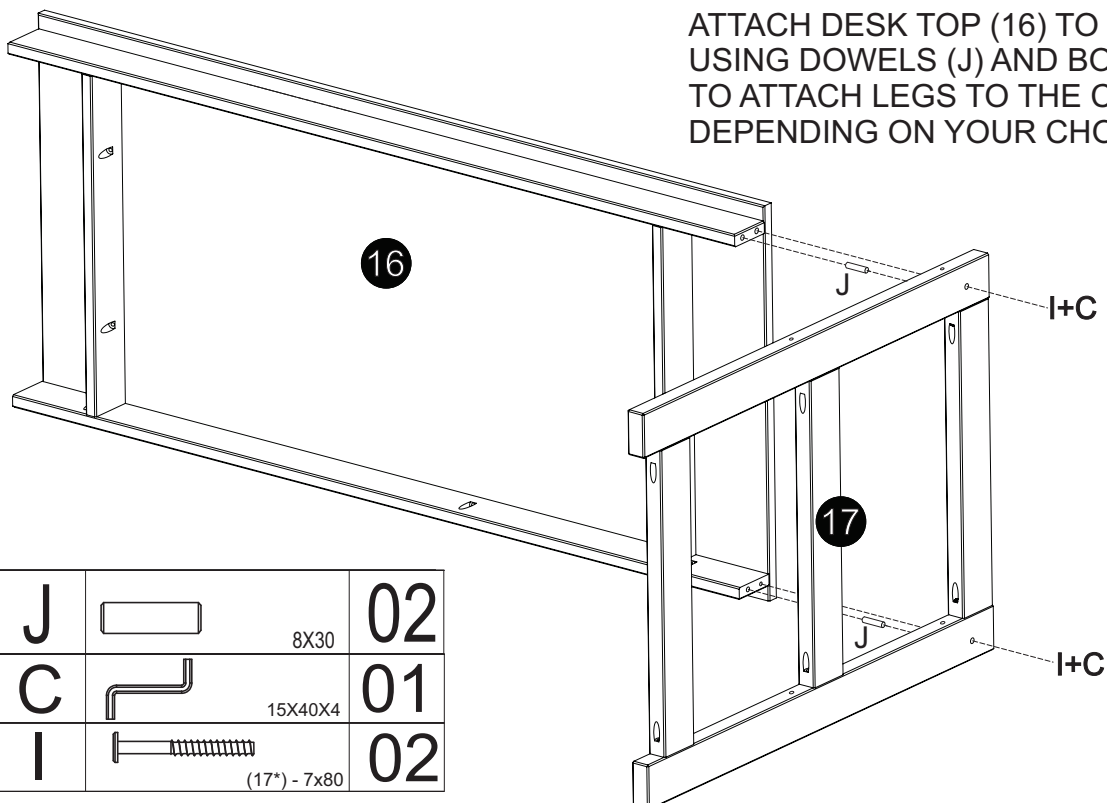
TIGHTEN WITH BOLTS (F) AND SCREWS (G) CENTER AND ATTACH SUPPORT BOARDS (03 x2) TO GUARDRAILS (01) AND SIDERAIL (02) USING SCREWS (G).

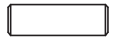

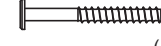


C		15X40X4	01
F		(17*) - 7X130	02
G		CP 4X30*	08

## STEP 8

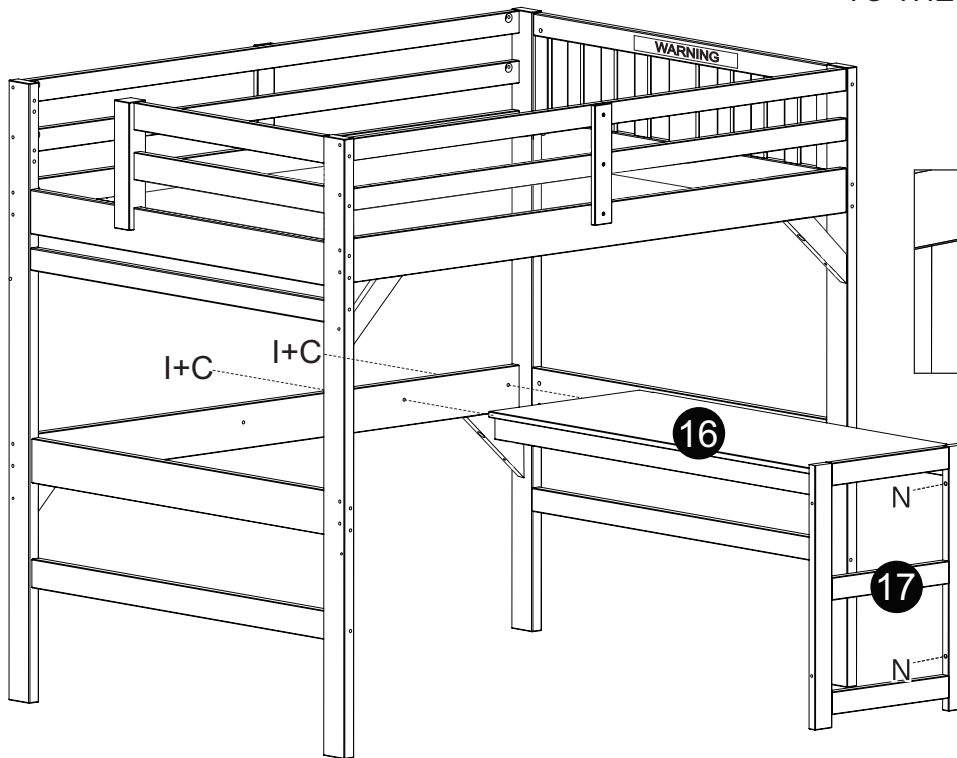
ATTACH DESK TOP (16) TO DESK LEGS (17) USING DOWELS (J) AND BOLTS (I). BE SURE TO ATTACH LEGS TO THE CORRECT END DEPENDING ON YOUR CHOSEN ORIENTATION.



J		8X30	02
C		15X40X4	01
I		(17*) - 7x80	02

## STEP 9

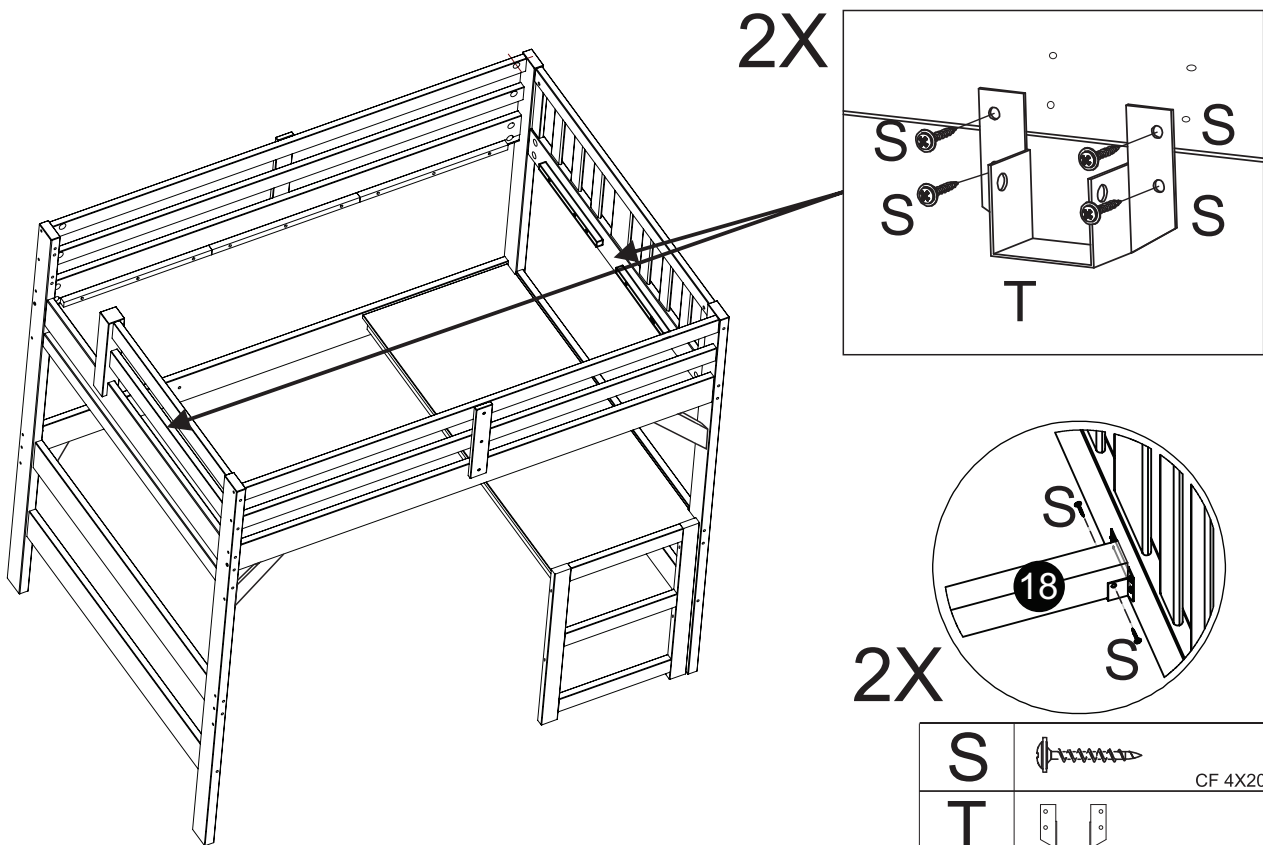
ATTACH DESK TOP (16) TO BACK BOARD (04) USING BOLTS (I).  
 THEN SECURE DESK LEGS (17) TO THE END POST USING SCREWS (N)



N		CF 4X50	02
C		15X40X4	01
I		(17") - 7x70	02

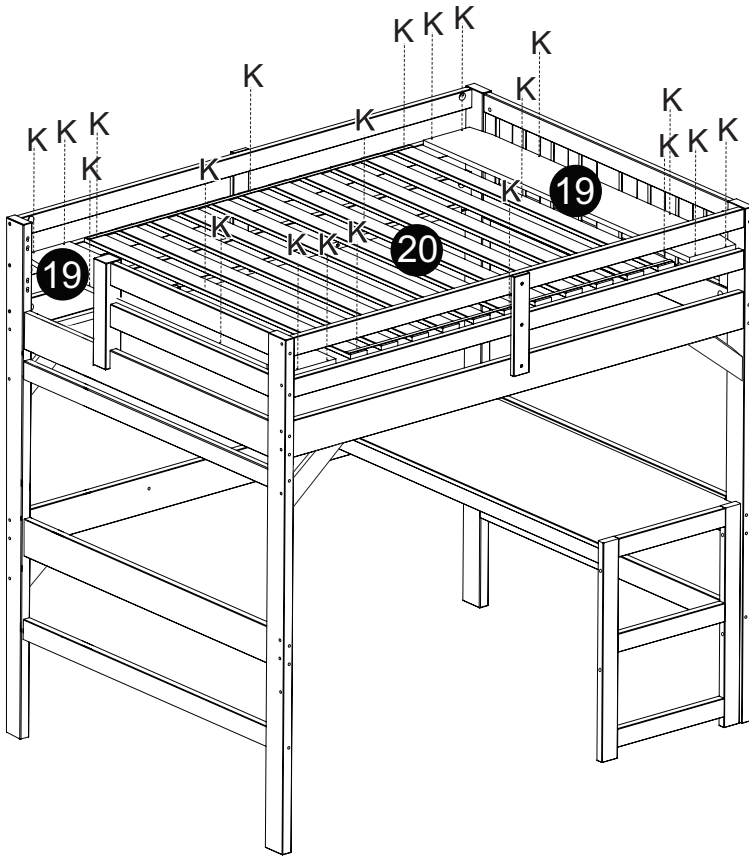
## STEP 10

ATTACH CENTER SUPPORT BRACKETS (T) TO BOTH END STRUCTURES WITH SCREWS (S)  
 INSERT CENTER SUPPORT (18) INTO SUPPORT BRACKETS. SECURE WITH SCREWS (S).




S		CF 4X20	12
T			02

## STEP 11







ATTACH SLAT BOARDS ENDS (19 x2) TIGHT TO BOTH END STRUCTURES USING SCREWS (K). THEN ATTACH SLAT KIT (20) USING SCREWS (K) KEEP 3" FROM EACH END SLAT BOARD.

K		CC 4X35	21
---	---	---------	----

## STEP 12

INSERT HOLE COVER BOLTS TO UNUSED HOLES, INSERT CORRESPONDING THREADS (P, Q & R) TO SLEEVE BOLT ENDS (O)

O		(17*) 3/16X12	18
P		3/16X78	02
Q		3/16X25	05
R		3/16X15	02

