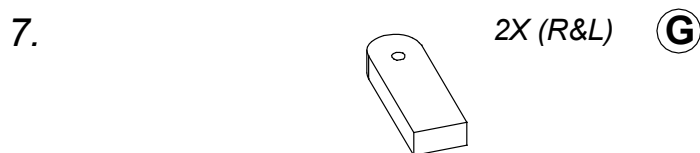
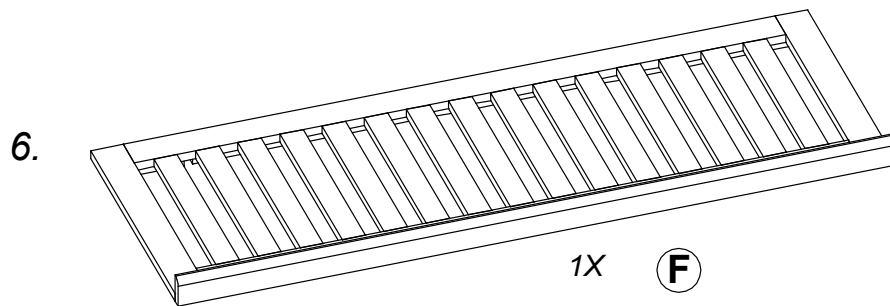
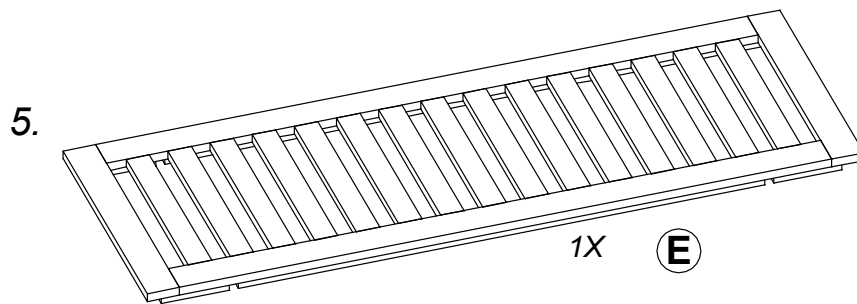
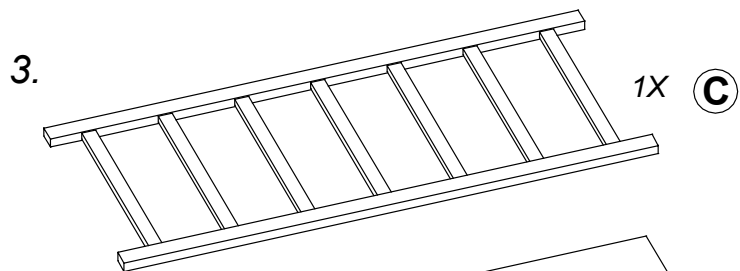
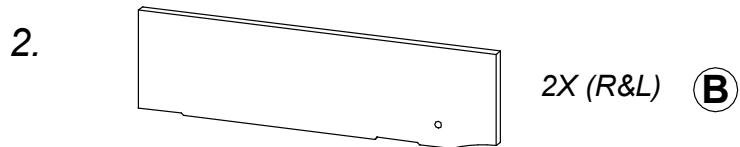
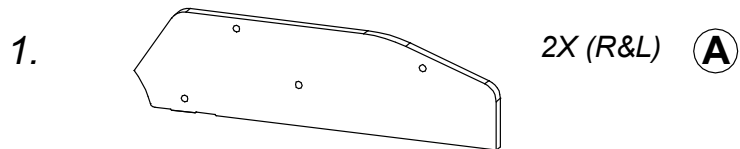


Assembling Instruction OKINAWA

Part :



Hardware :



JCBC 6 x 50 = 8 pcs



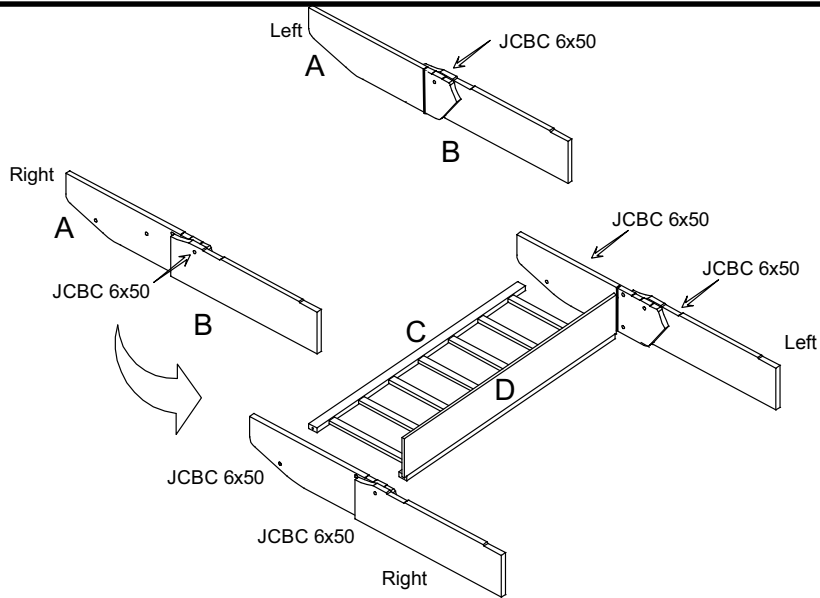
JCBC 6 x 60 = 8 pcs



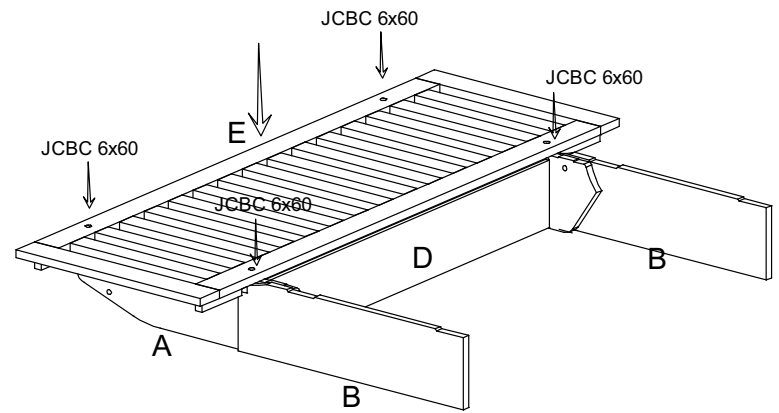
L Key 4 x 70 = 1 pc

Assembling Instruction OKINAWA

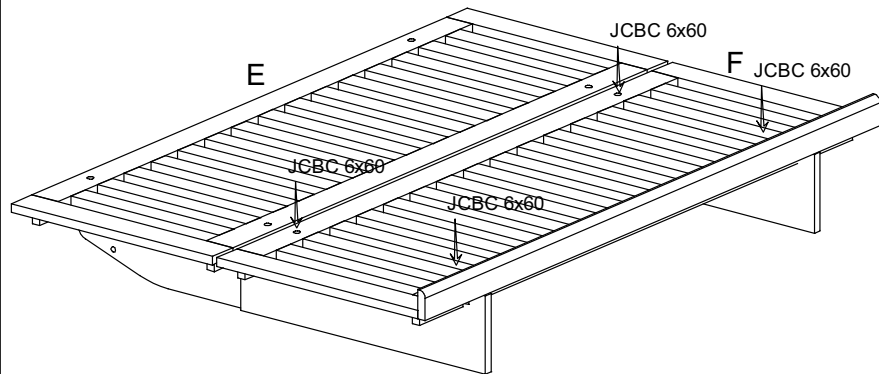
1.



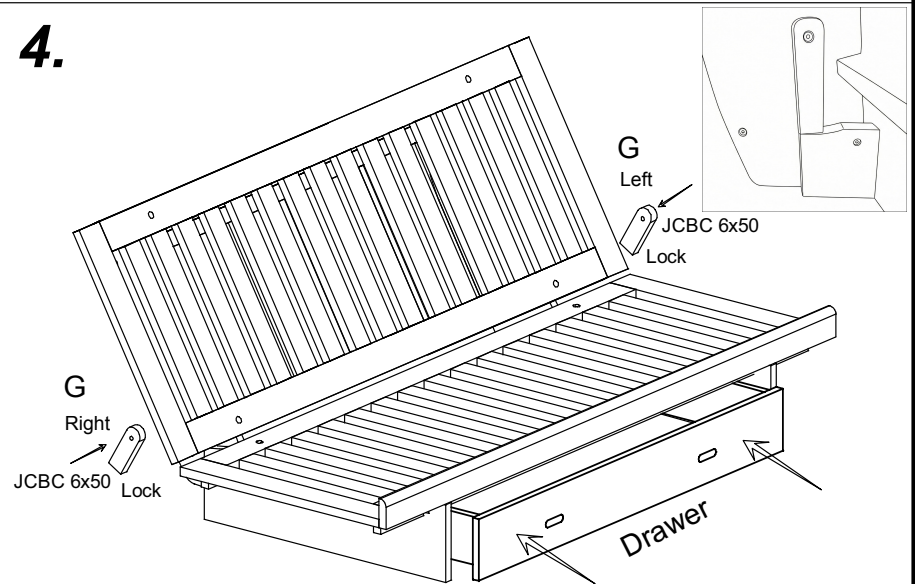
2.



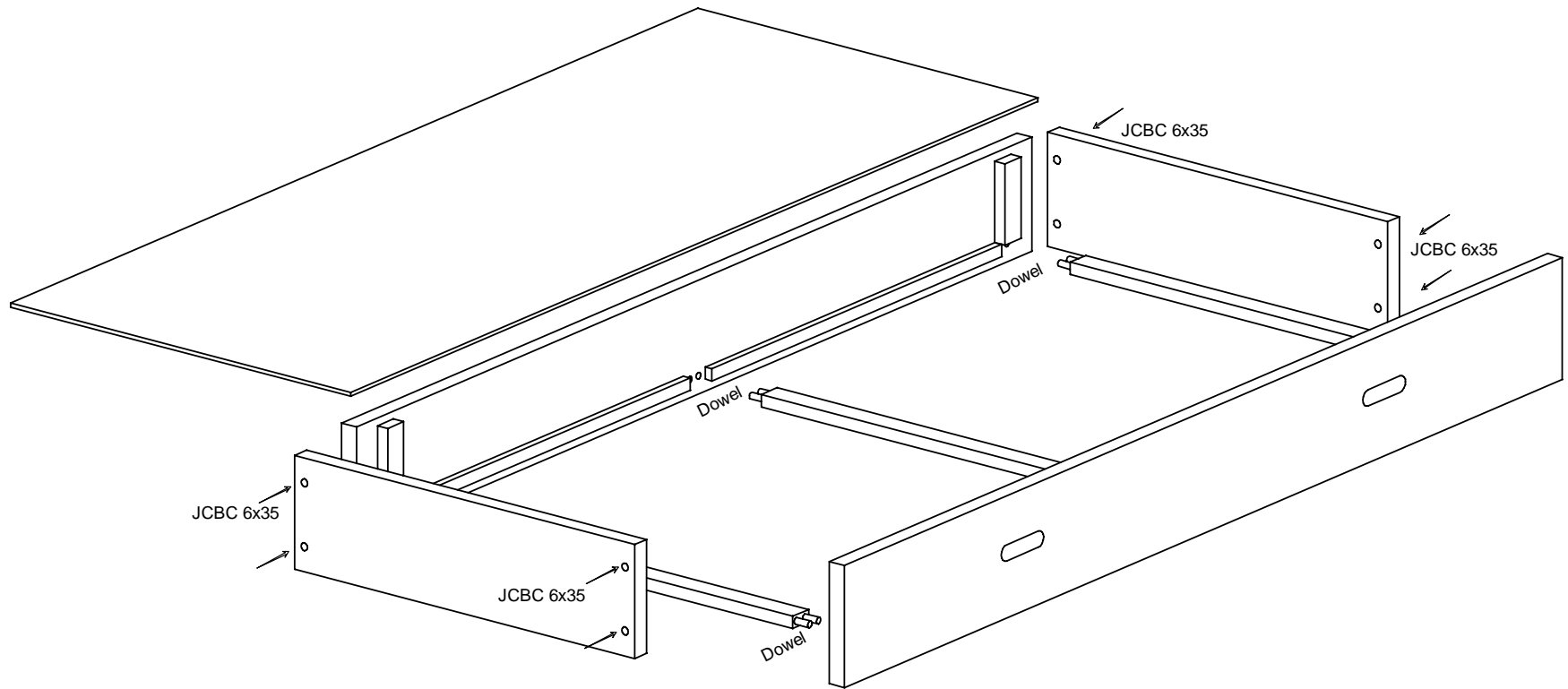
3.



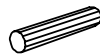
4.



Assembling Instruction OKINAWA Drawer



Hardware :



Wooden Dowel $\varnothing 8 \times 30$: 12 pcs



JCBC 6 x 35 = 8 pcs



L Key 4 x 70 = 1 pc

OKINAWA ASSEMBLY INSTRUCTIONS

- Step 1. Connect Component A and B, with B on the outside as shown on Diagram 1, using JCBC 6x50 and L Key (Allen Wrench) (See Diagram 1 for reference)
- Step 2. Connect Component C with Component A, matching the groove accordingly to fit Component D (See Diagram 1 for reference)
- Step 3. Place Component D into the groove of Component A and C. (See Diagram 1 for reference)
- Step 4. Connect Component E on top of the Component A,C,D that has been combined, using 4 pieces of JCBC 6x60 and L Key to tighten (See Diagram 2 for reference)
- Step 5. Connect Component F on top of Component B using 4 pieces of JCBC 6x60 and L Key to tighten (See Diagram 3 for reference)
- Step 6. Connect Component G on opposite ends of the body frame onto Component A using 2 pieces of JCBC 6x50 and L Key (See Diagram 4 for reference), Please adjust tightness to allow Component G to swing freely from locking position
- Step 7. Assemble the Drawer based on the attached diagram.
- Step 8. Place the Drawer under the Seat Deck (Component B,F) (See Diagram 4 for reference)