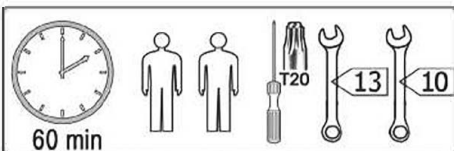
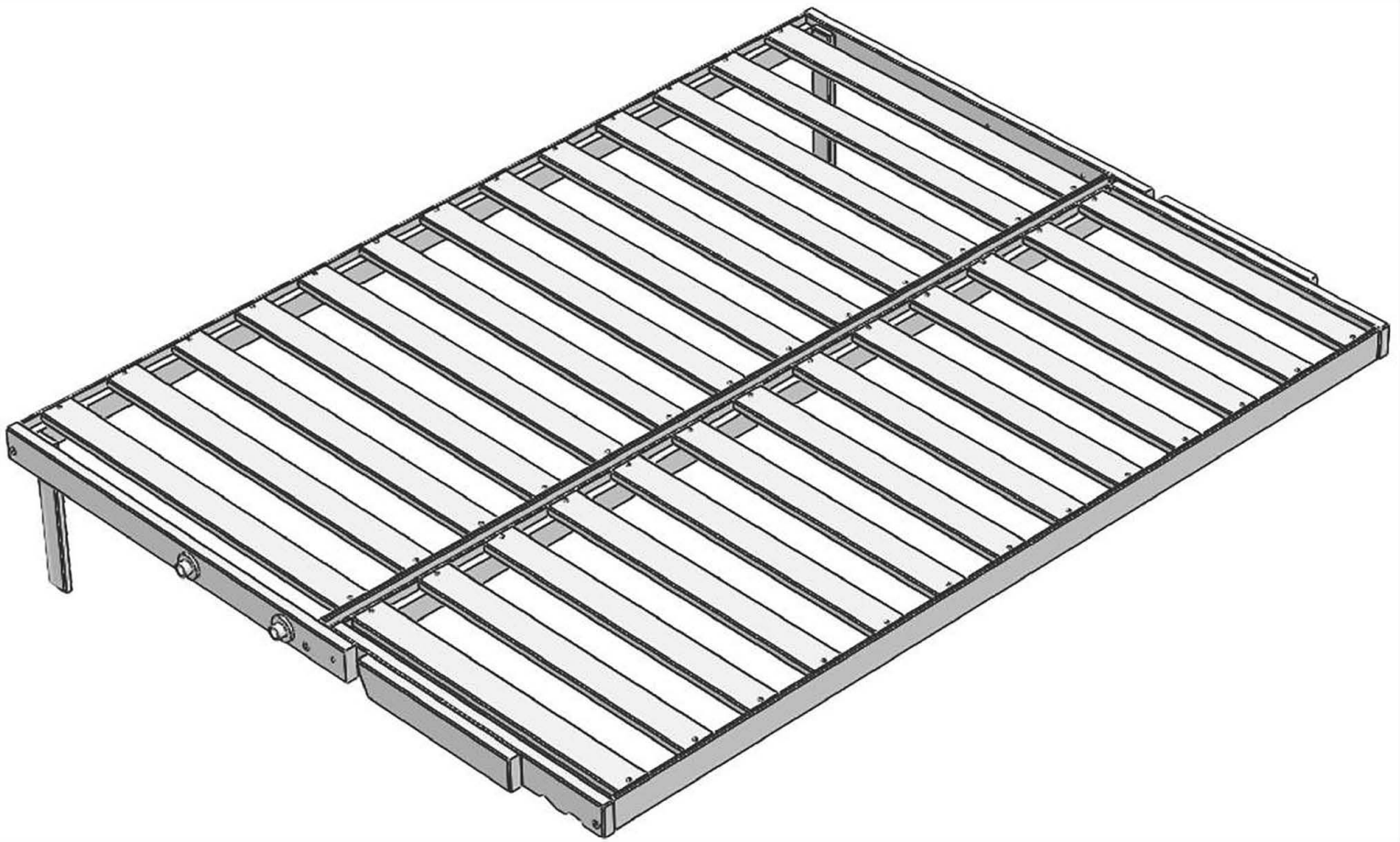
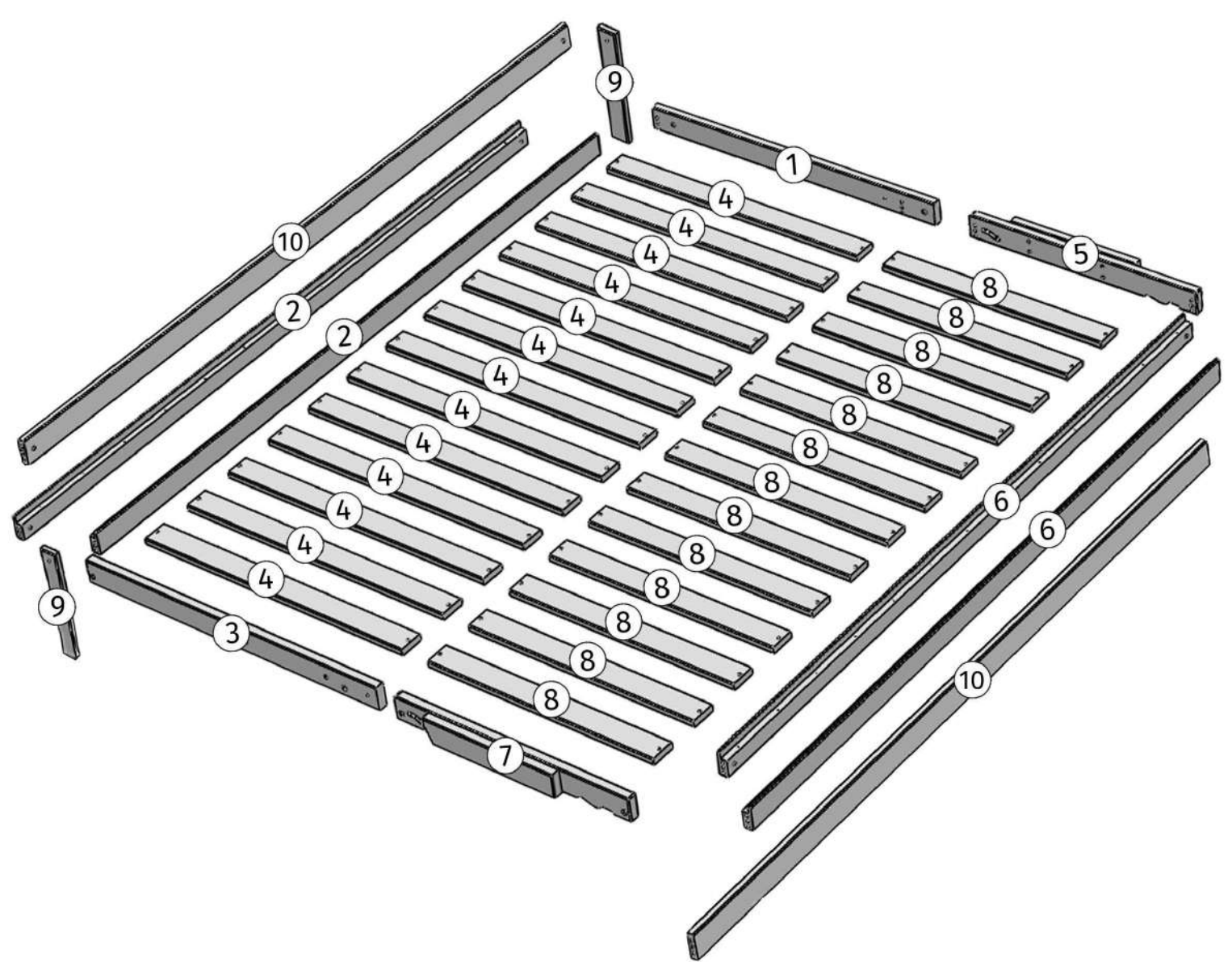
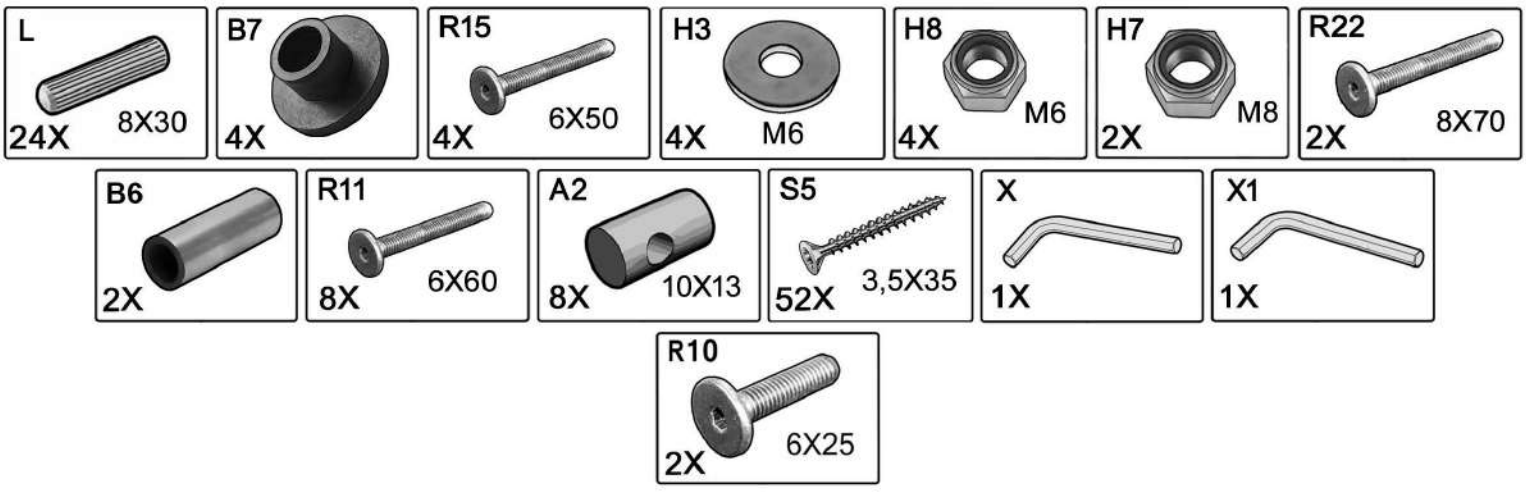
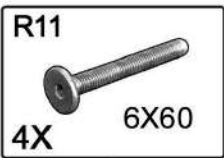


BODY QUEEN

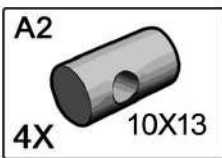


© 2014 IKEA. All rights reserved. IKEA is a registered trademark of IKEA of Sweden. The word "IKEA" is a registered trademark of IKEA of Sweden. The word "BODY" is a registered trademark of IKEA of Sweden. The word "QUEEN" is a registered trademark of IKEA of Sweden.

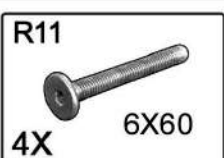
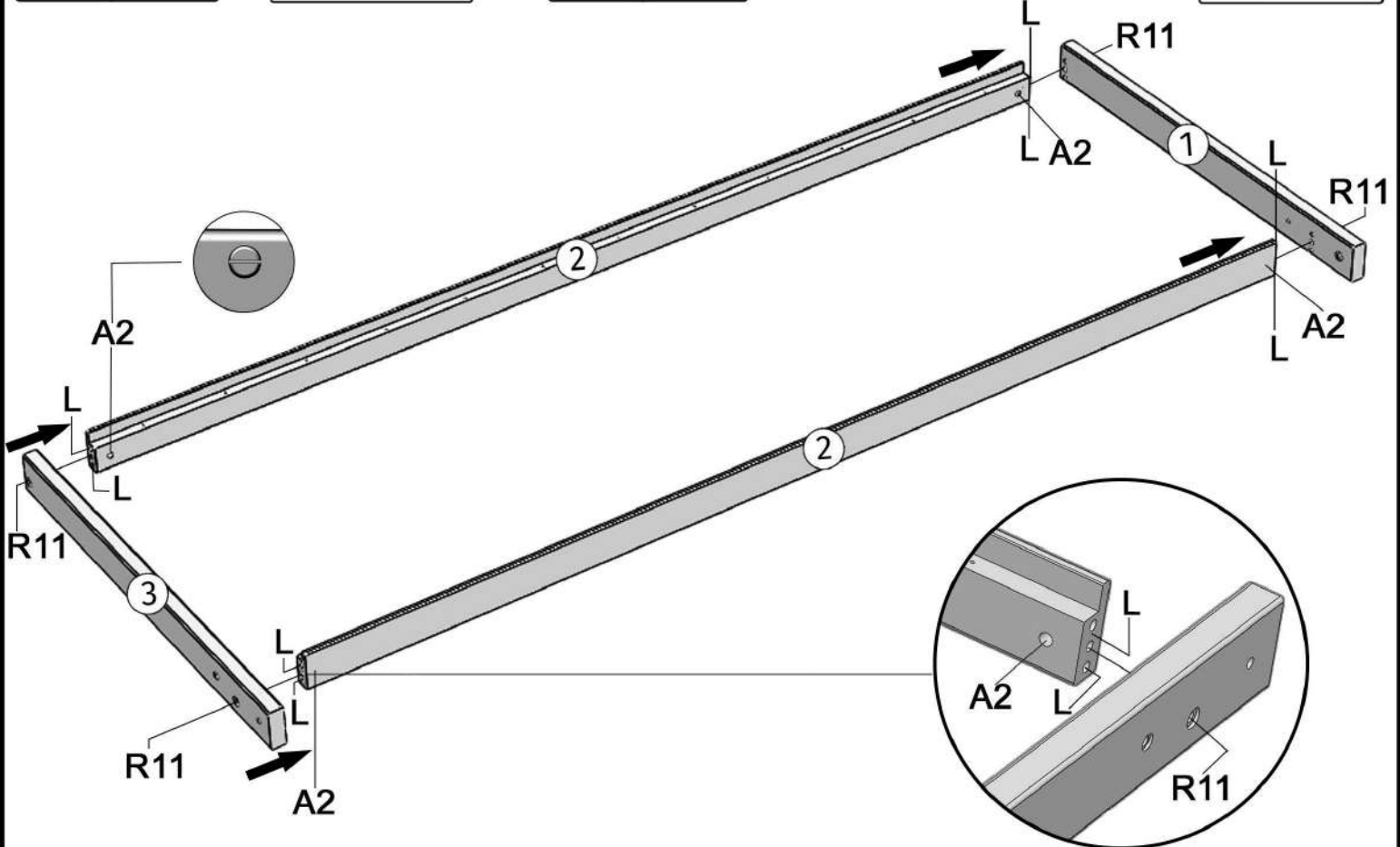
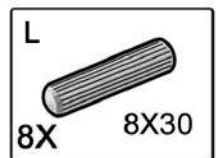
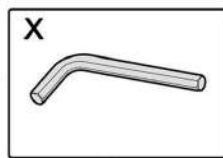




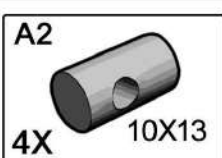
+



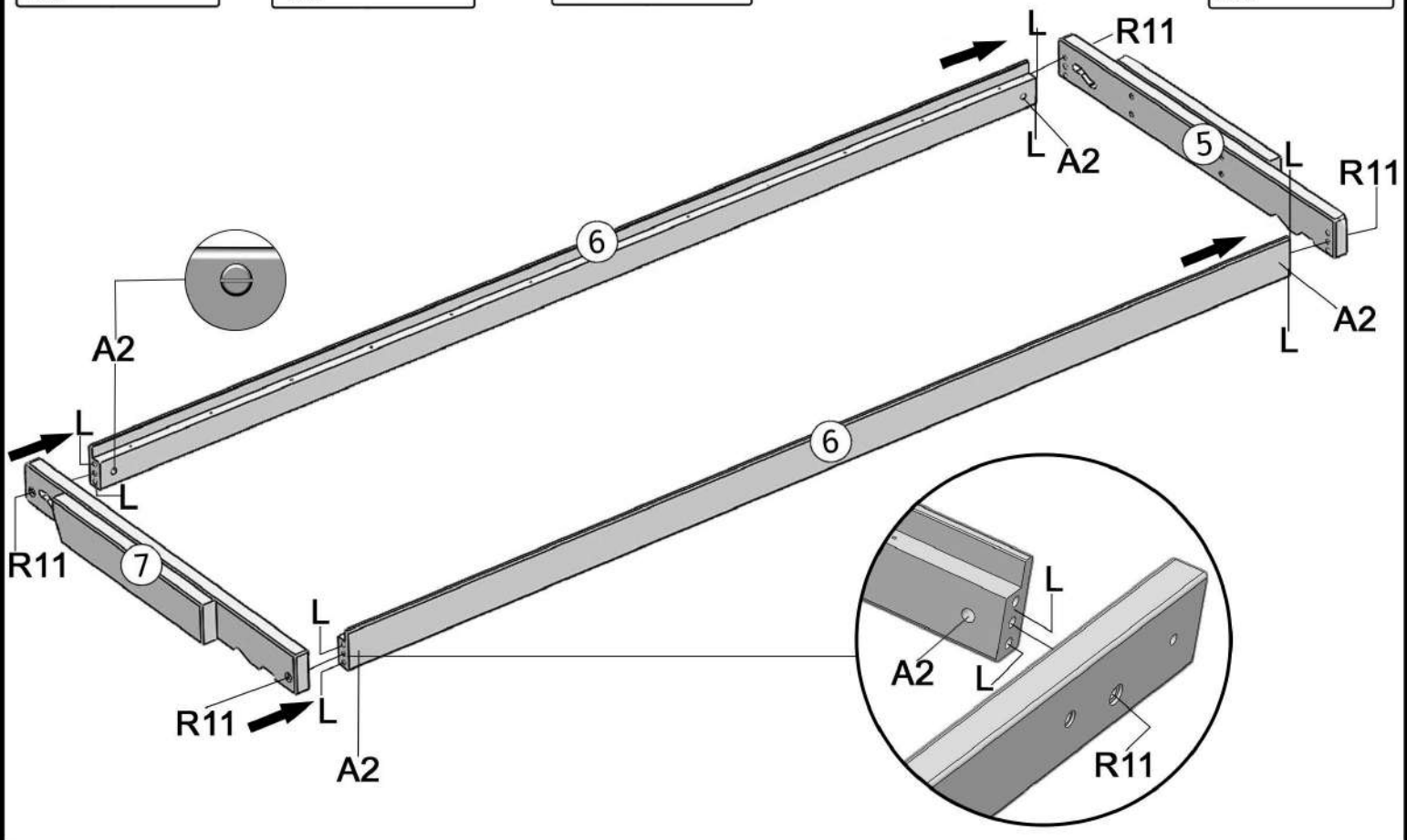
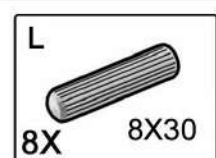
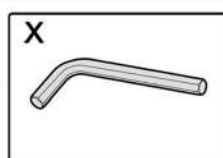
→

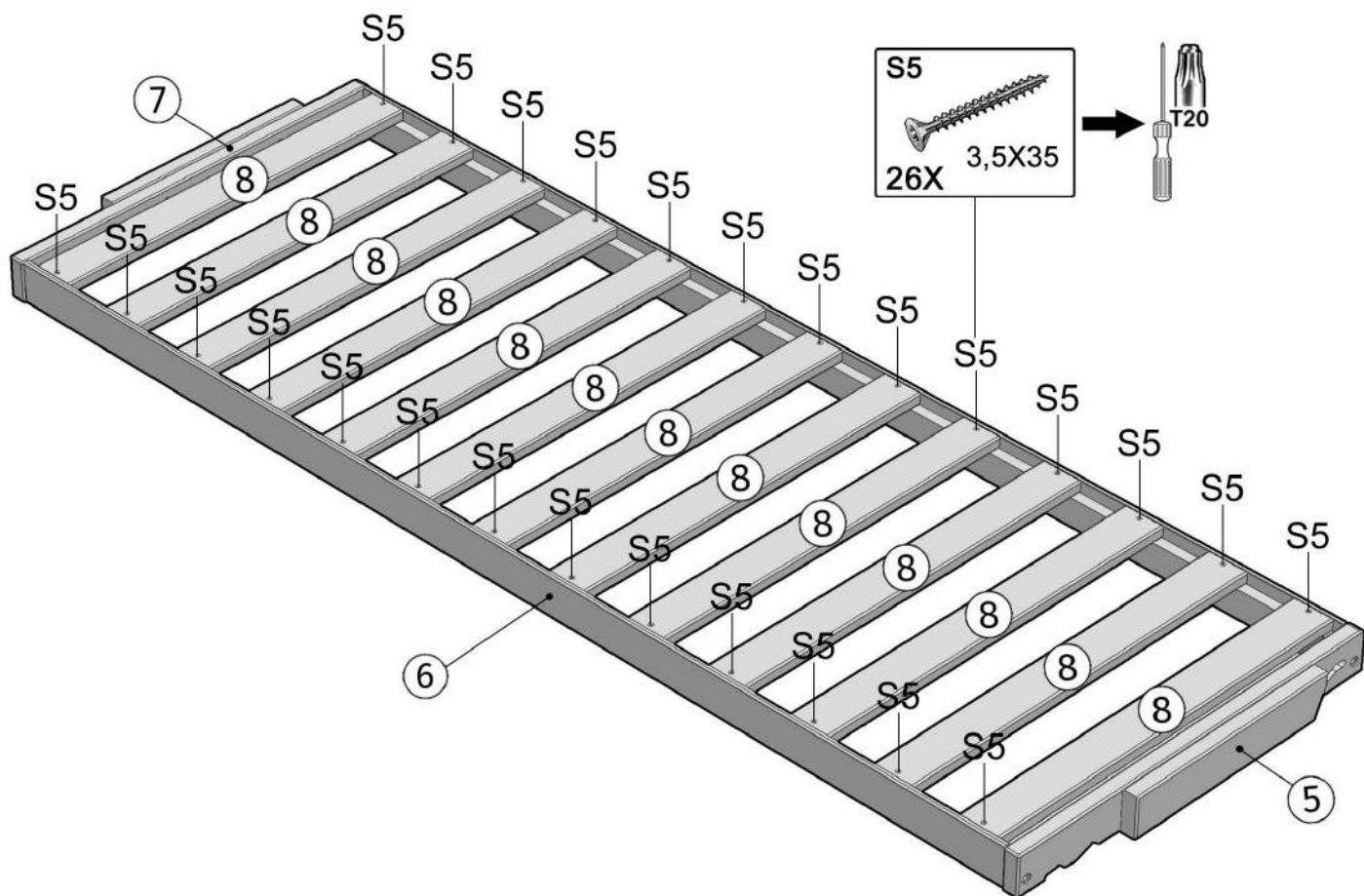
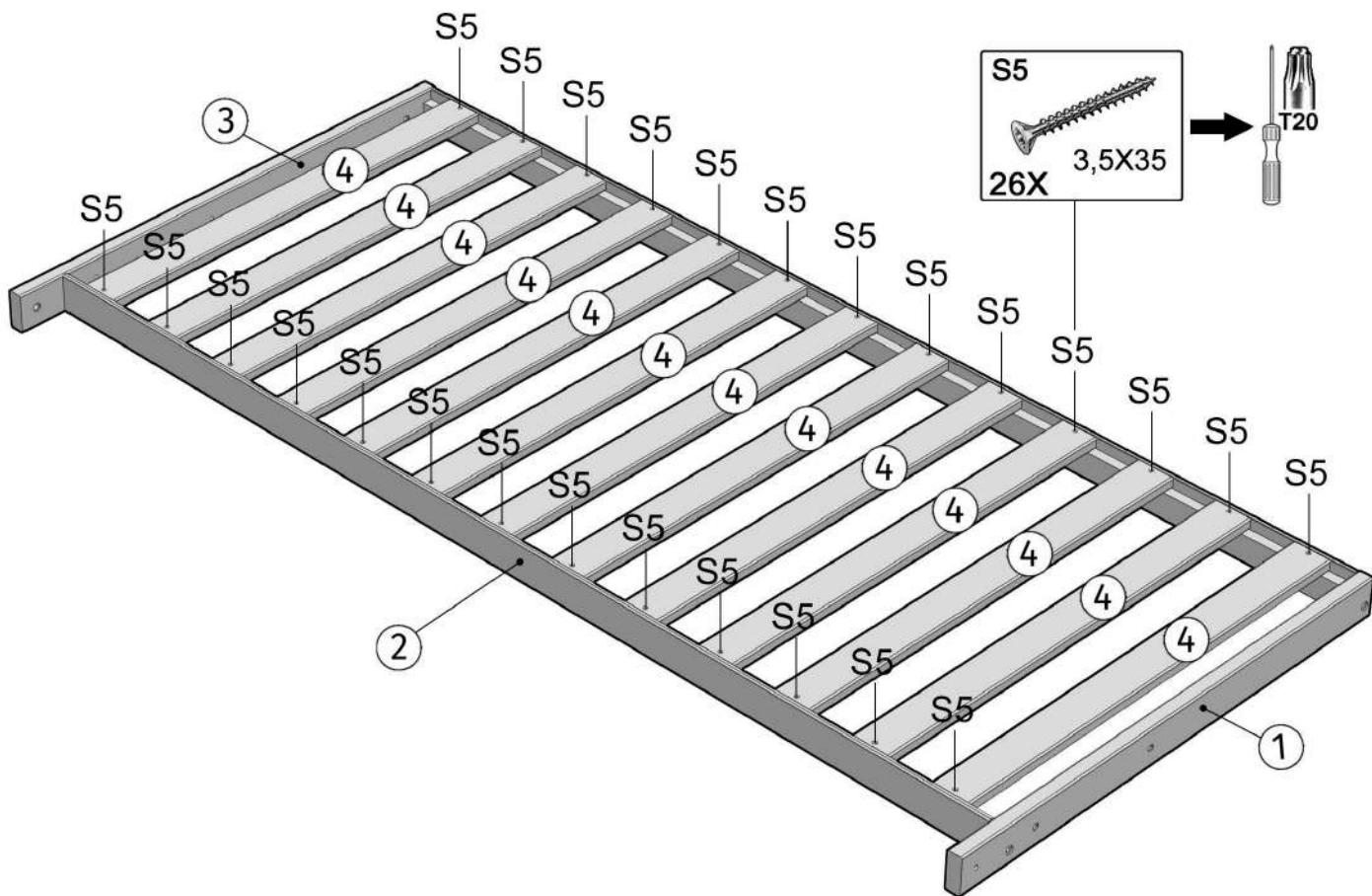


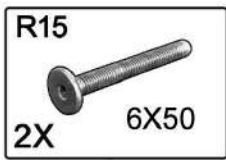
+



→



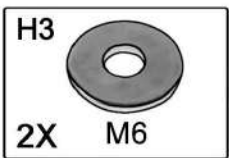
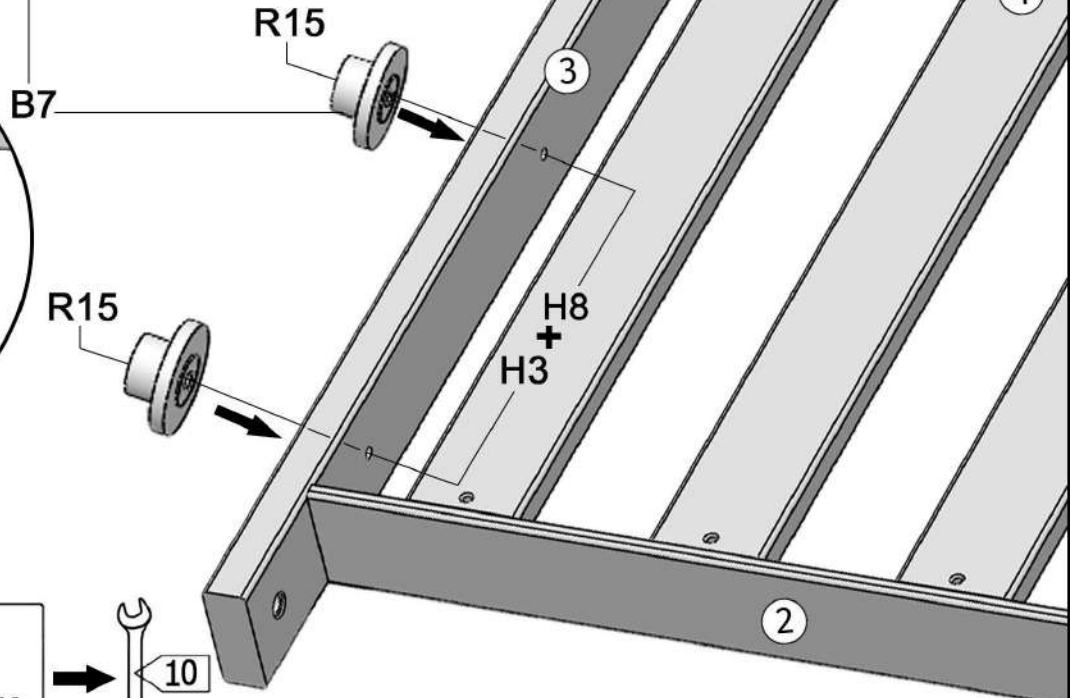
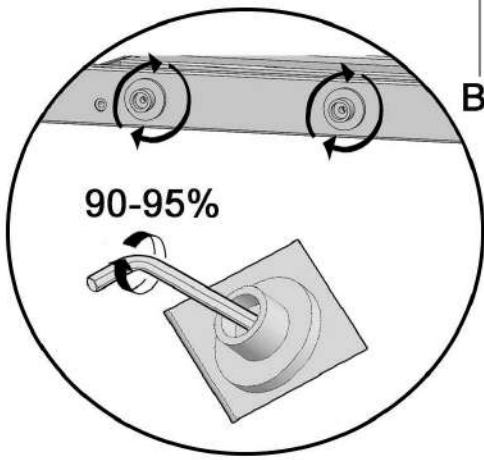
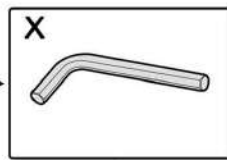




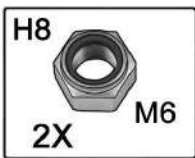
+



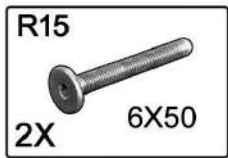
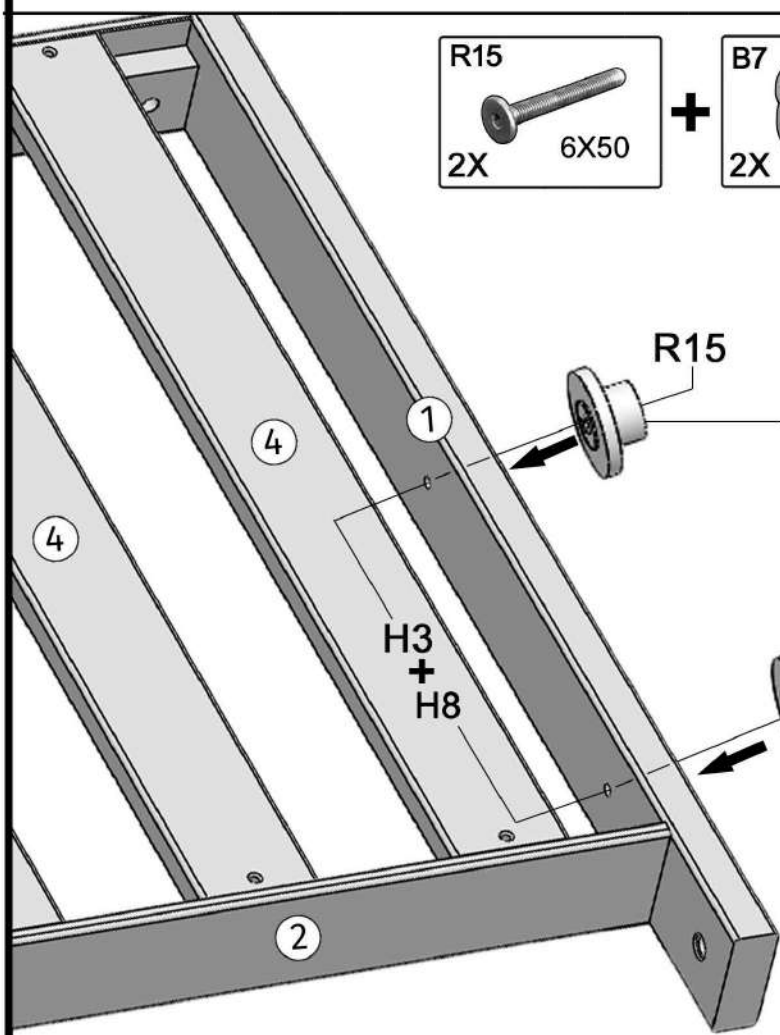
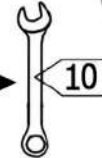
→



+



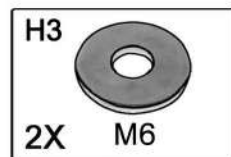
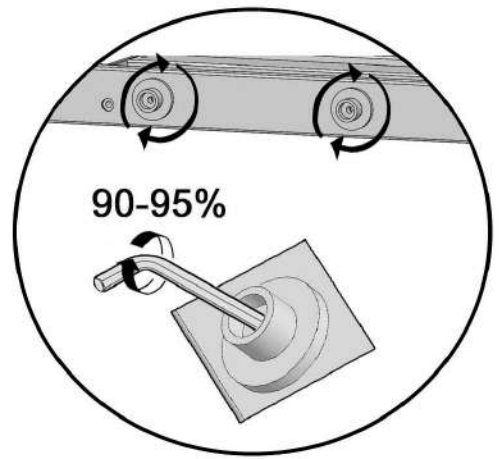
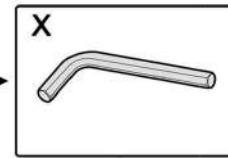
→



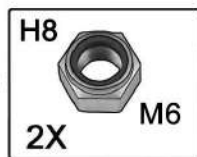
+



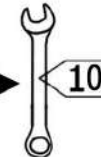
→

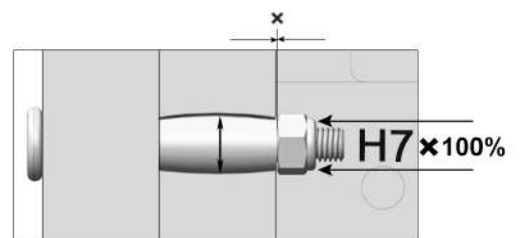
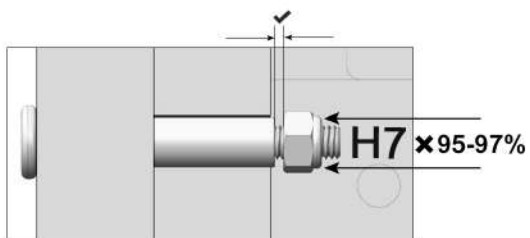
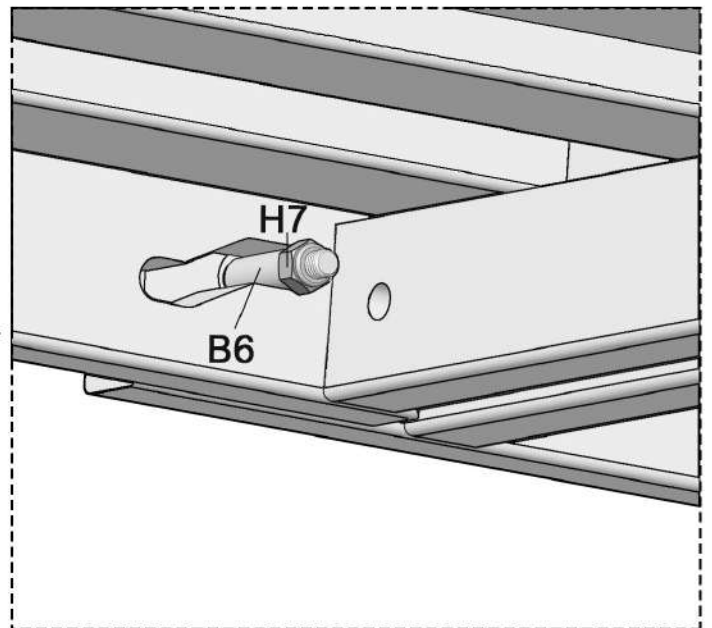
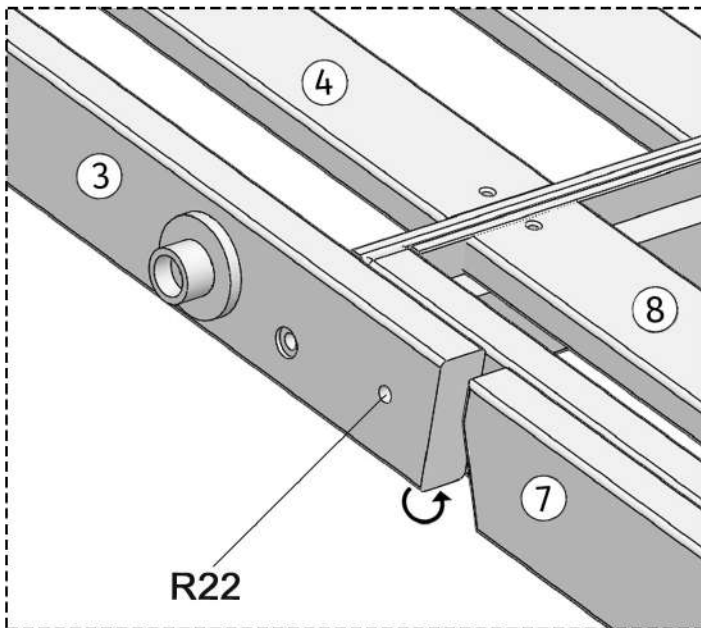
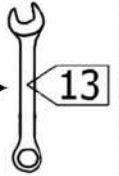
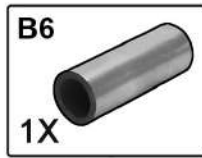
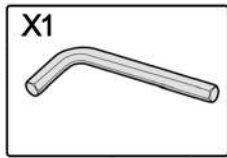
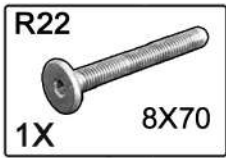
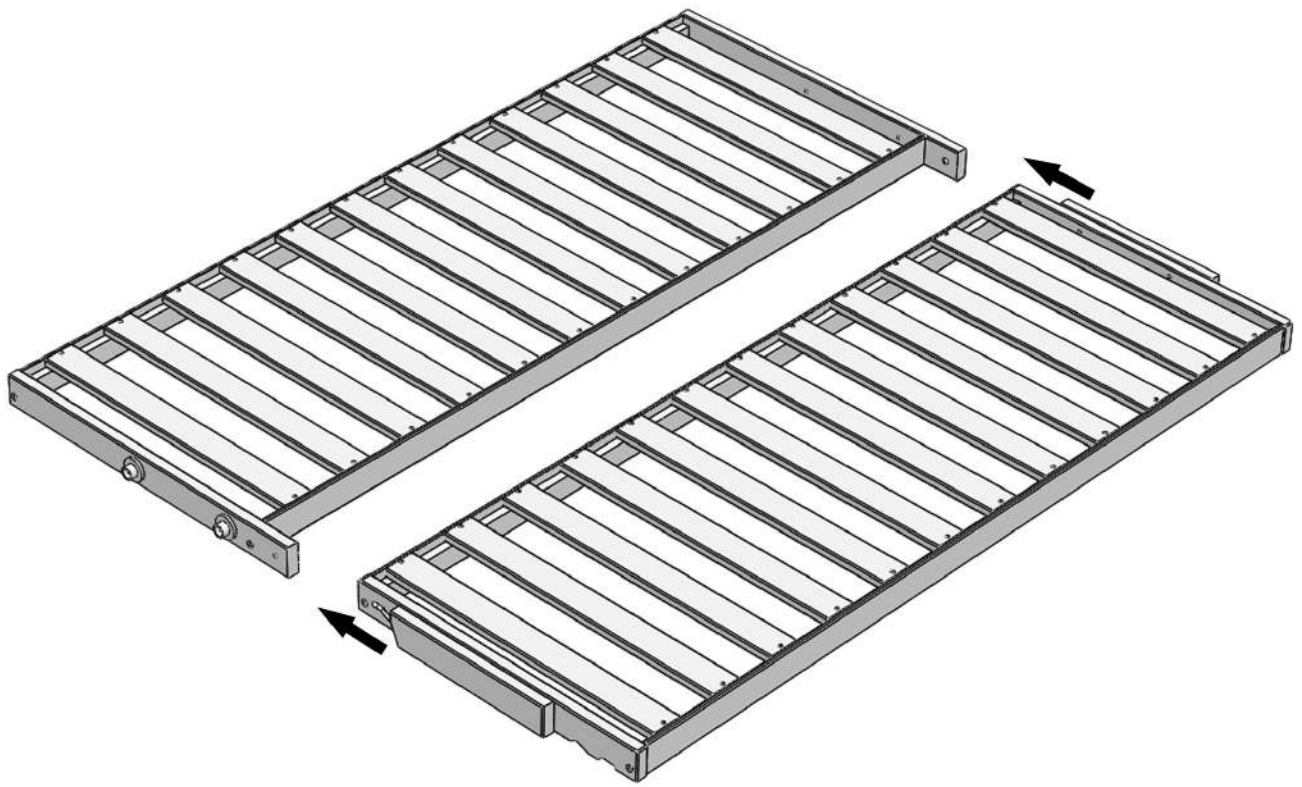


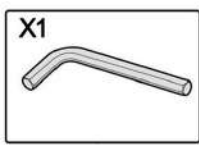
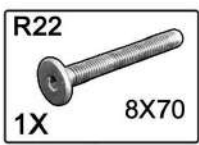
+



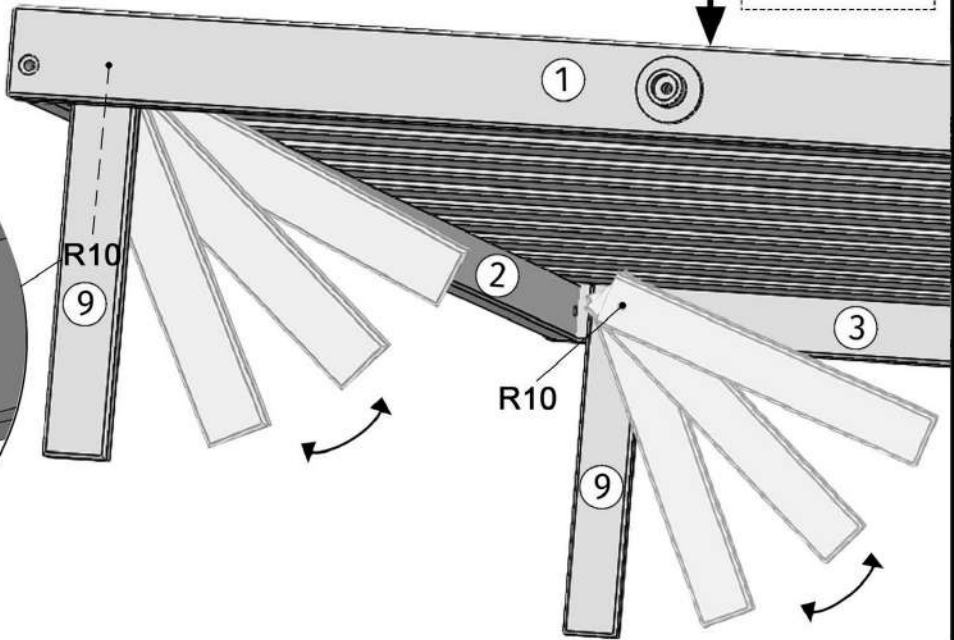
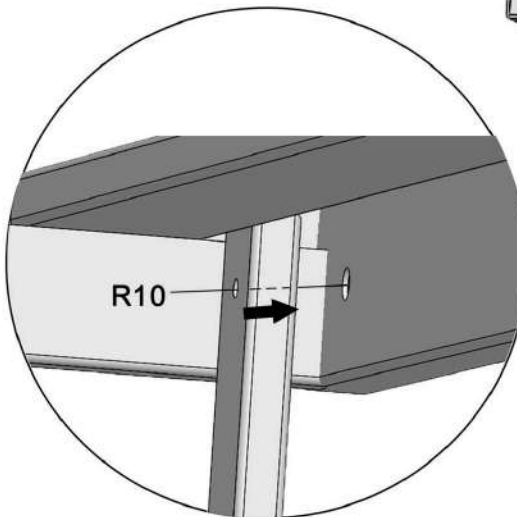
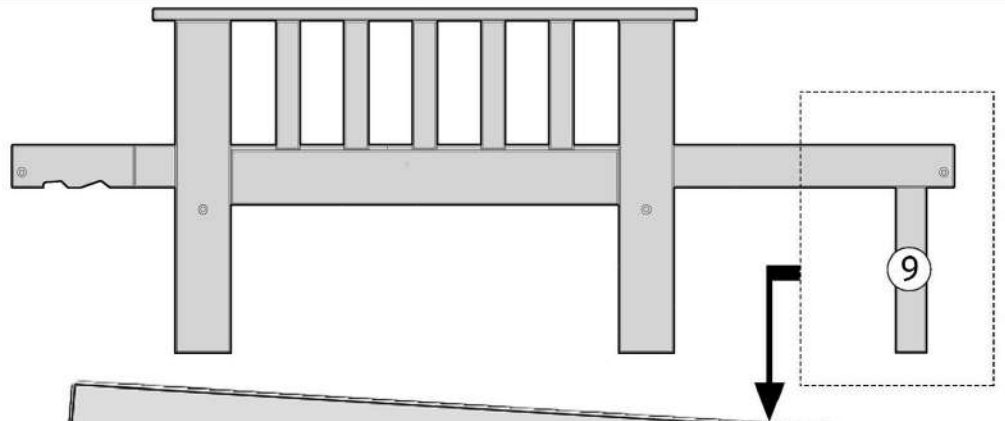
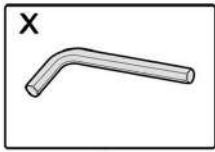
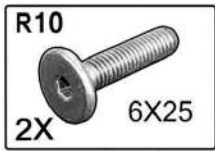
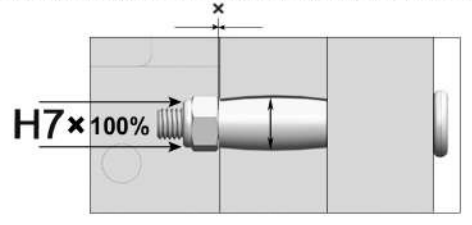
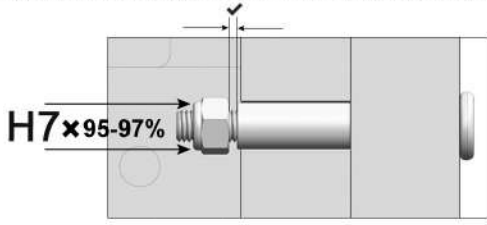
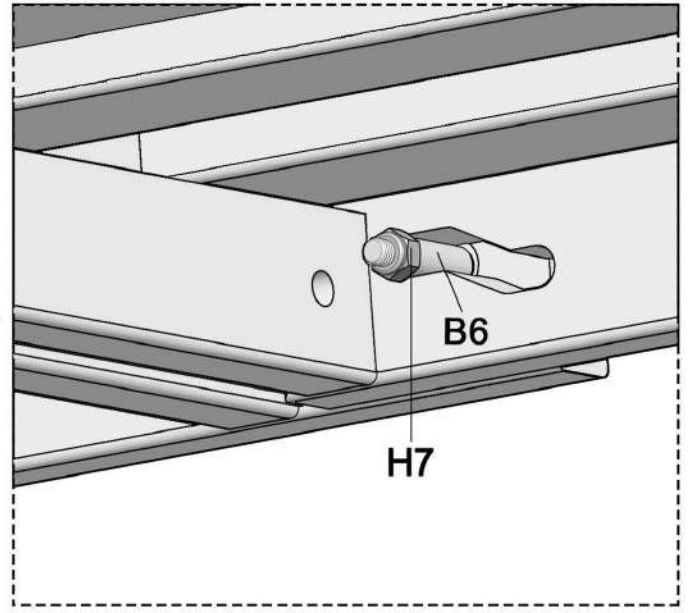
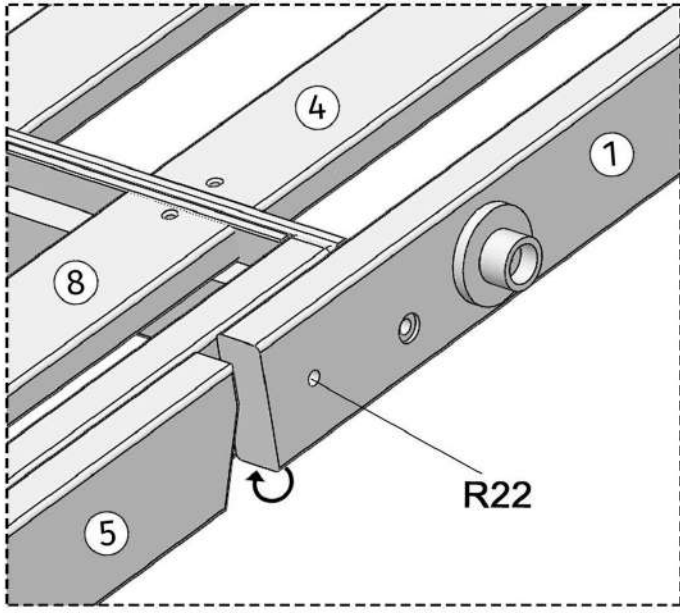
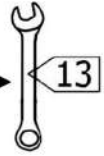
→



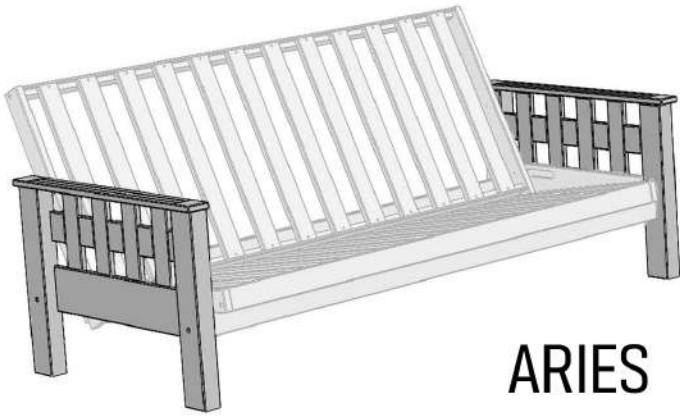




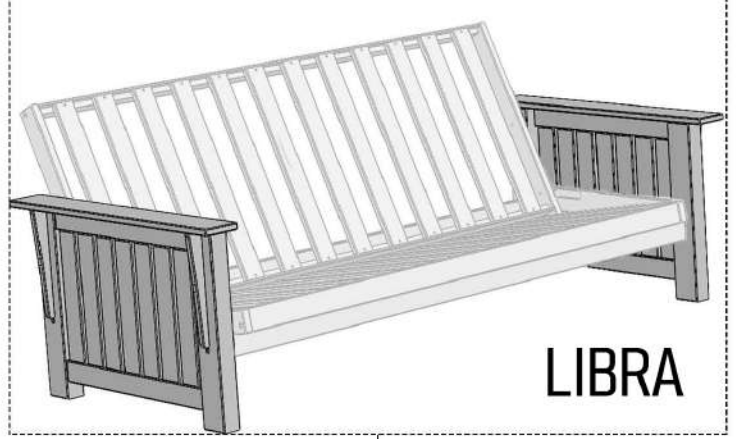
+



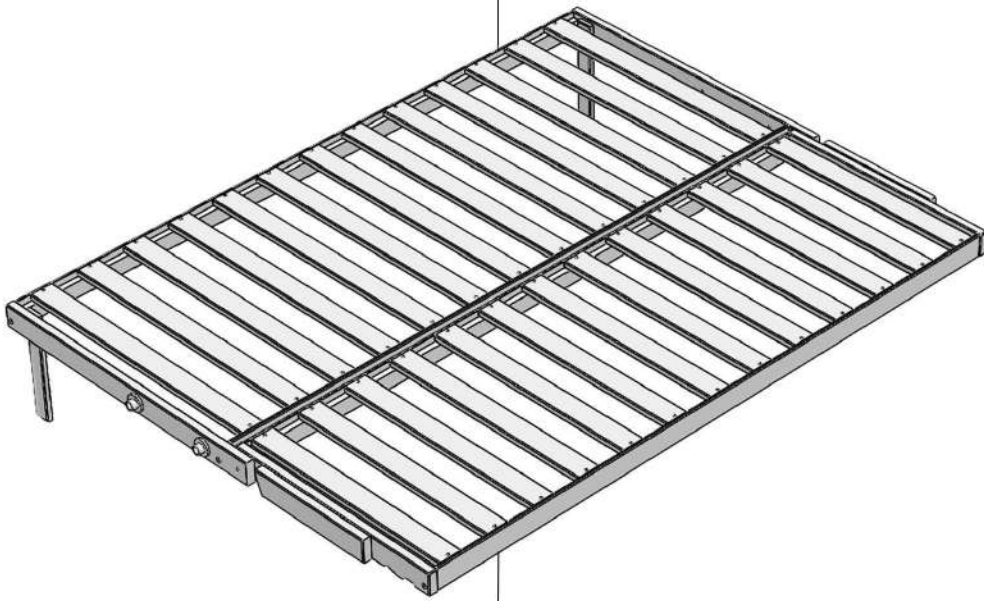
OPTIONS



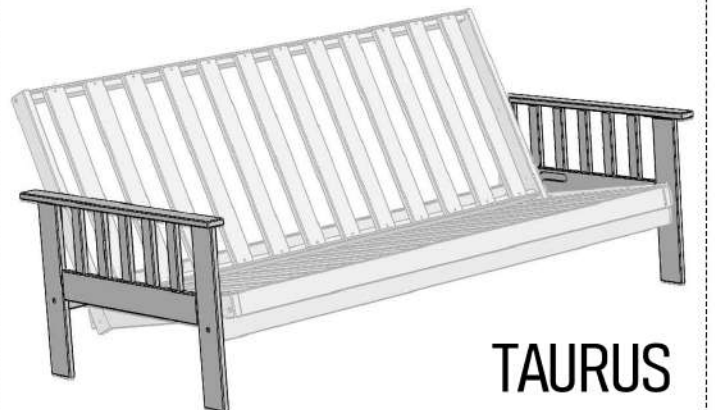
ARIES



LIBRA



VIRGO



TAURUS