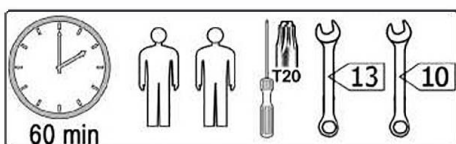
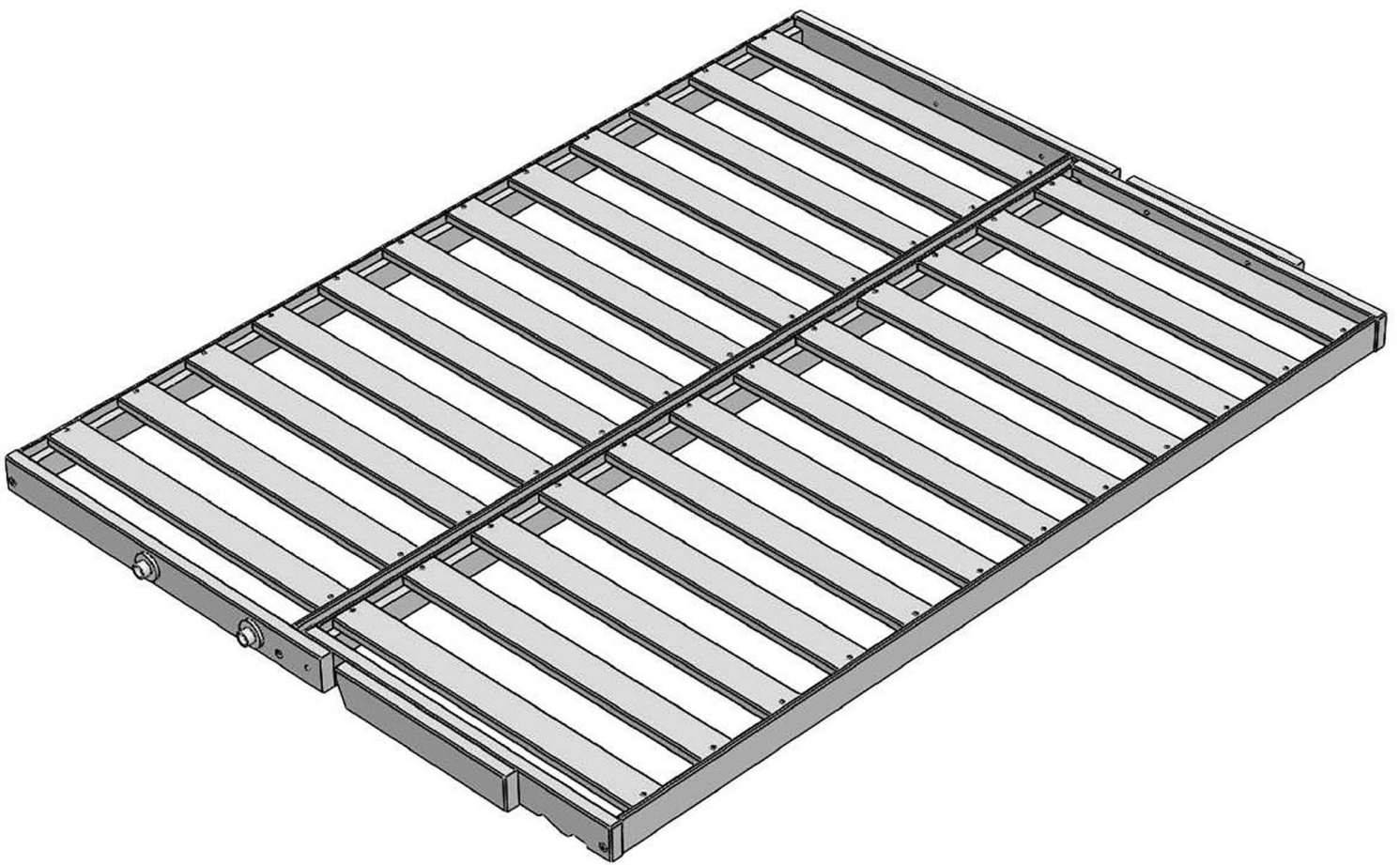
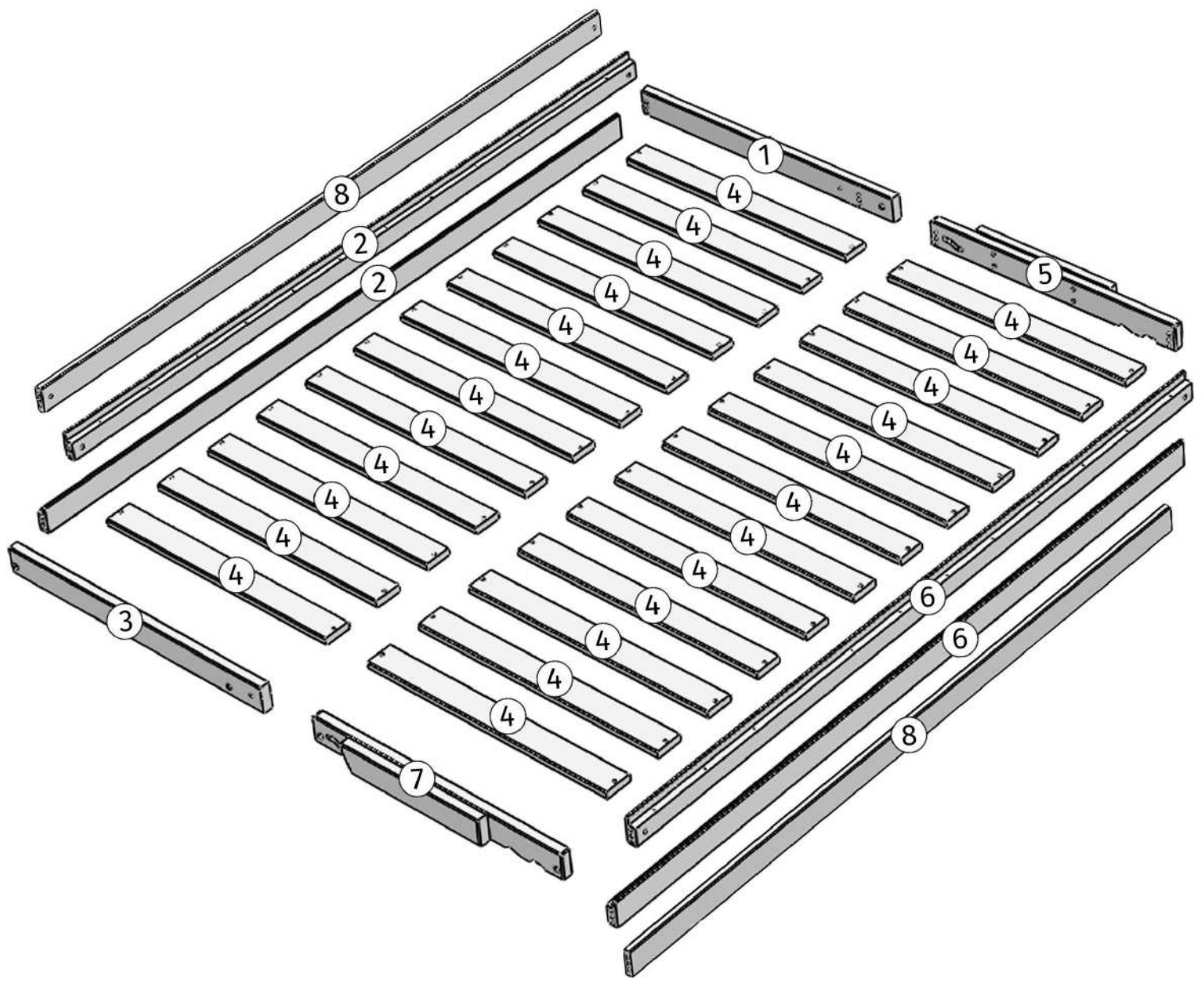
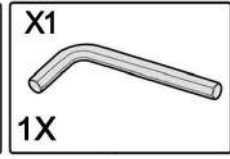
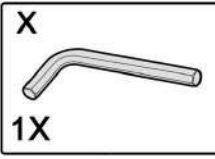
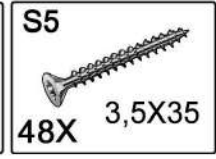
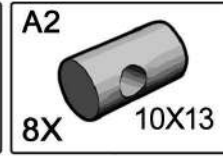
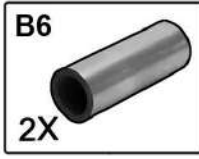
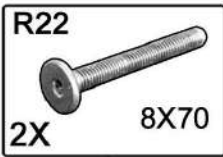
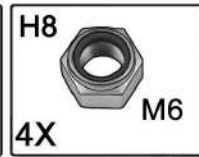
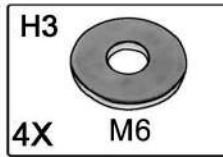
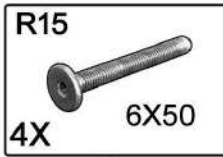
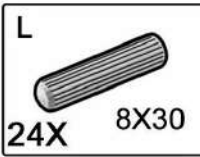
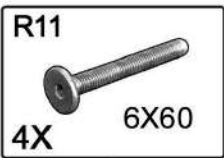


# BODY FULL

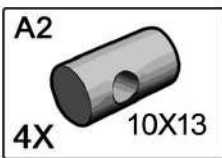


© 2014 IKEA. All rights reserved. IKEA, the yellow triangle logo and "BODEN" are registered trademarks of IKEA of Sweden. "BODEN" is a registered trademark of IKEA of Sweden. "BODEN" is a registered trademark of IKEA of Sweden.

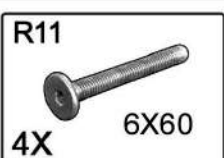
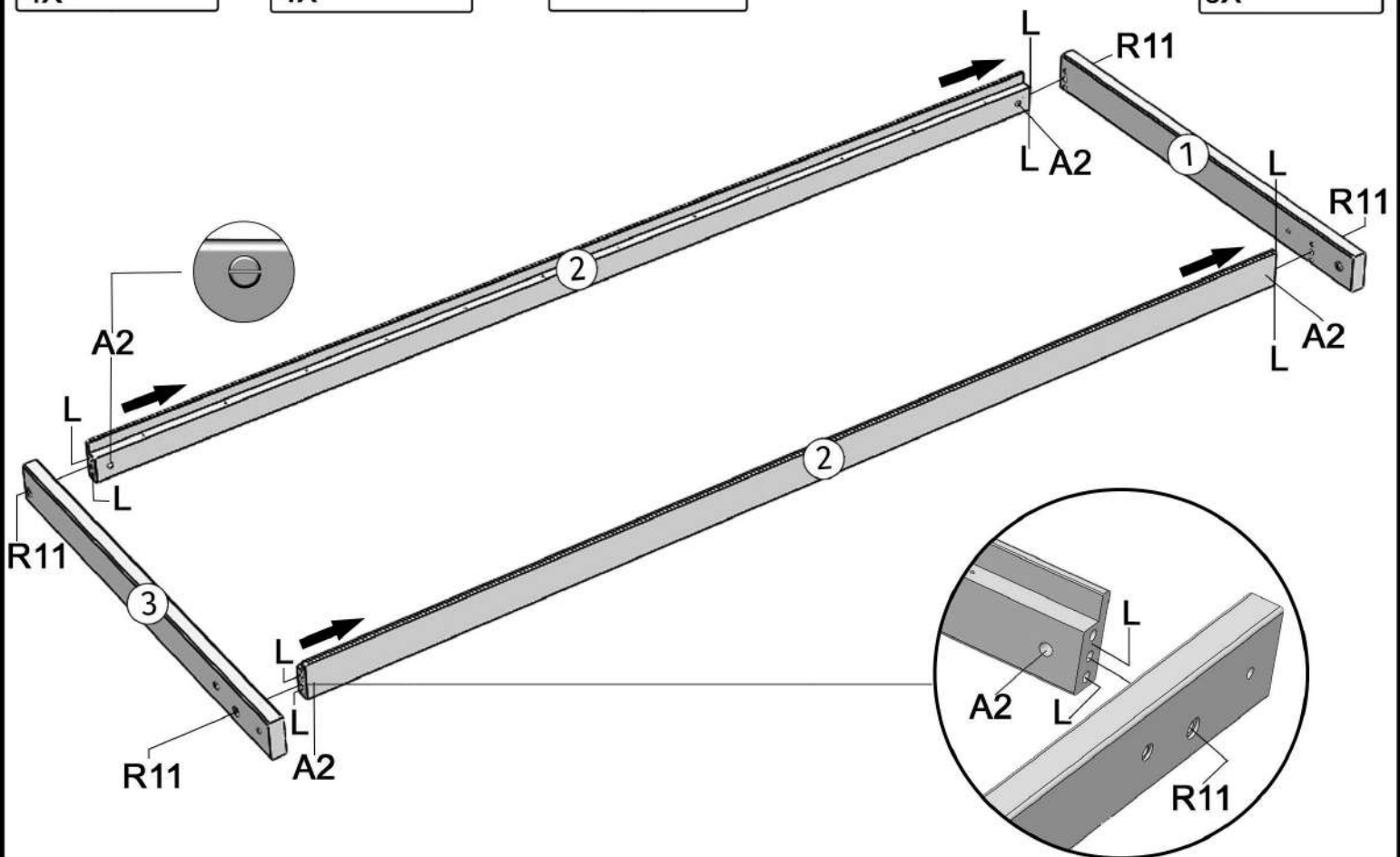
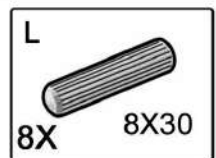
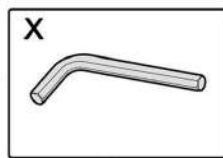




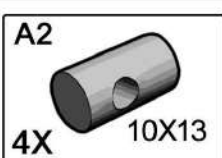
+



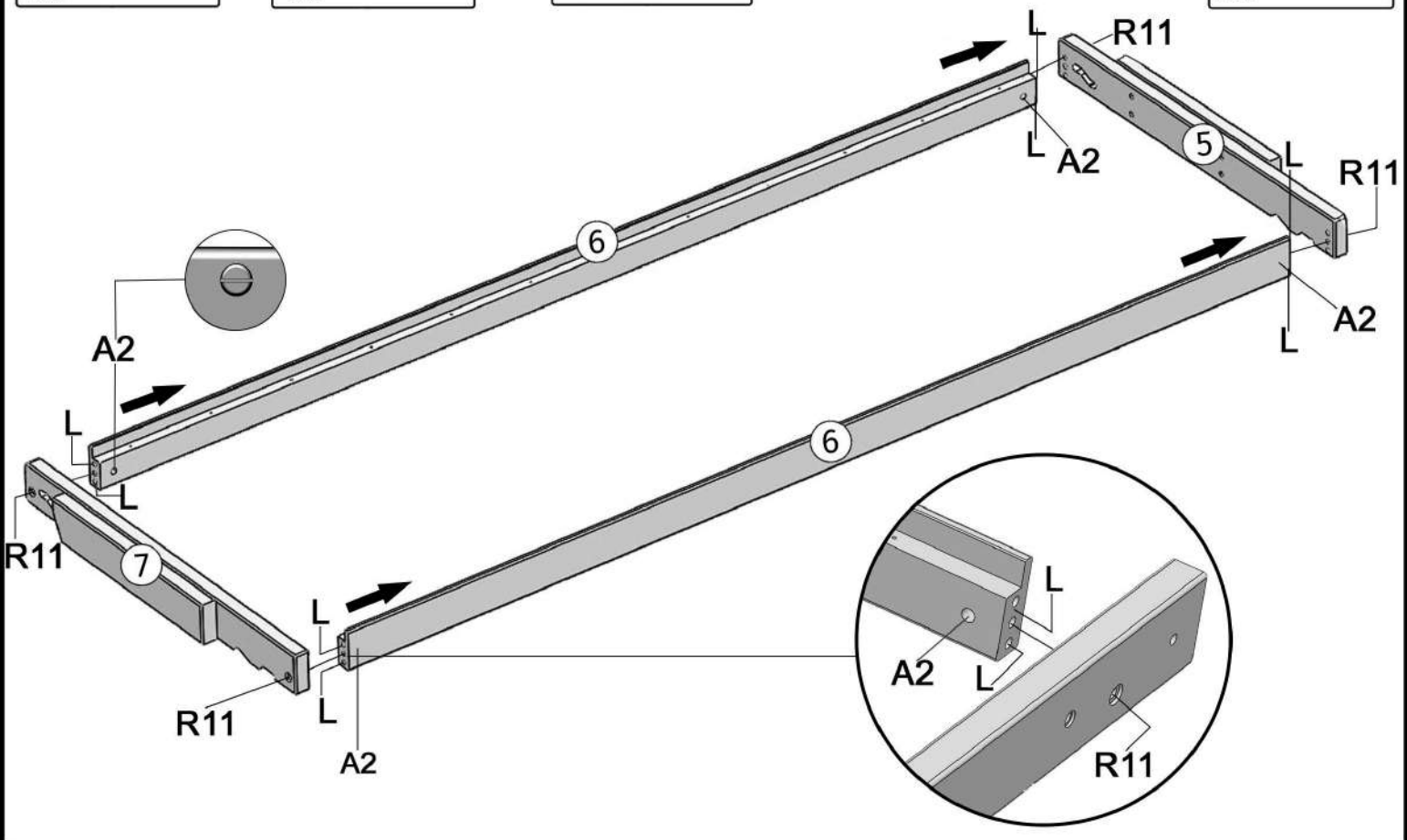
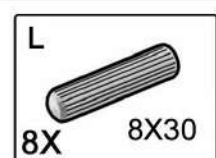
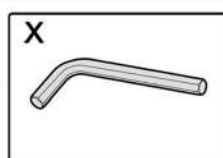
→

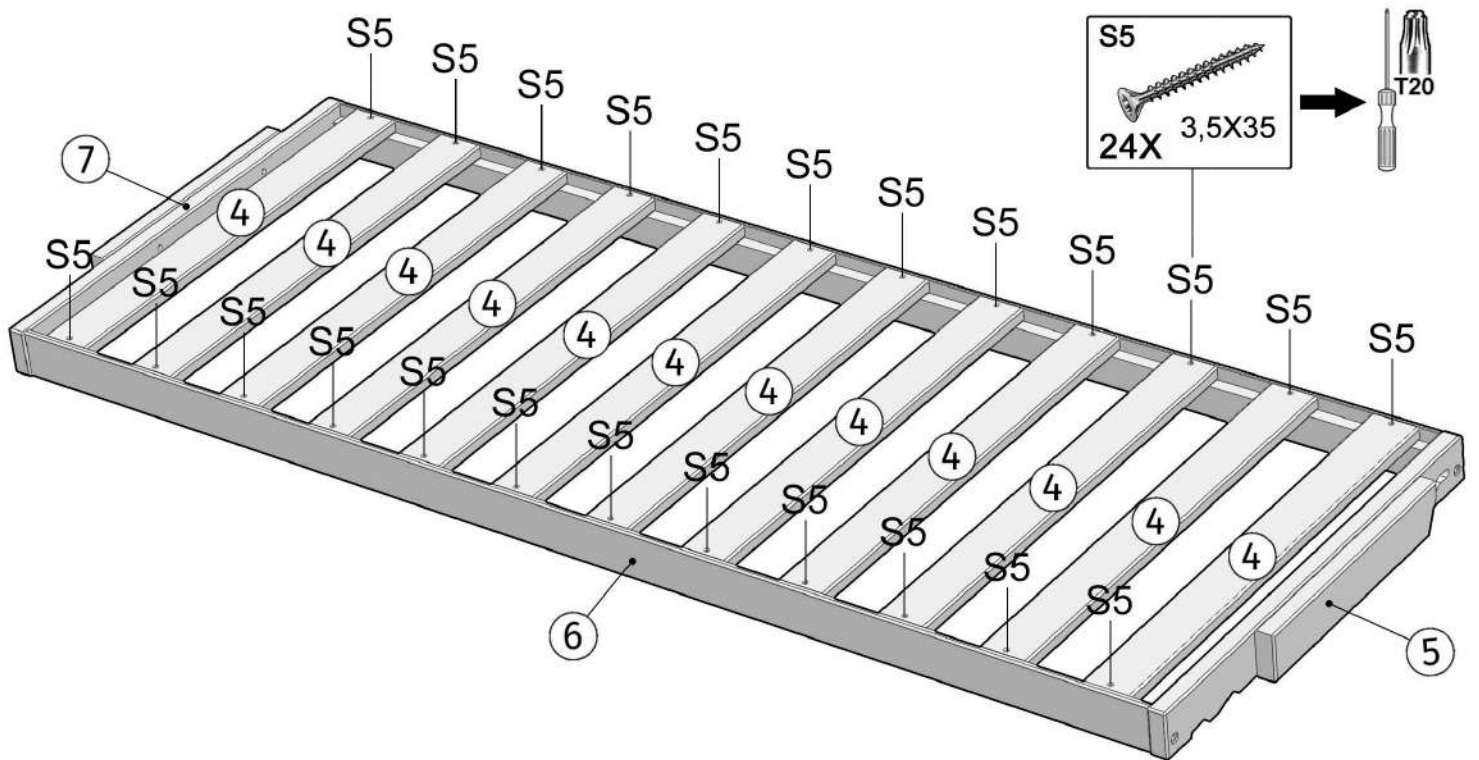
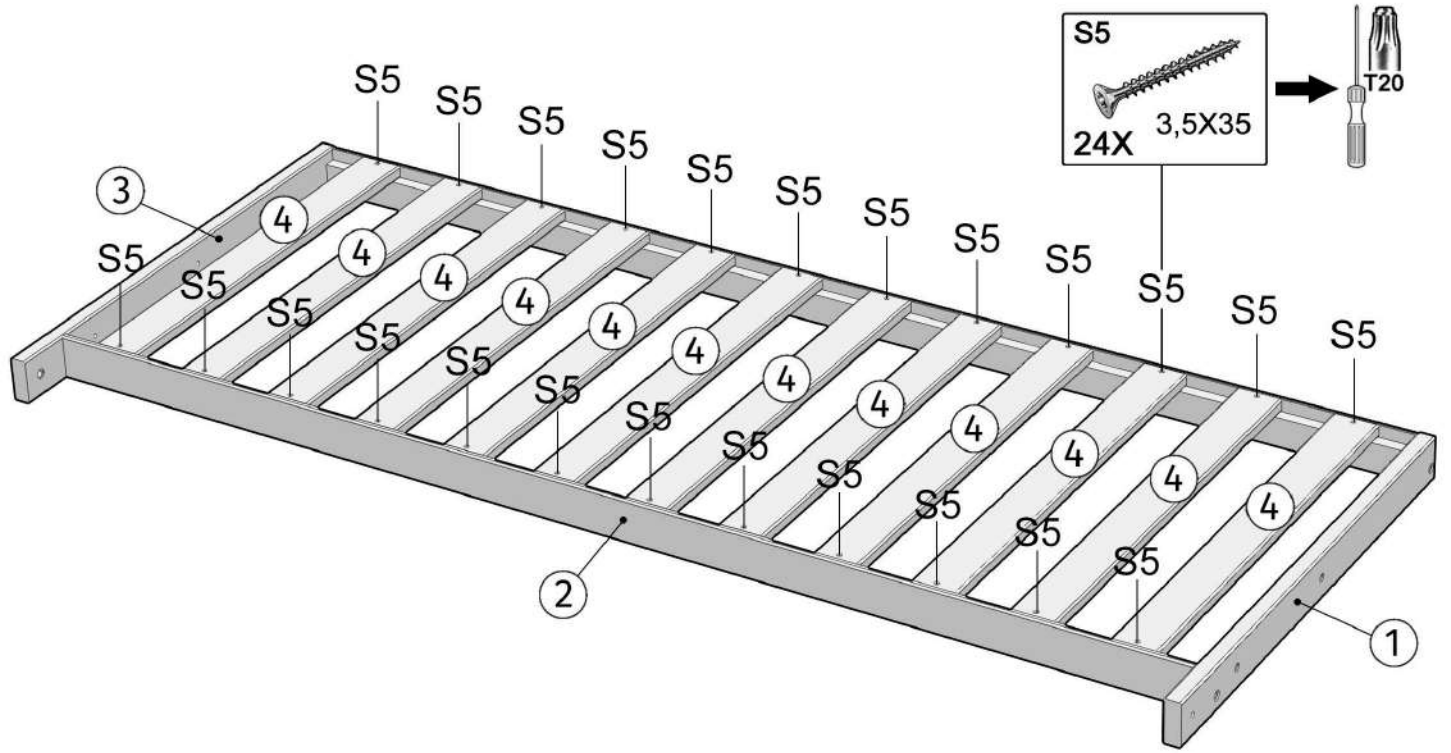


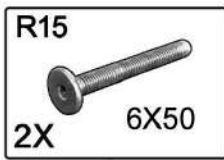
+



→



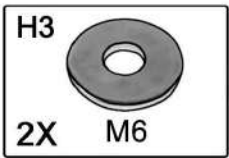
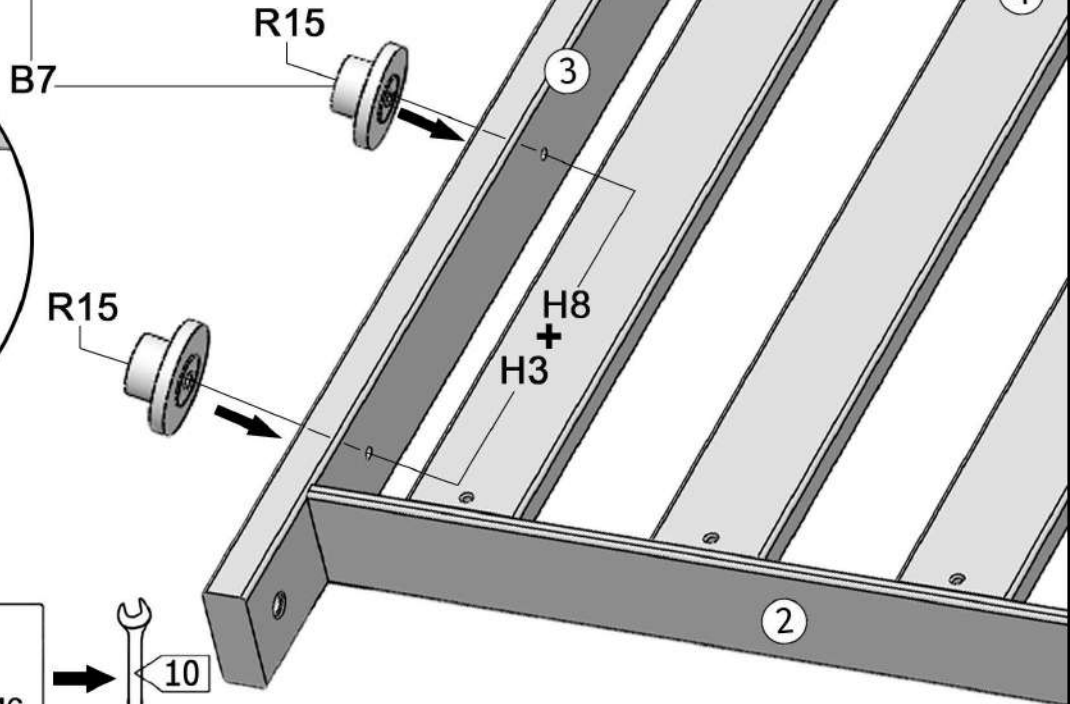
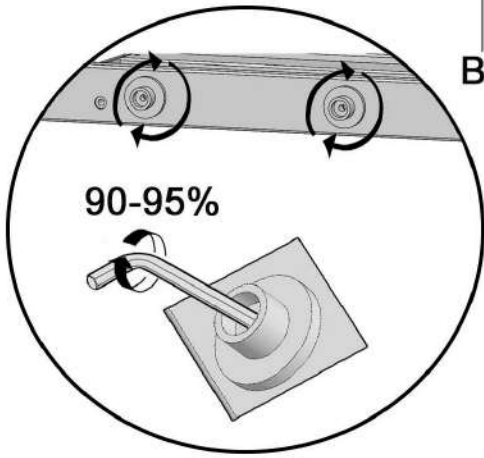
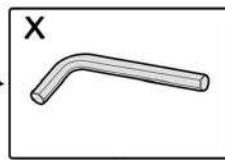




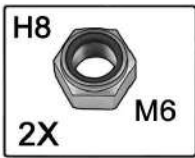
+



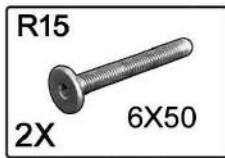
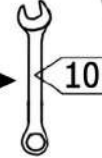
→



+



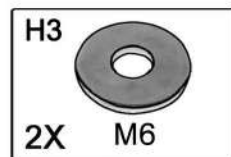
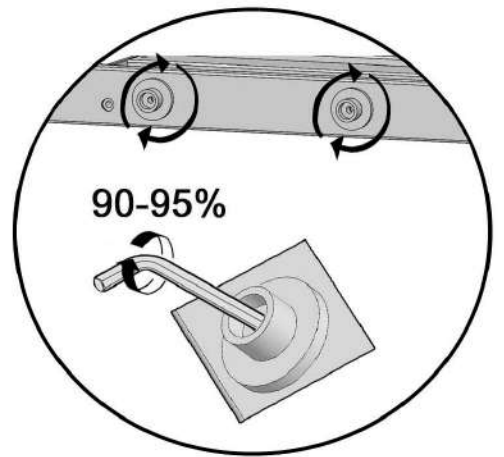
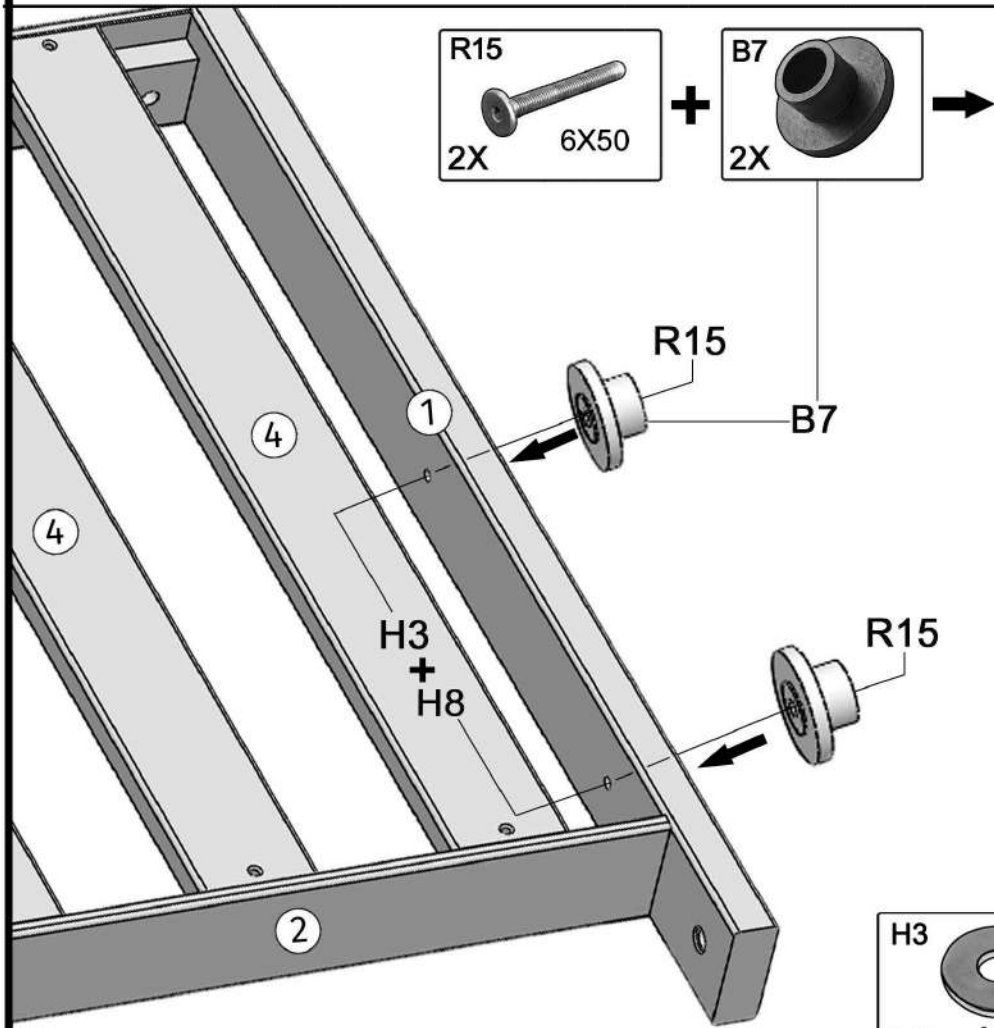
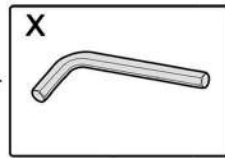
→



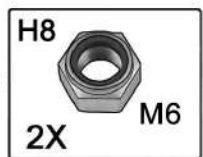
+



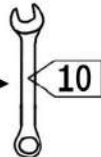
→

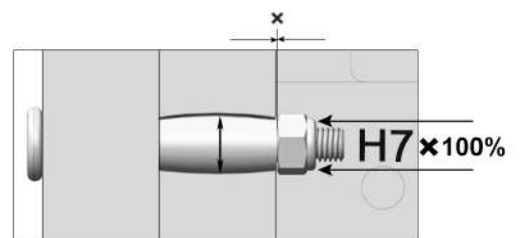
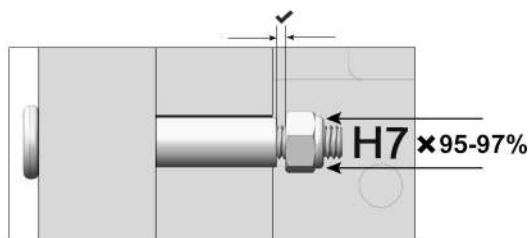
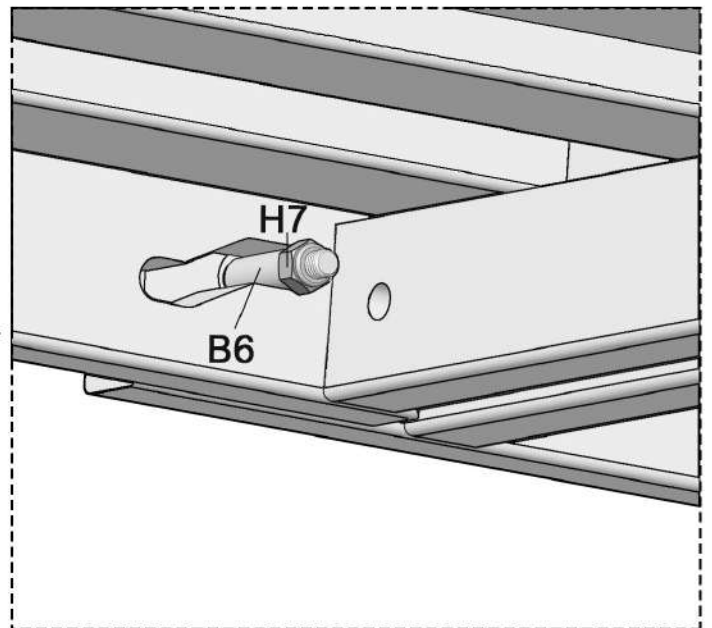
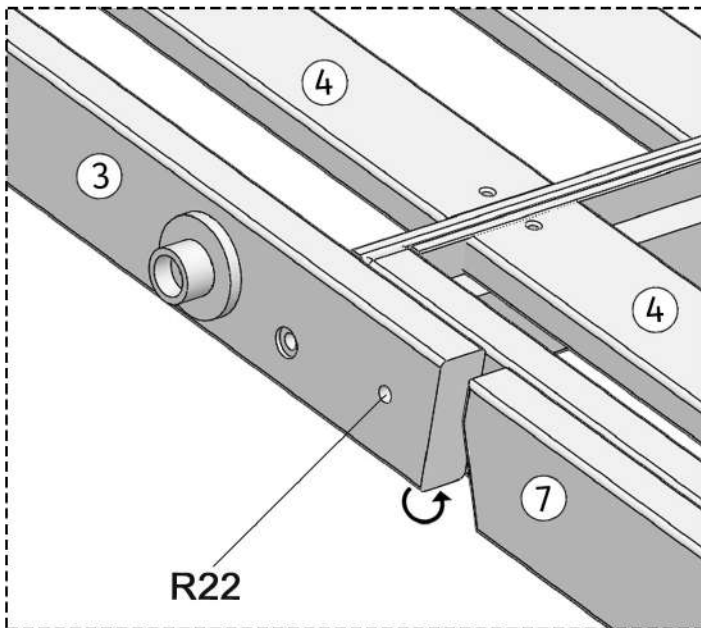
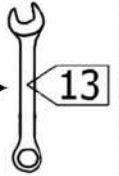
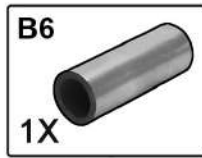
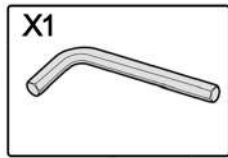
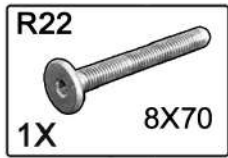
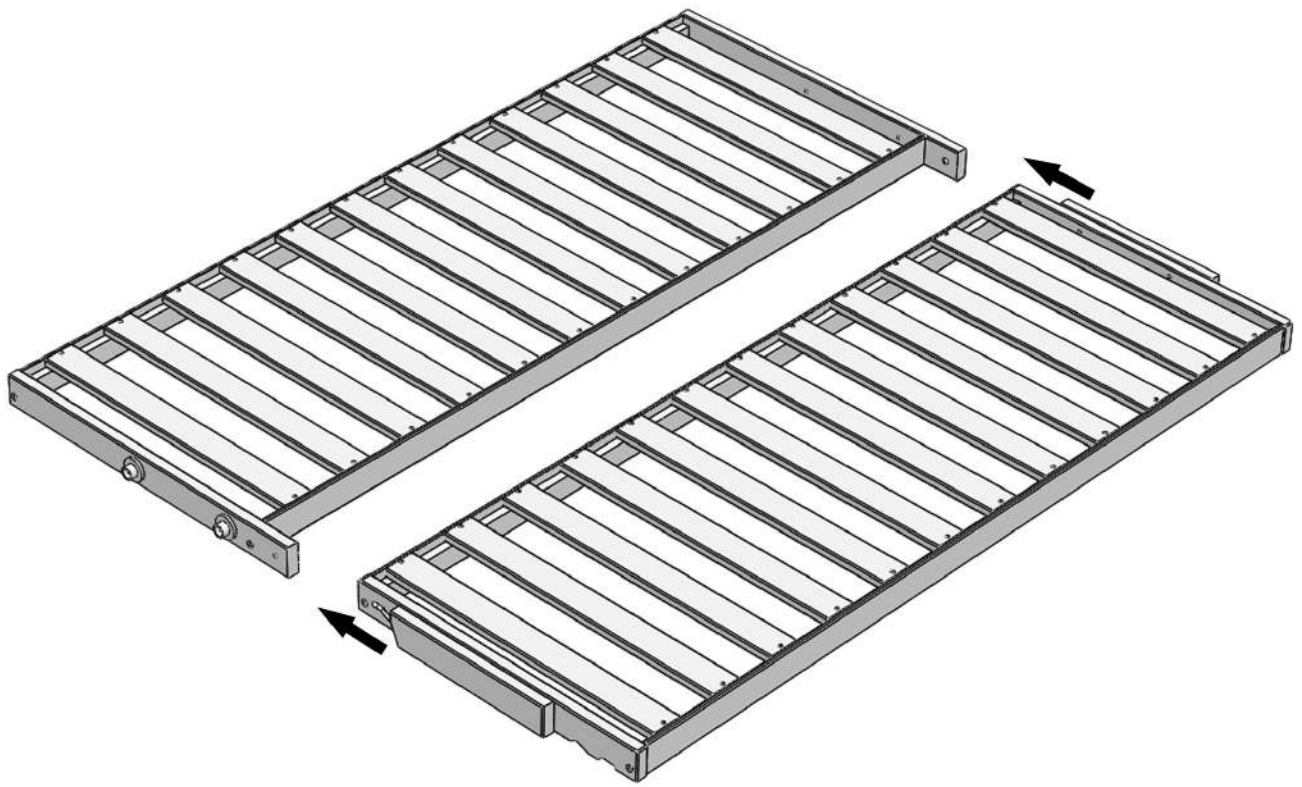


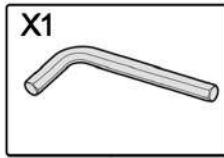
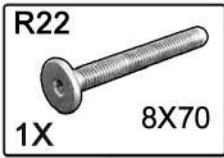
+



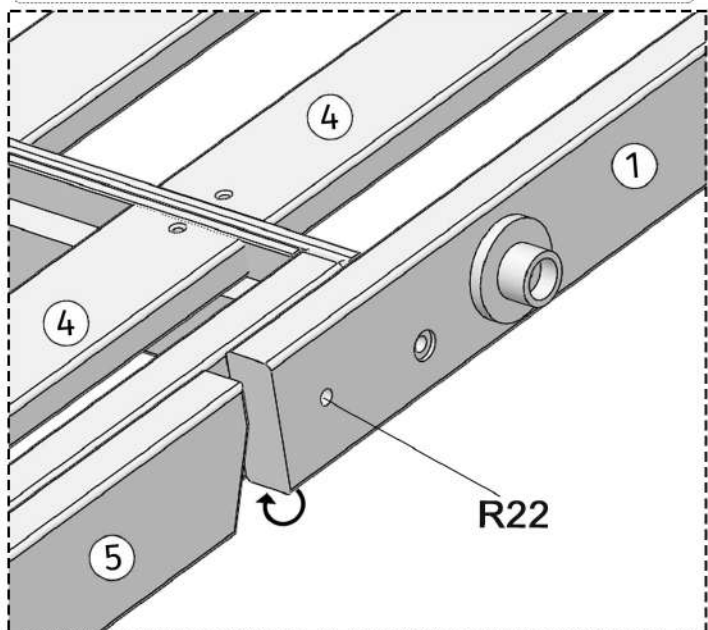
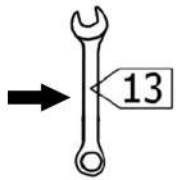
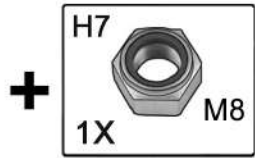
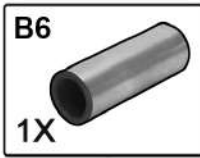
→



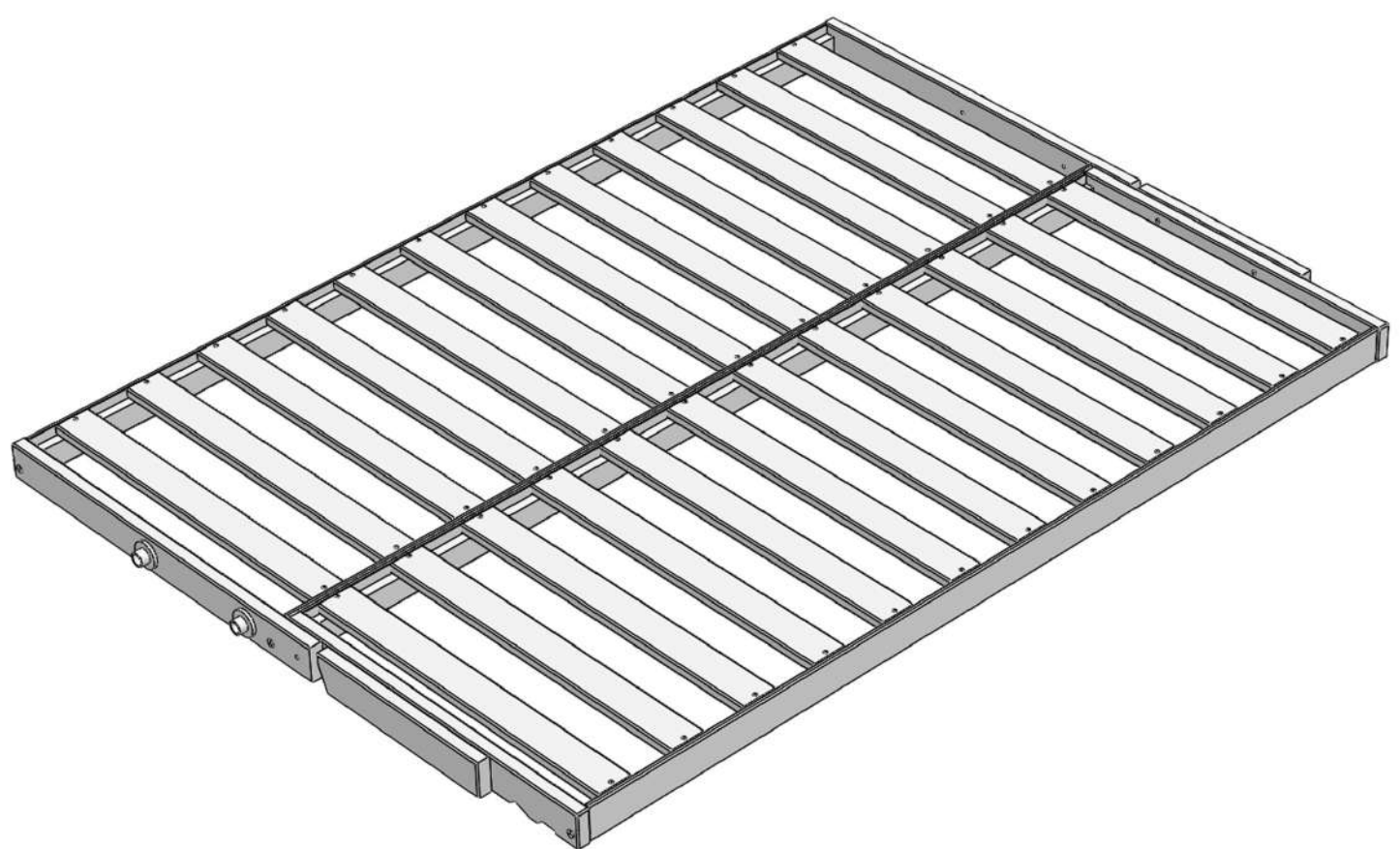
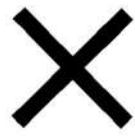
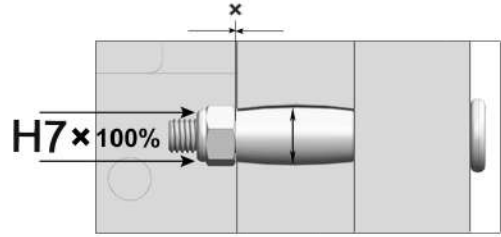
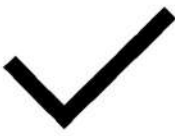
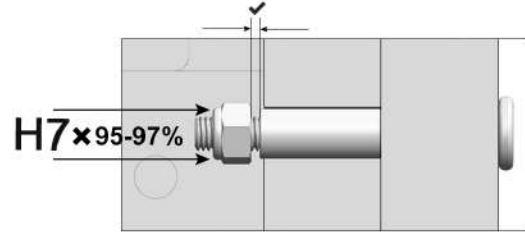
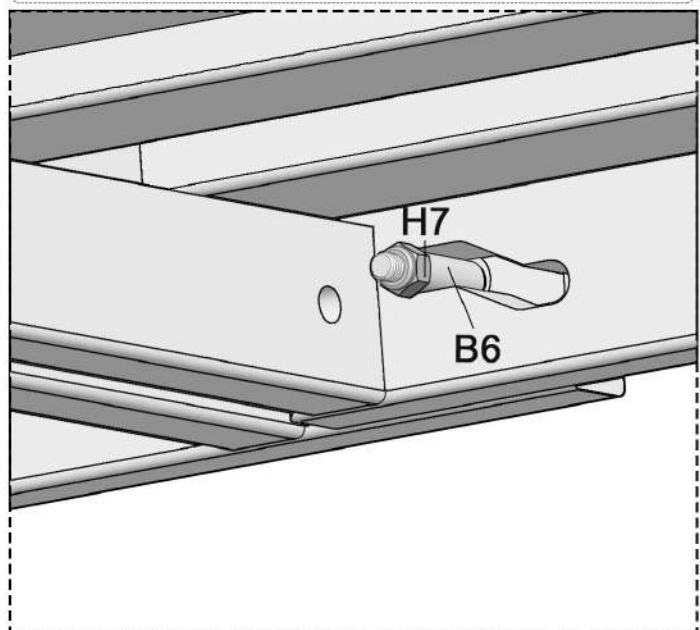




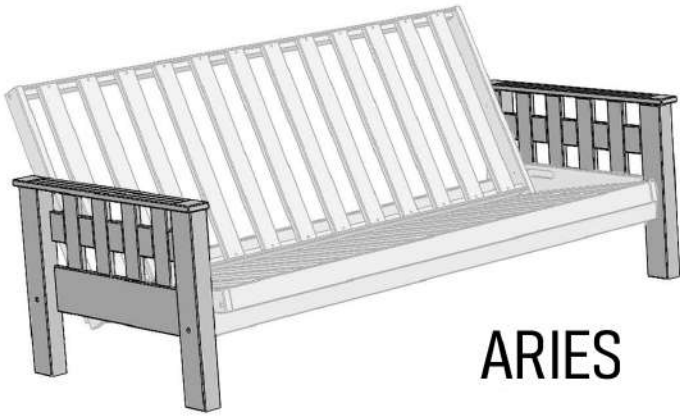
+



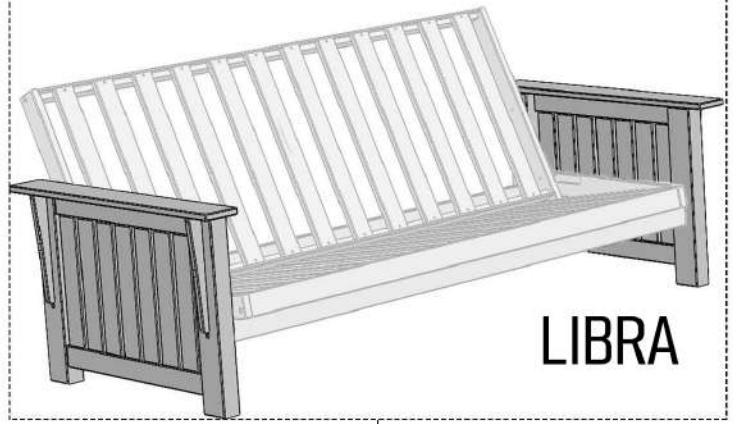
→



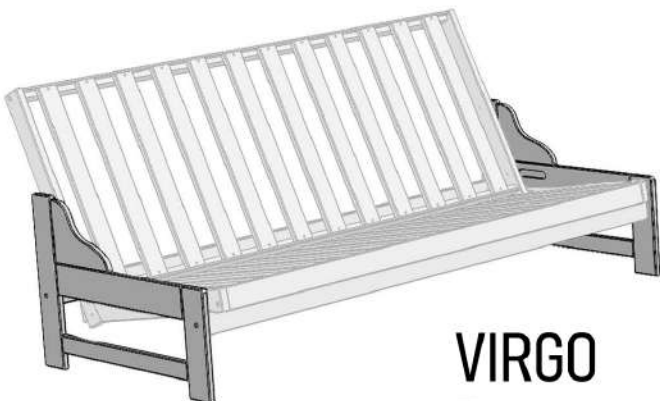
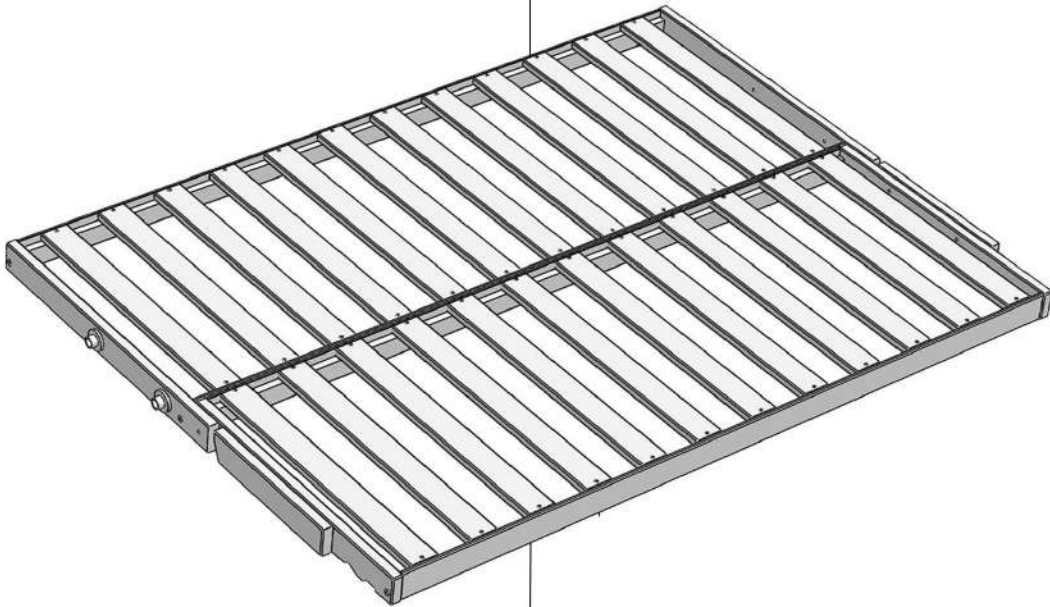
# OPTIONS



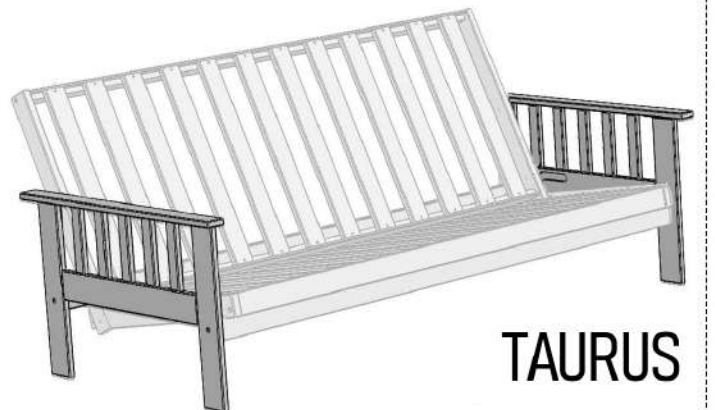
ARIES



LIBRA



VIRGO



TAURUS