

MODEL : F9313Q/F9314Q/F9330Q

Assembly Instruction

(BOX 1)
BOX OF HEADBOARD

NO	ITEM	QTY
A	HEADBOARD	1 PC

(BOX 2)
BOX OF FOOTBOARD AND SIDE RAIL

NO	ITEM	QTY
B	FOOTBOARD	1 PC
C	SIDE RAIL	2 PCS
D	WOODEN LEG 70 x 70 x 50(E)	2 PCS
E	CENTER RAIL 2040mm	1 PC
F	SUPPORT LEG 266mm	2 PCS
G	SLAT 76mm	28 PCS
H	MIDDLE HOLDER	14 PCS
I	END HOLDER	28 PCS
J	STIFFENER SLAT 1536mm	2 PCS

(BOX 3)
BOX OF DRAWER

NO	ITEM	QTY
K	FRONT PANEL	1 PC
L	BACK PANEL	1 PC
M	SIDE PANEL	2 PCS
N	BOTTOM PANEL	1 PC
O	BOTTOM PANEL BIG SUPPORT	3 PCS
P	BOTTOM PANEL SMALL SUPPORT	2 PCS

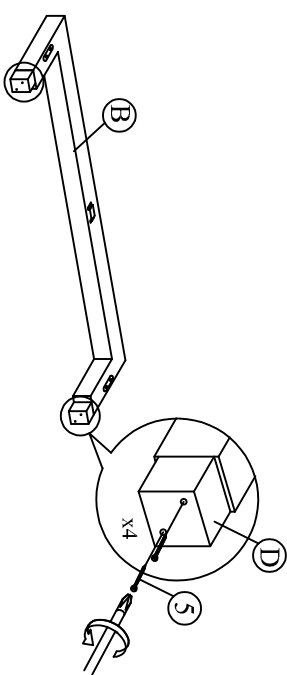
(BOX 2)
DRAWER LIST

NO	ITEM	QTY
1	JCRB M6 x 40	2 PCS
2	M5 x 70 mm	1 PC
3	M4 x 65 mm	1 PC
4	CSK M4 x 32 mm	6 PCS
5	CSK M4 x 50 mm	4 PCS
6	SMALL ADJUSTER	2 PCS

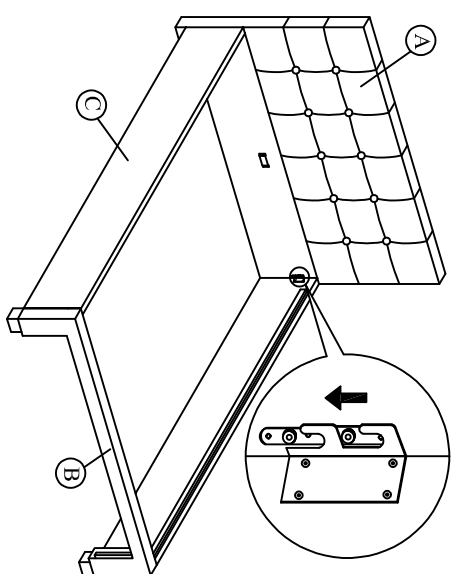
(BOX 3)
DRAWER LIST

NO	ITEM	QTY
7	CSK M4 x 16 mm	24 PCS
8	CSK M4 x 32 mm	16 PCS
9	CSK M4 x 50 mm	8 PCS
10	ROLLER	6 PCS
11	POWER NAIL 6/8	24 PCS
12	METAL STOPPER	2 PCS

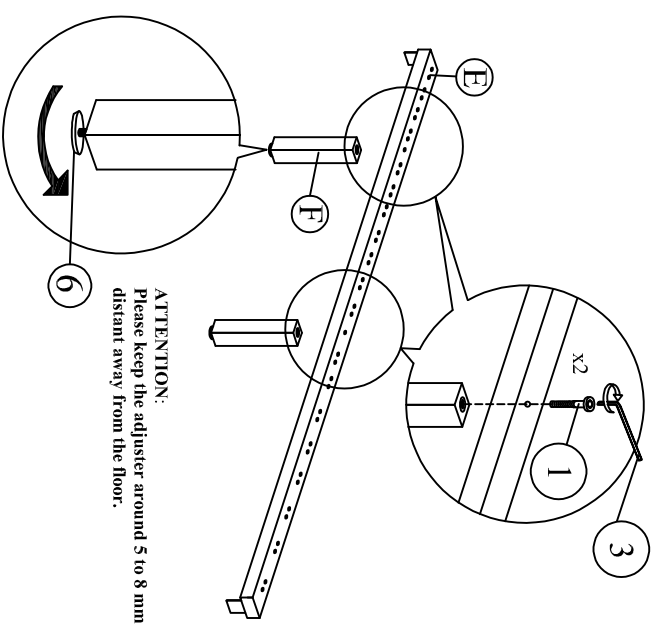
Step 1 : Tighten the legs (D) to footboard (B) as shown.



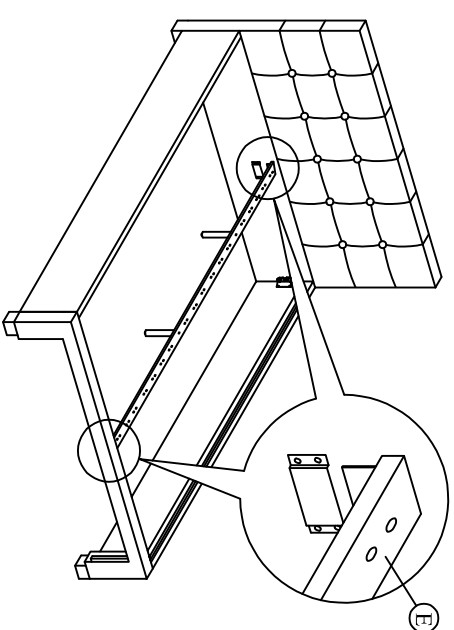
Step 2 : Attach side rail (C) to headboard (A) and footboard (B) by pushing the bracket down to fit it.



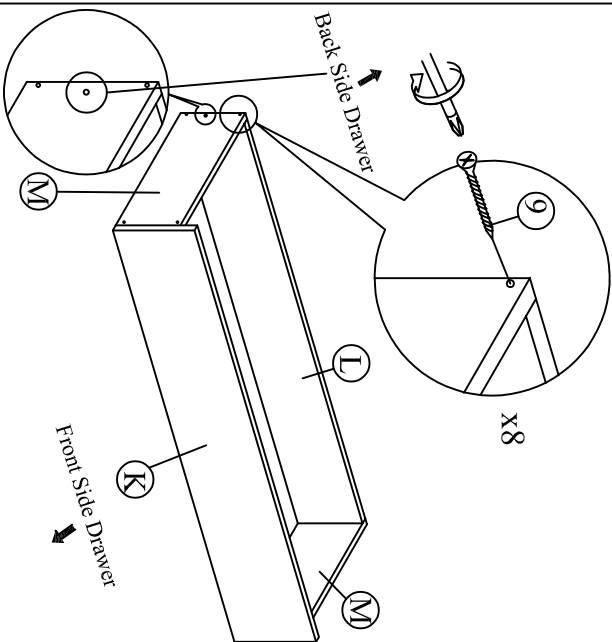
Step 3 : Attach the support legs (F) to the center rail (E) of the bed as shown.



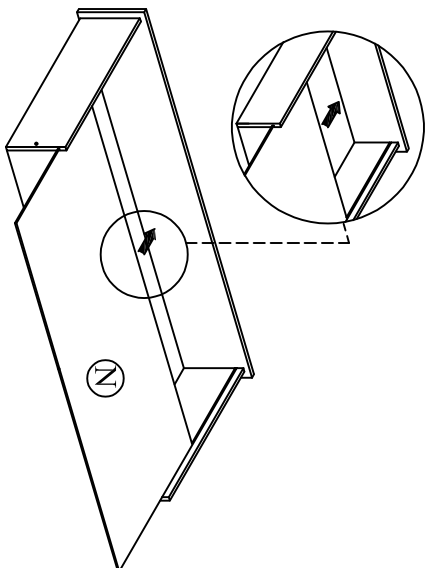
Step 4 : Slide the center rail (E) to the headboard (A) and footboard (B).



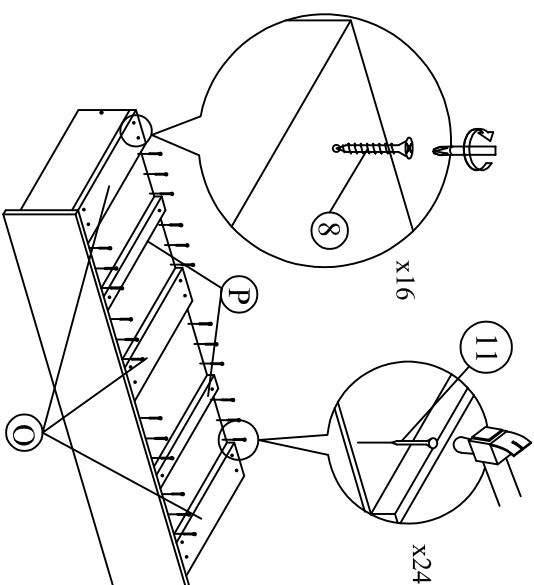
Step 5 : Tighten the side panel (M) to the front panel (K) and back panel (L) with screws (9) using screw driver (not included).



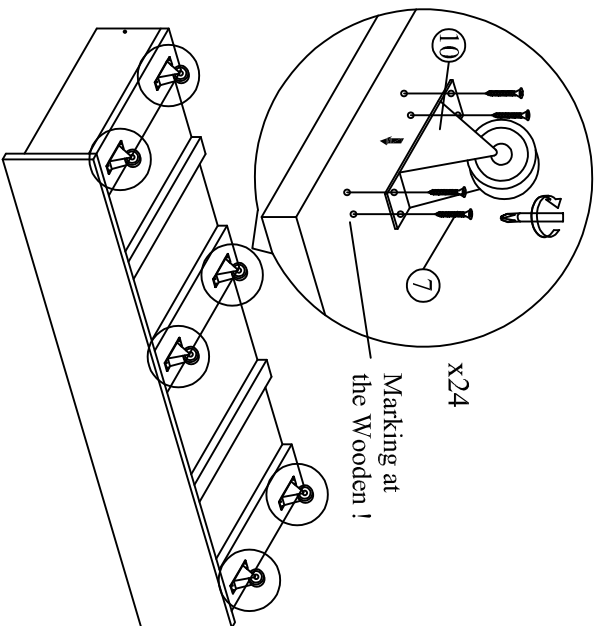
Step 6 : Slide the footboard bottom panel (N) to the set up drawer.



Step 7 : Tighten the bottom panel support (O & P) with screws (8) using screw driver (not included). Attach the bottom panel with Nail (11) using the hammer (not included).



Step 8 : Tighten the roller (10) with screws (7) using screw driver (not included).



Step 9 : Affix the Stiffener Slat (J) to the side rail support wood and the center rail (E). Tighten all the 4 corner, follow by assembly of the slat holders with LVL slats as shown.

