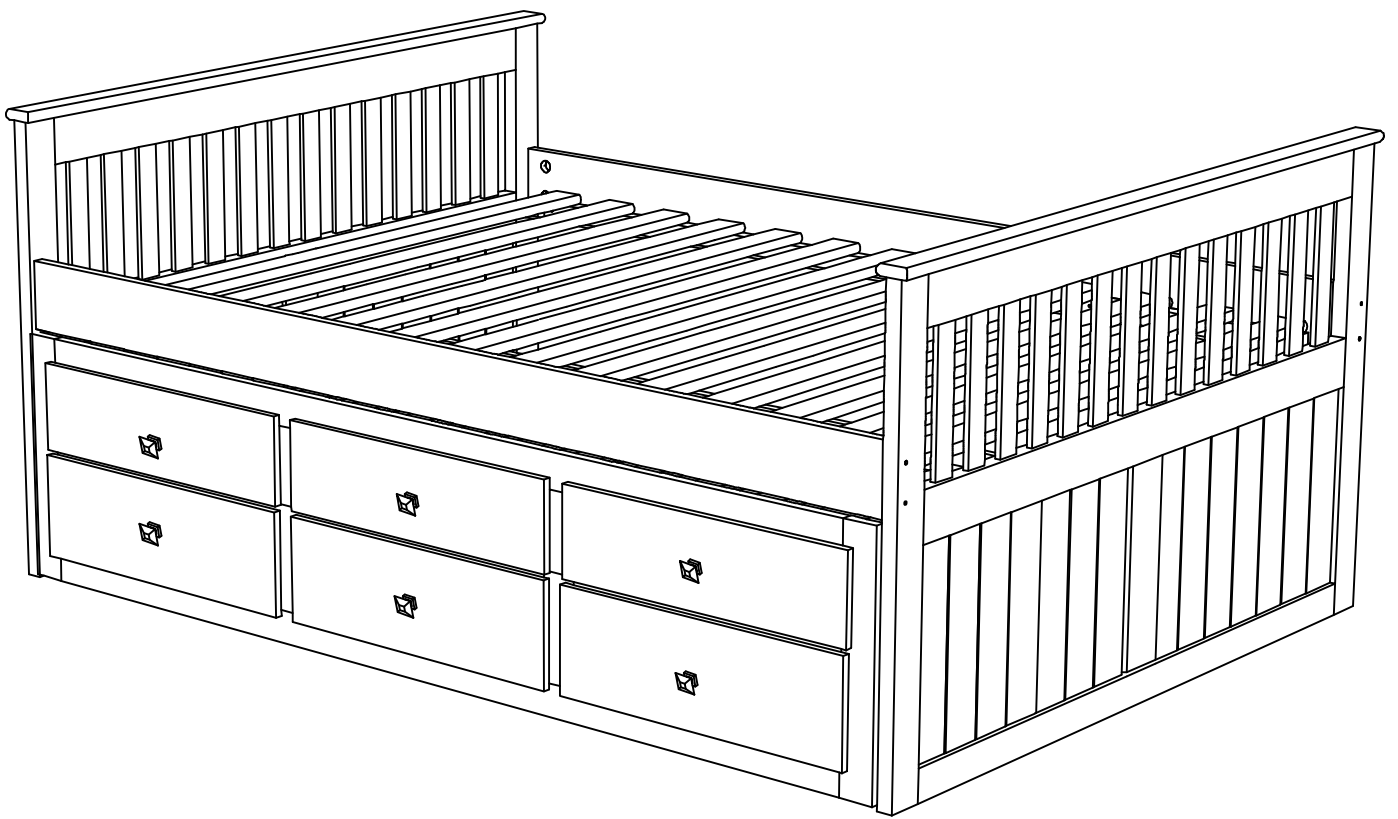
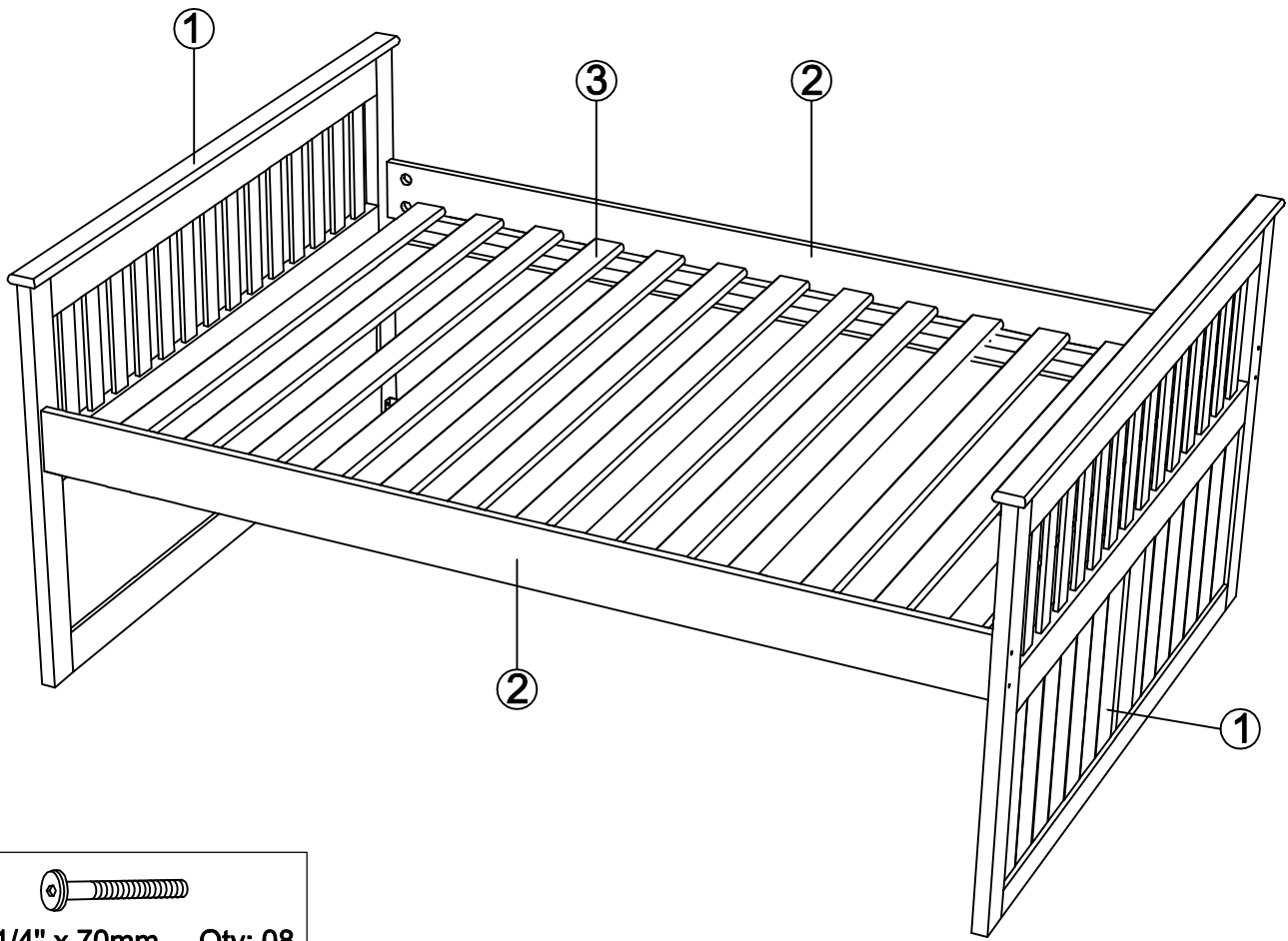




ASSEMBLY INSTRUCTIONS - TWIN MISSION CAPTAINS BED



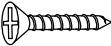


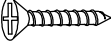
A		$\text{Ø}1/4" \times 70\text{mm}$ Qty: 08
----------	---	---

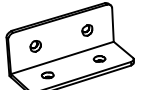
B		Half Moon 1/4" Qty: 08
----------	---	------------------------

D		$\text{Ø}10 \times 40\text{mm}$ Qty: 04
----------	---	---

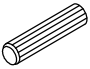
I		Allen Key Qty: 01
----------	---	-------------------

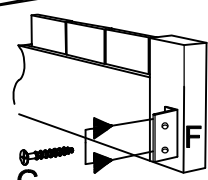
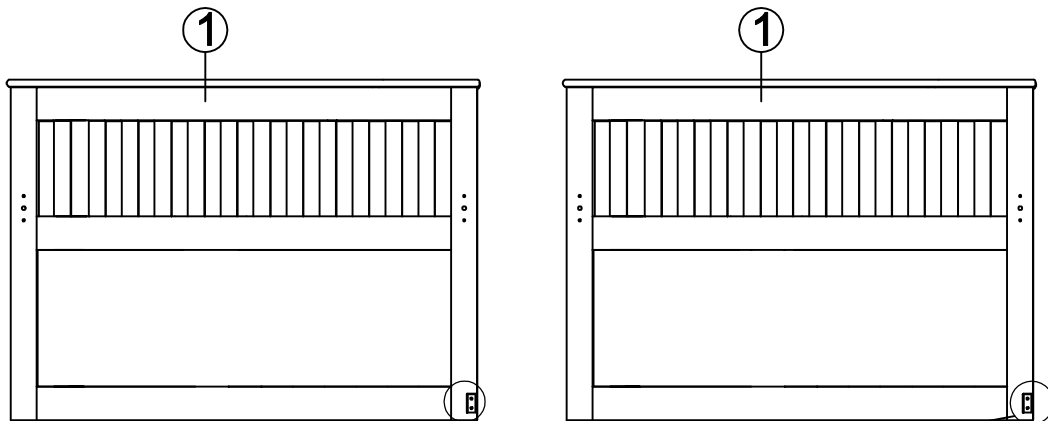
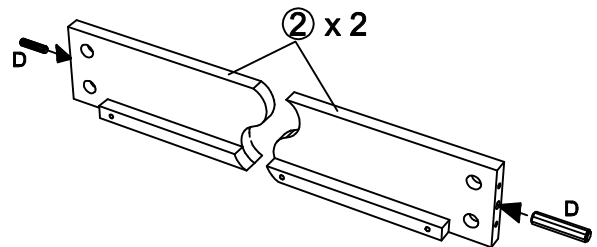
E		$\text{Ø}4 \times 30 \text{ mm}$ Qty: 08
----------	---	--

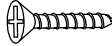
G		$\text{Ø}3.5 \times 20\text{mm}$ Qty: 04
----------	--	--

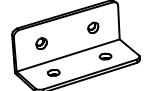
F		Qty: 02
----------	--	---------

Step 01

D		$\text{Ø}10 \times 40\text{mm}$ Qty: 04
----------	---	---




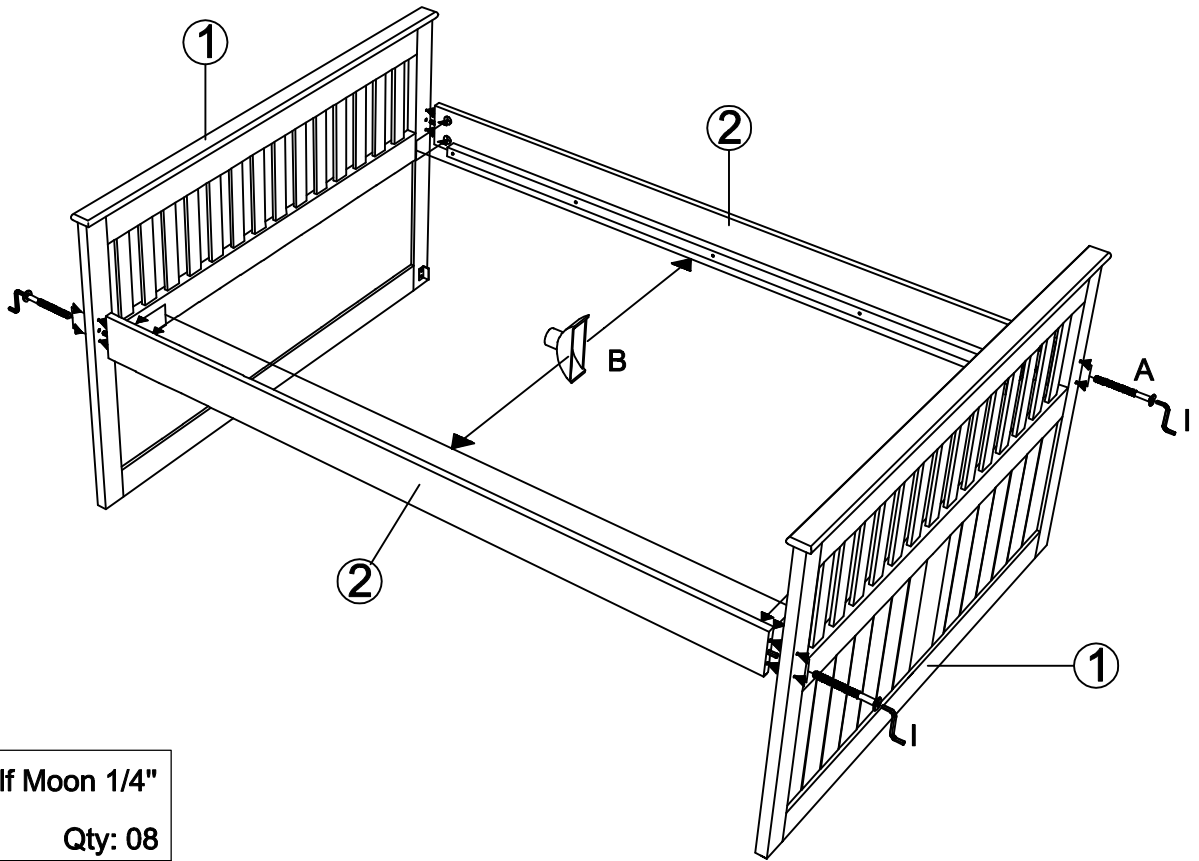
G		$\text{Ø}3.5 \times 20\text{mm}$ Qty: 04
----------	---	--

F		Qty: 02
----------	---	---------

Step 02

A


Ø1/4" x 70mm Qty: 08



B



Half Moon 1/4"

Qty: 08

I

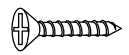


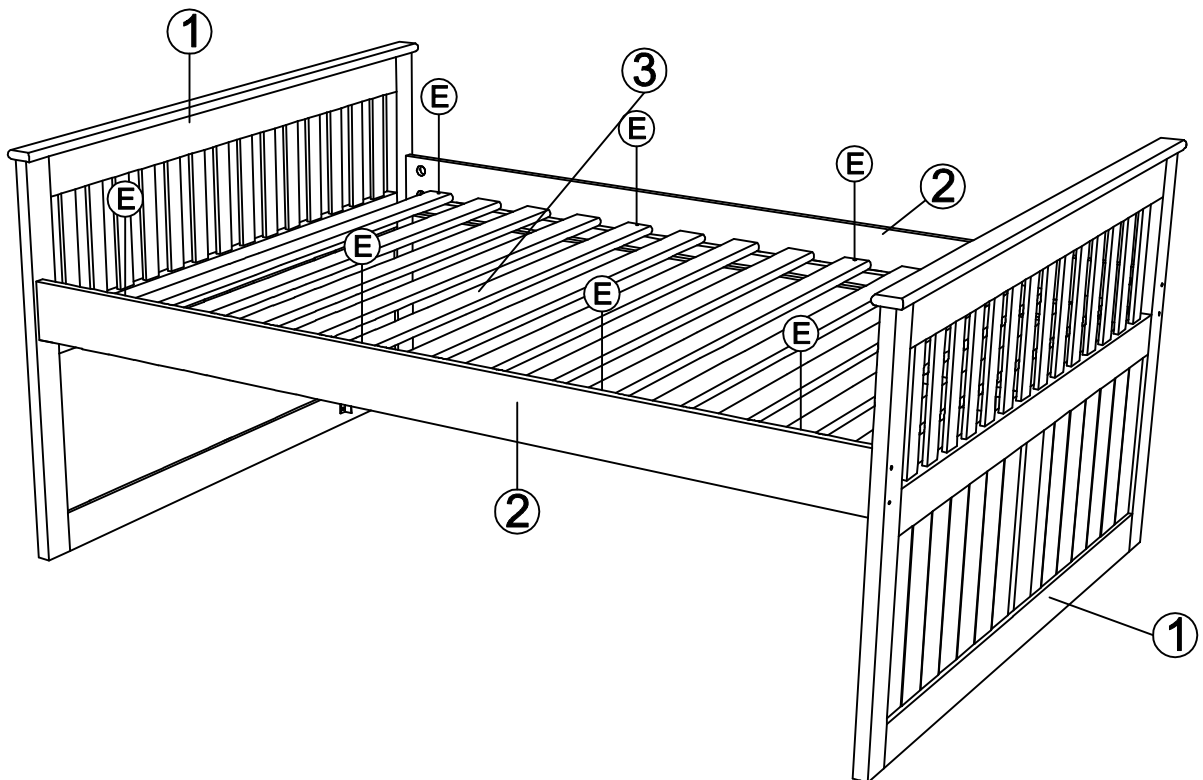
Allen Key

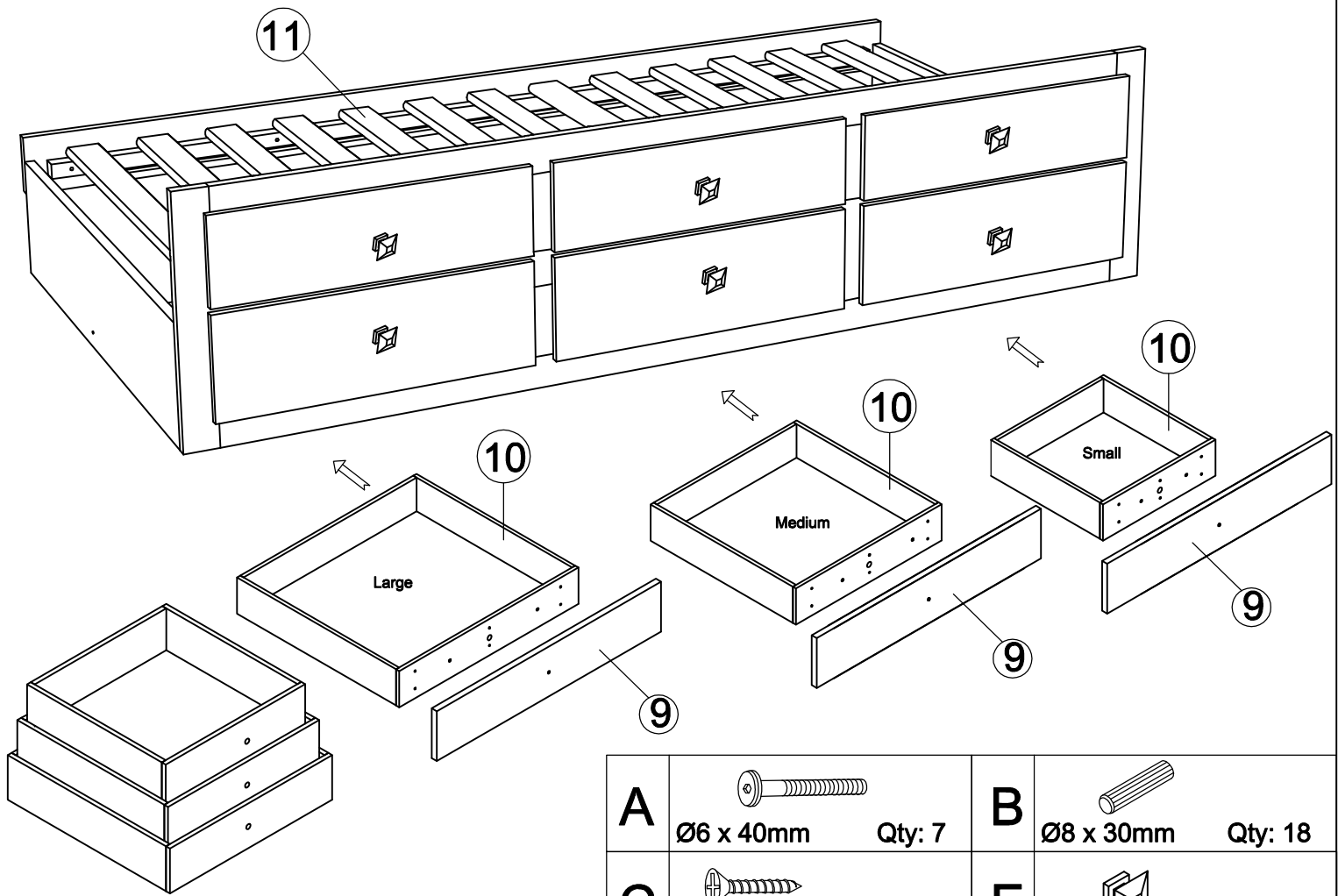
Qty: 01



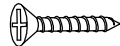

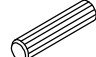

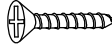
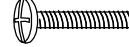
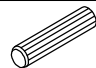
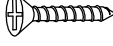
Step 03

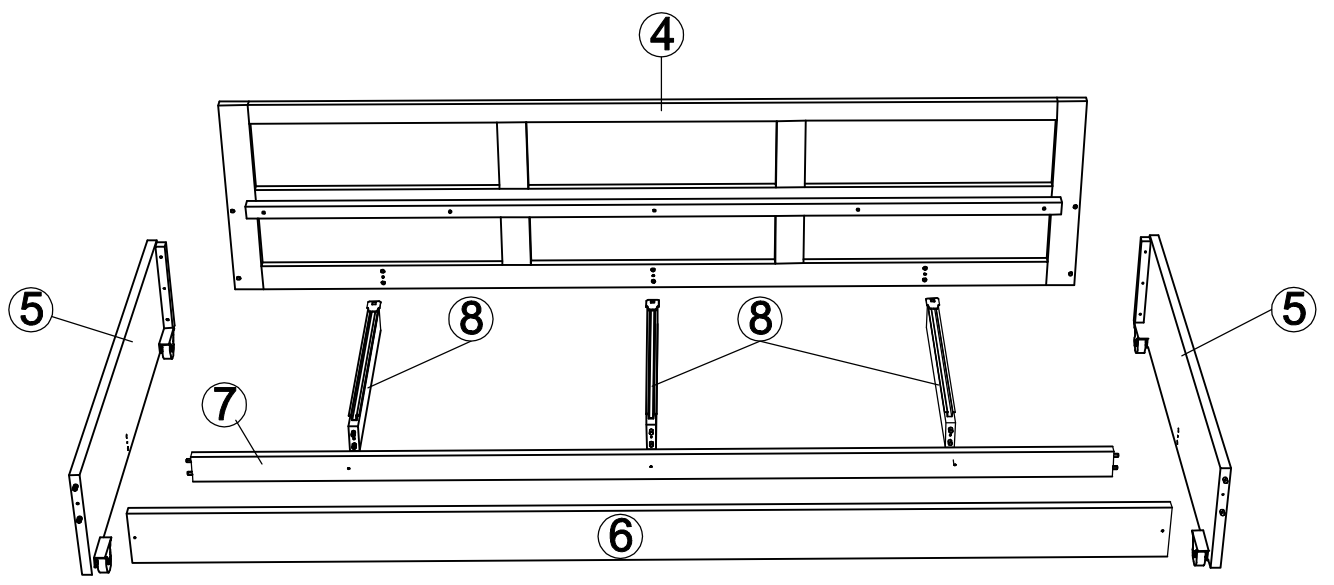
E


Ø4x30 mm Qty: 08

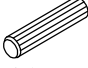



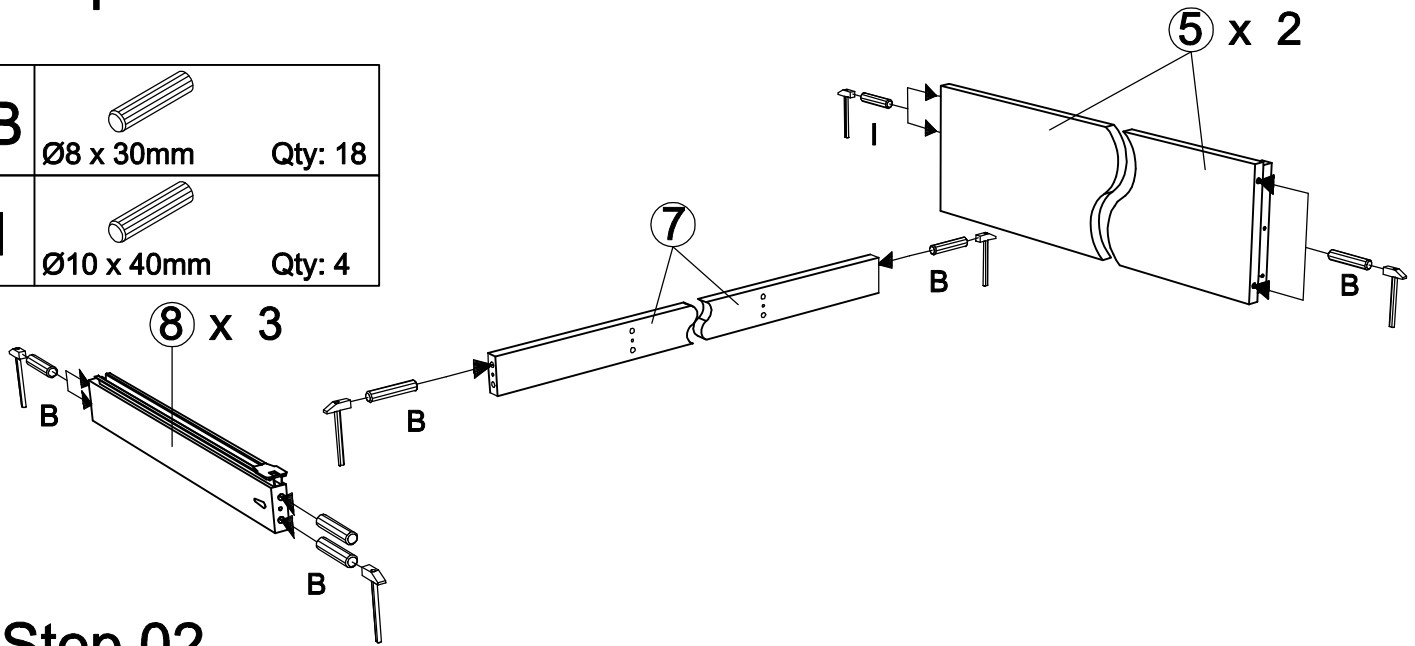


A	 Ø6 x 40mm	Qty: 7	B	 Ø8 x 30mm	Qty: 18
C	 Ø4 x 30mm	Qty: 17	E		Qty: 06
F	 Ø8 x 20mm	Qty: 06	G		Qty: 04
H	 Ø3x15mm	Qty: 16	J	 Ø4x25mm	Qty: 06
I	 Ø10 x 40mm	Qty: 4	M	 Ø4 x 20mm	Qty: 18

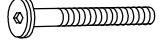
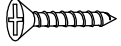

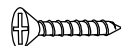


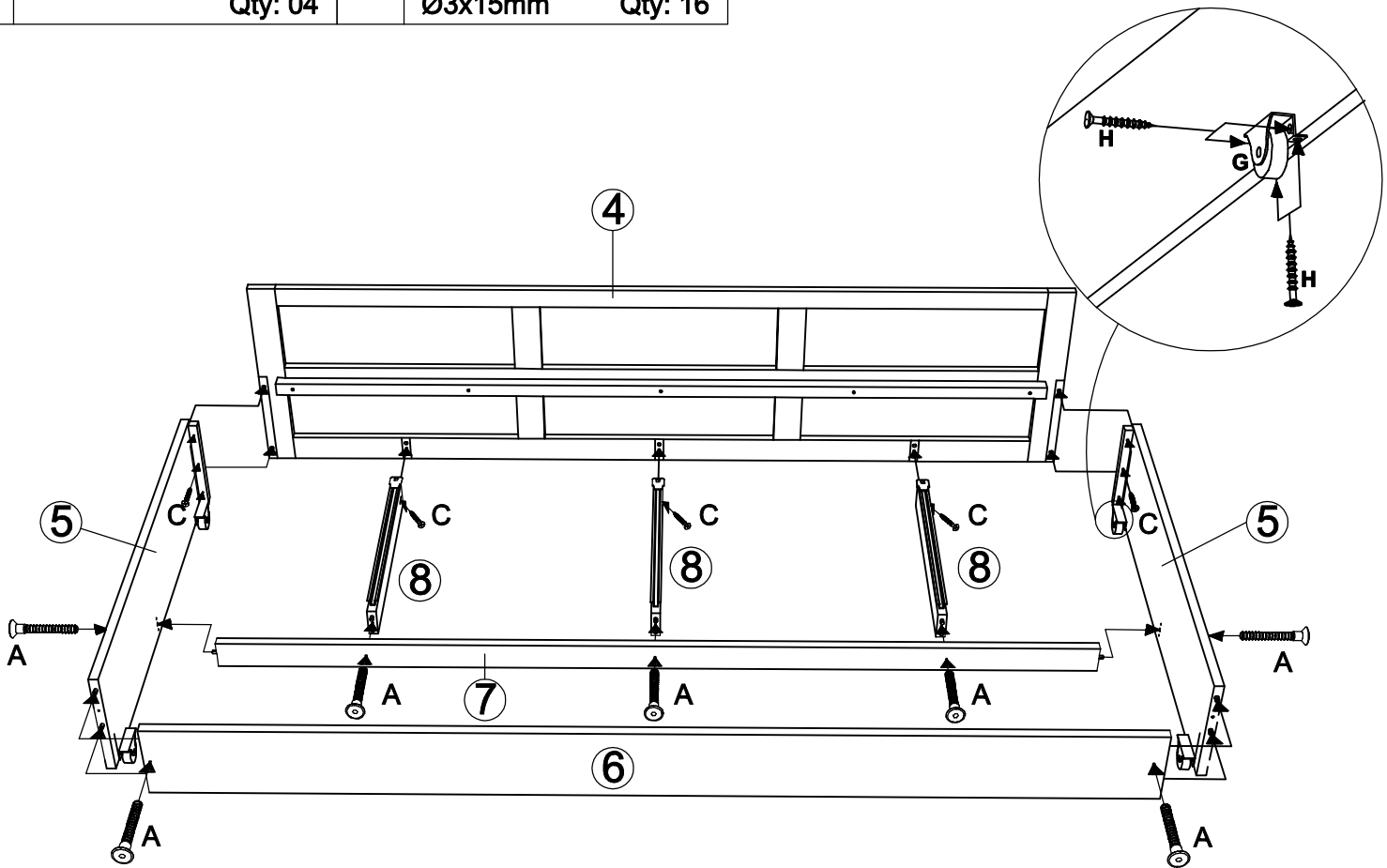
Step 01

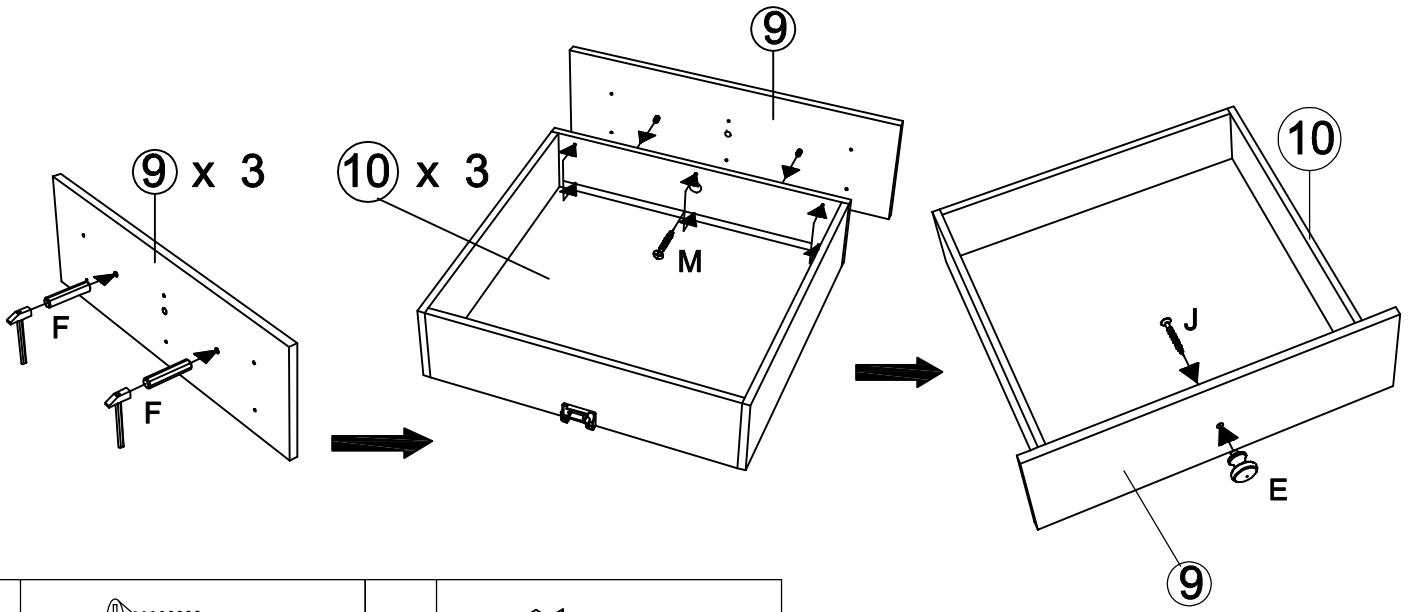
B	 Ø8 x 30mm	Qty: 18
I	 Ø10 x 40mm	Qty: 4

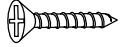

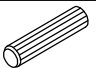



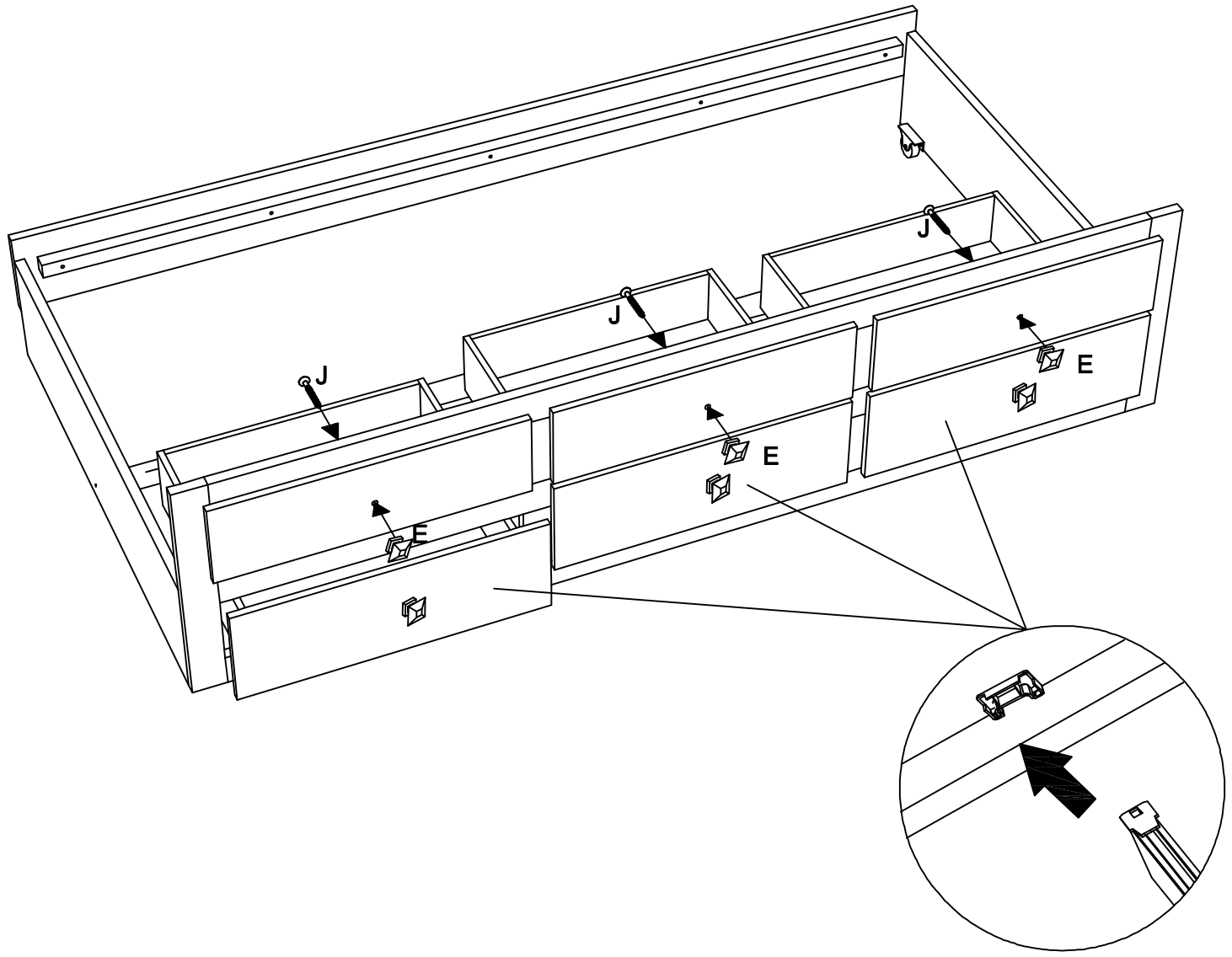
Step 02

A	 Ø6 x 40mm	Qty: 7	C	 Ø4 x 30mm	Qty: 9
G	 Qty: 04		H	 Ø3x15mm	Qty: 16

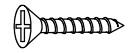




M		Ø4x20 mm	Qty: 18	E		Qty: 06	
F		Ø8 x 20mm	Qty: 06	J		Ø4x25mm	Qty: 06

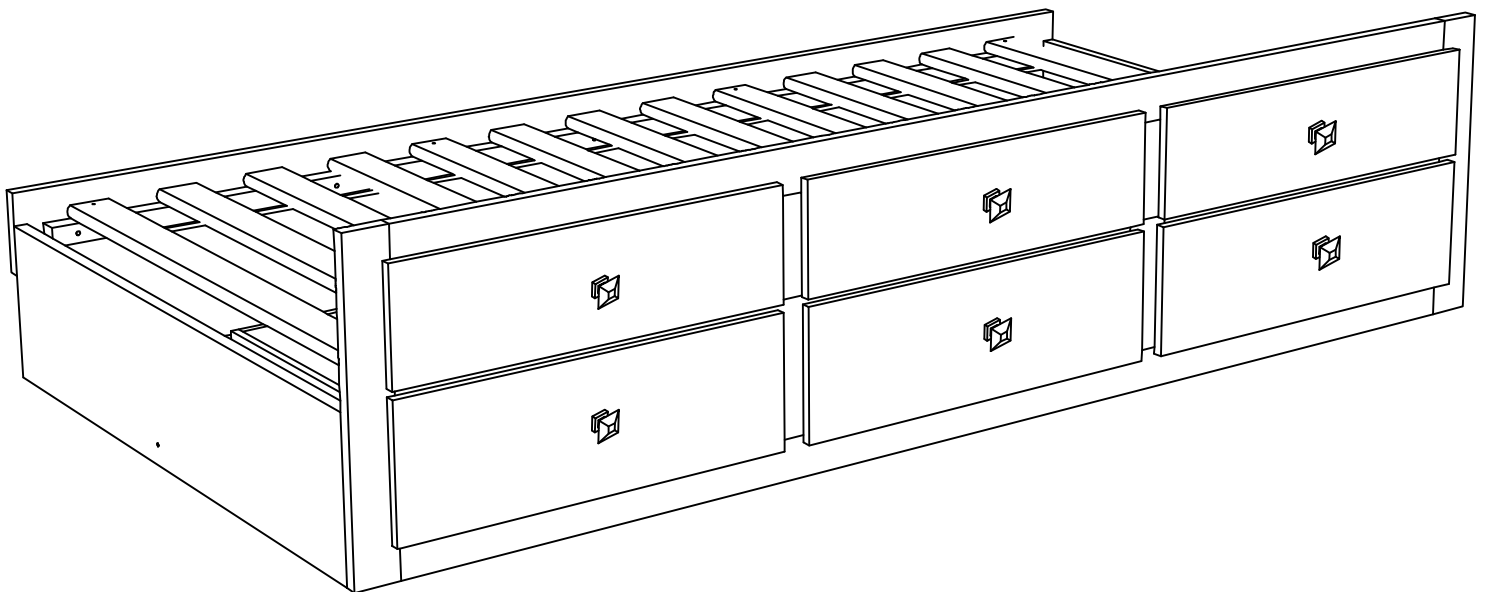
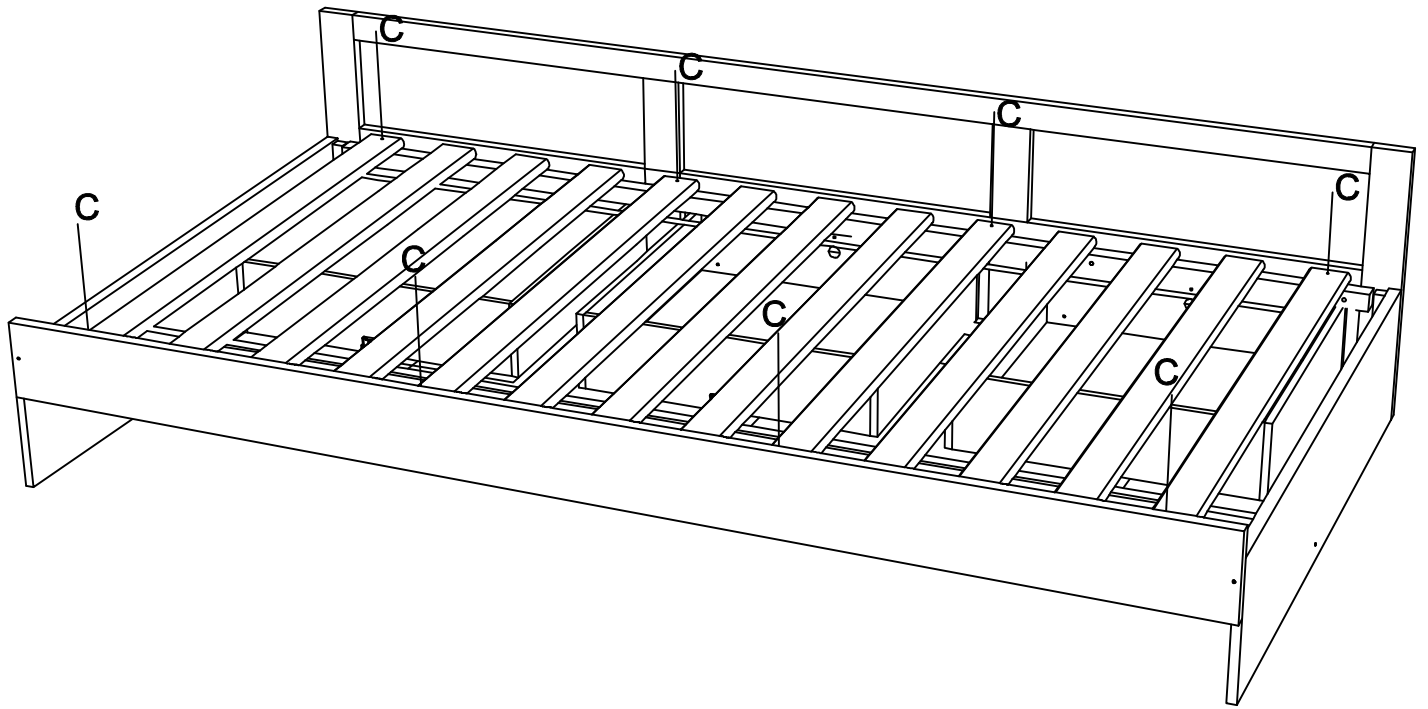


C

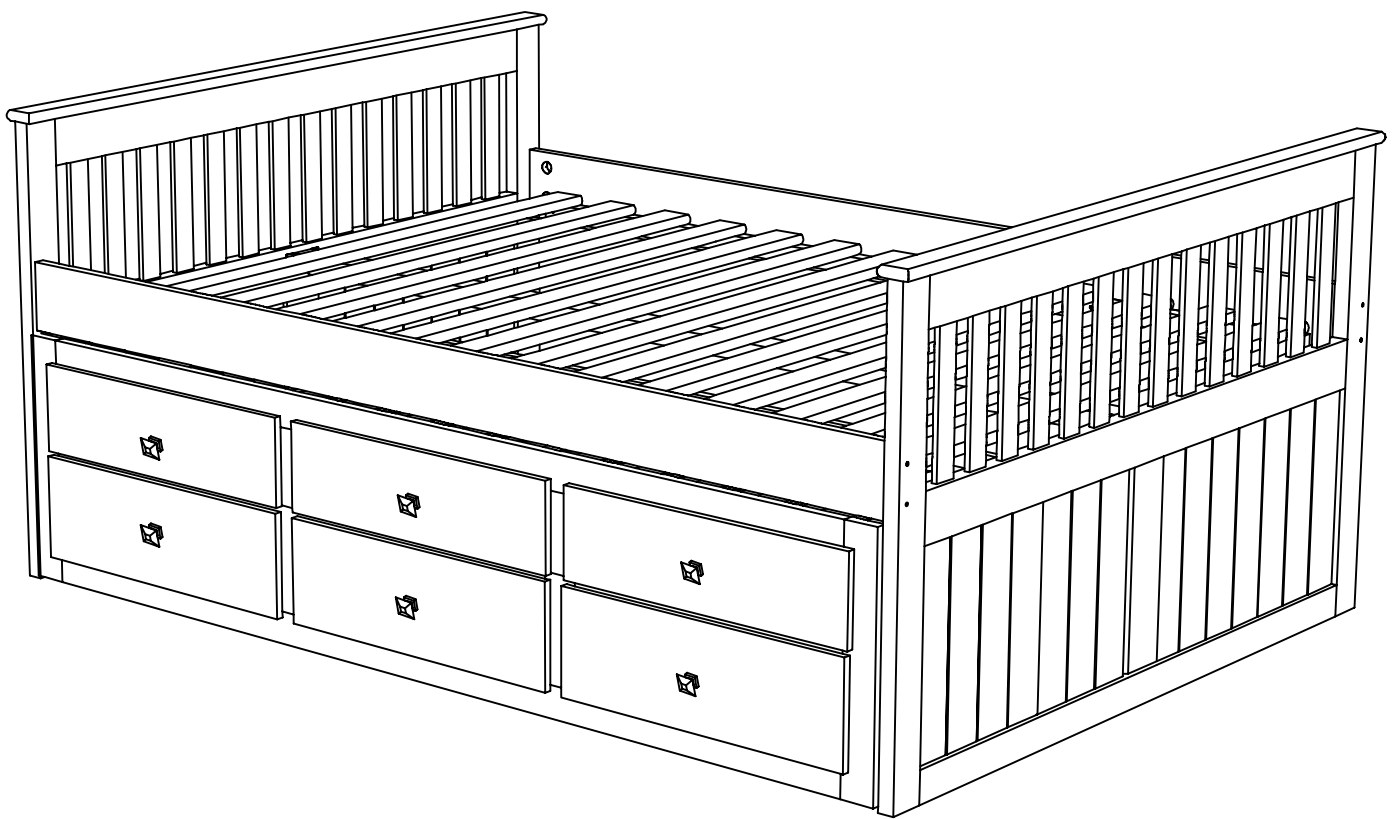


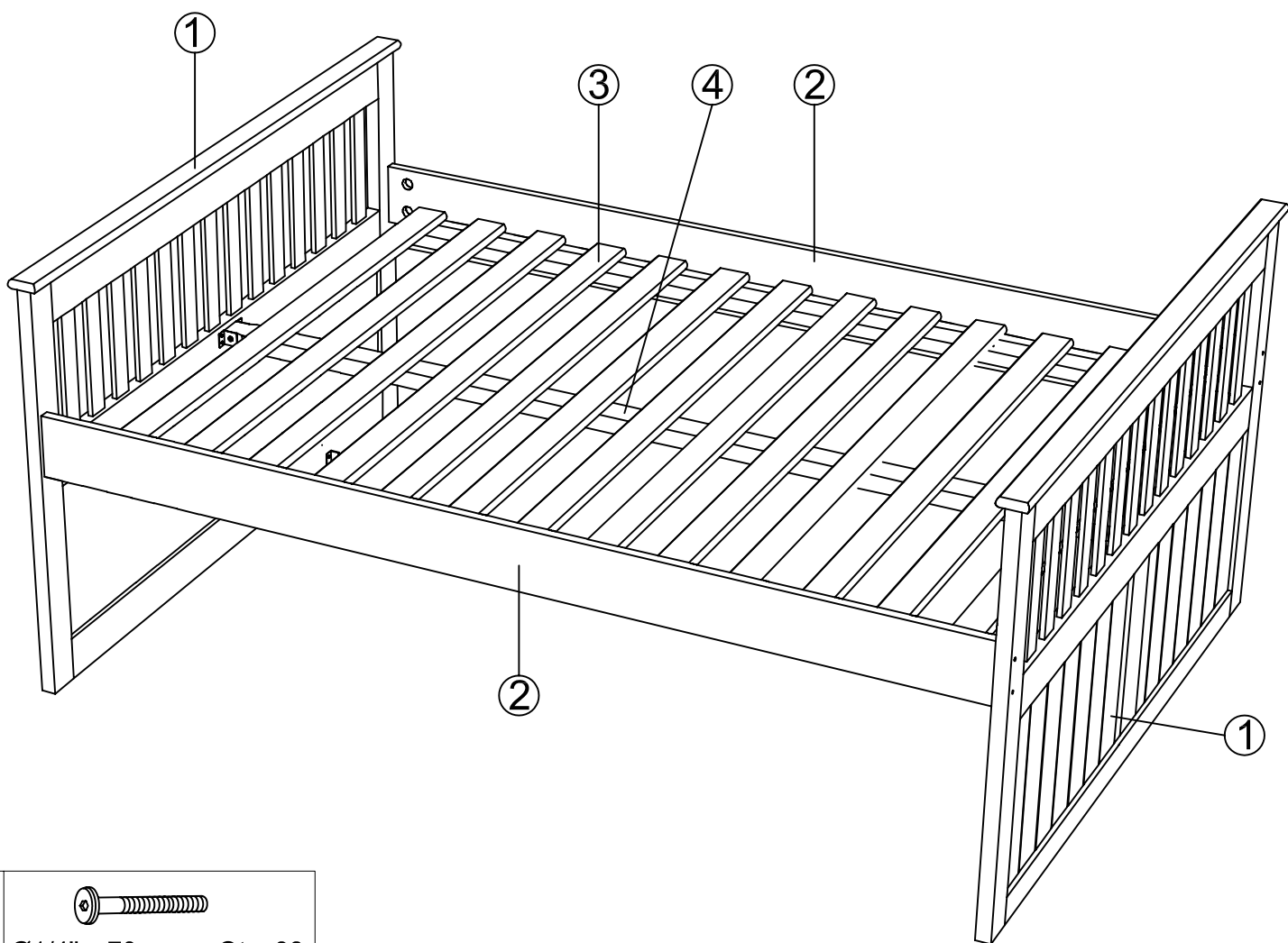
Ø4 x 30mm


Qty: 8




ASSEMBLY INSTRUCTIONS - FULL MISSION CAPTAINS BED

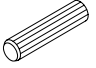


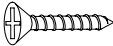


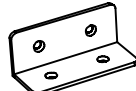
A	 Ø1/4" x 70mm Qty: 08
----------	---

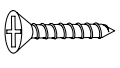
B	 Half Moon 1/4" Qty: 08
----------	--

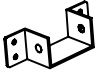
I	 Allen Key Qty: 01
----------	---


D	 Ø10x40mm Qty: 04
----------	---

E	 Ø4x30 mm Qty: 08
----------	---

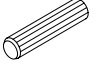
F	 Qty: 02
----------	---

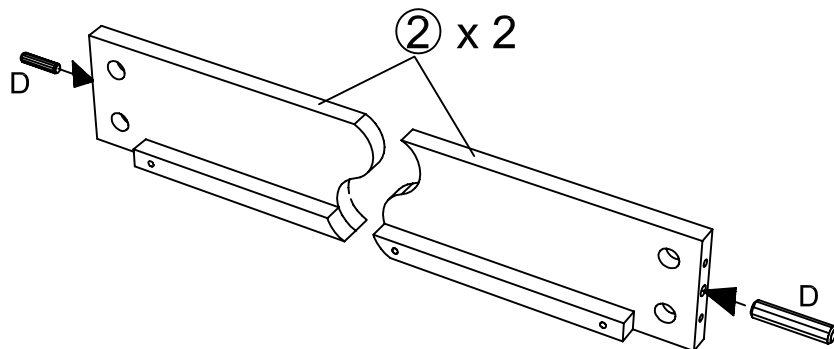
G	 Ø3.5x 20mm Qty: 12
----------	---

H	 Qty: 02
----------	--

J	 Ø6x45 mm Qty: 02
----------	--

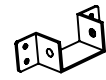
Step 01

D	 Ø10x40mm Qty: 04
----------	---

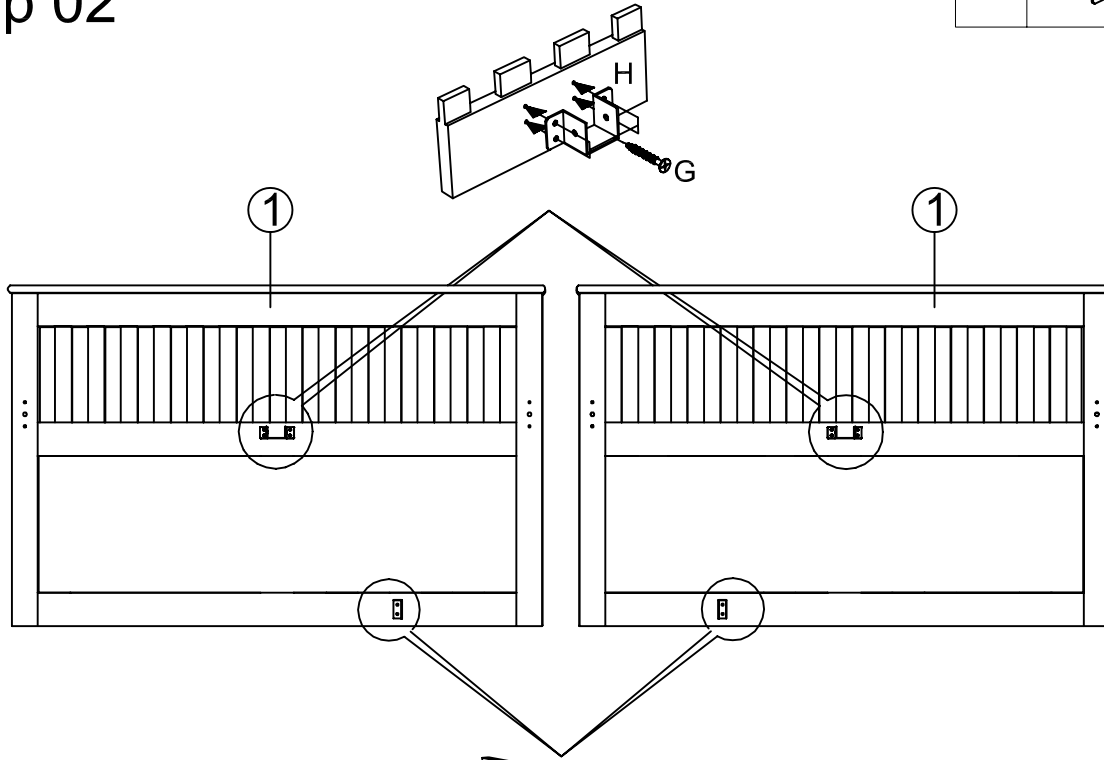


Step 02

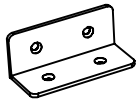
H



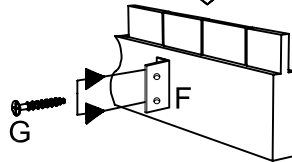
Qty: 02



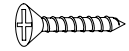
F



Qty: 02



G



Ø3.5x 20mm

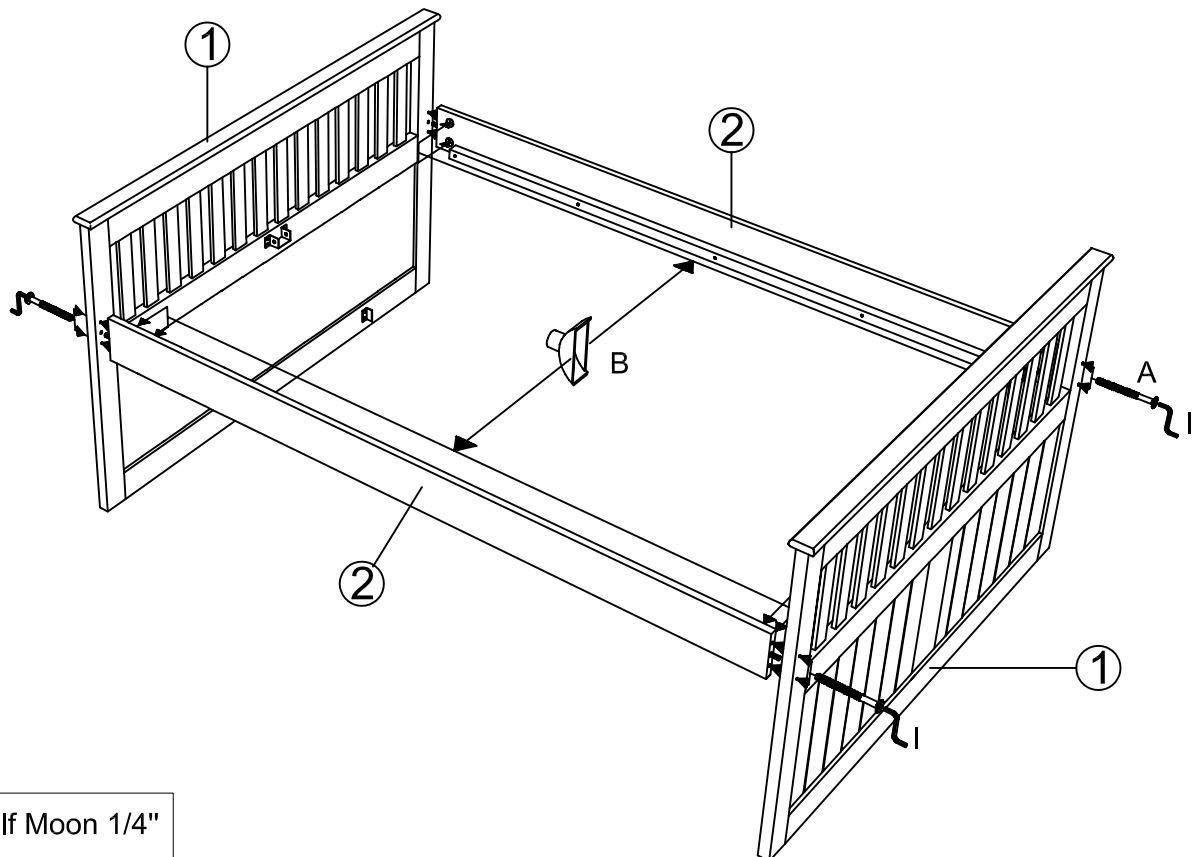
Qty: 12

Step 03

A



Ø1/4" x 70mm Qty: 08



B



Half Moon 1/4"

Qty: 08

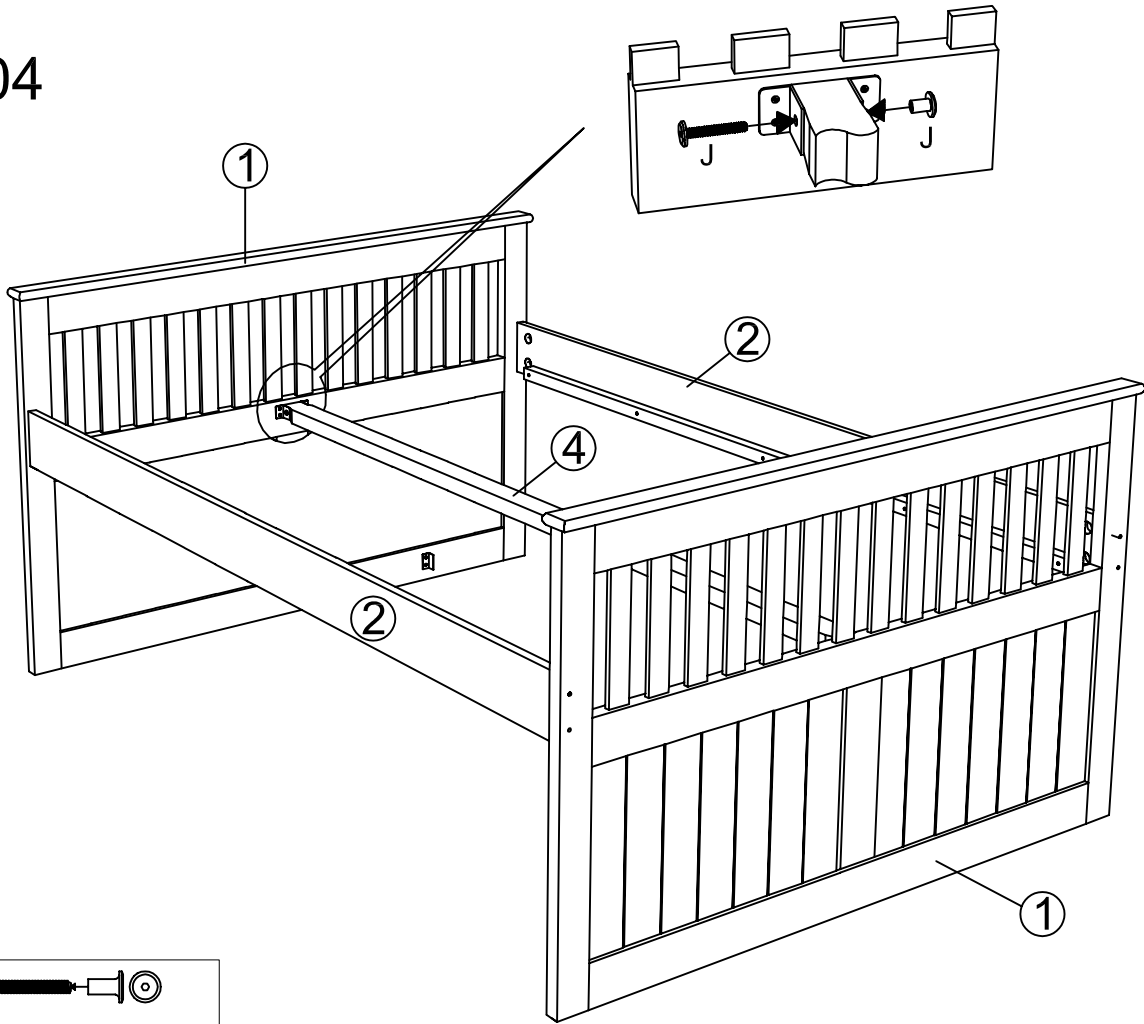
I



Allen Key

Qty: 01

Step 04



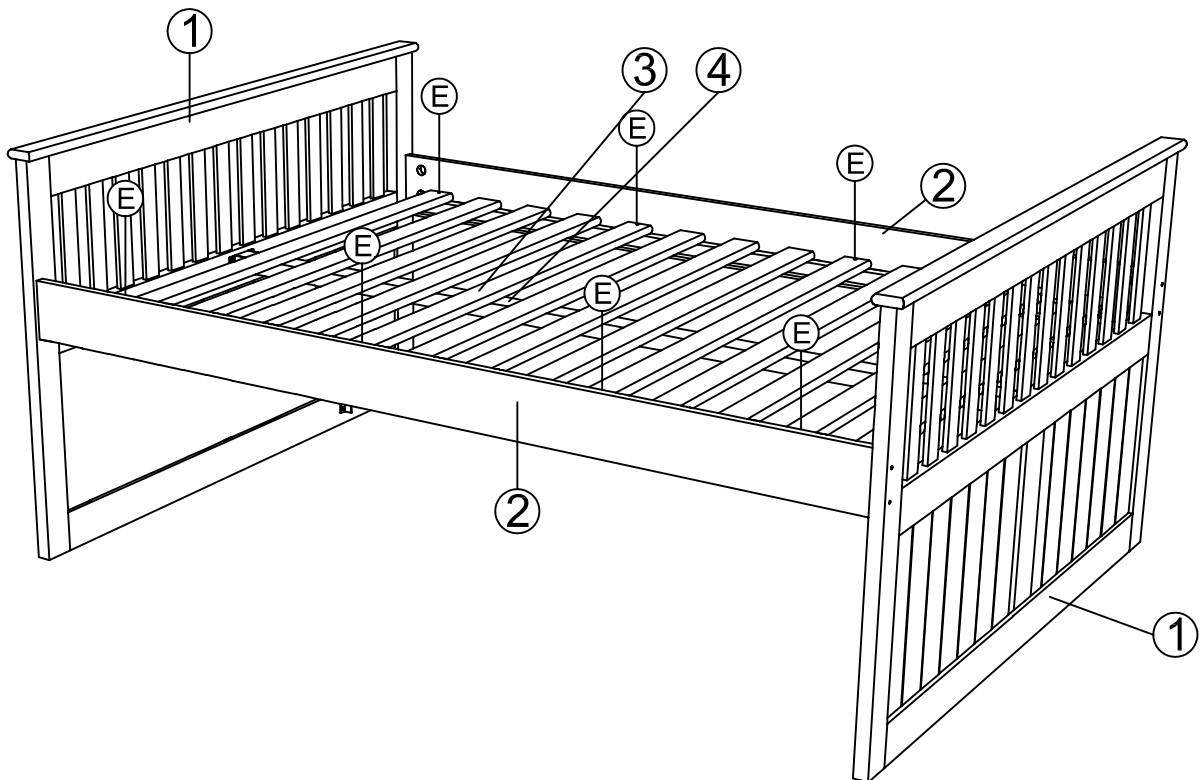
J



Ø6x45 mm

Qty: 02

Step 05

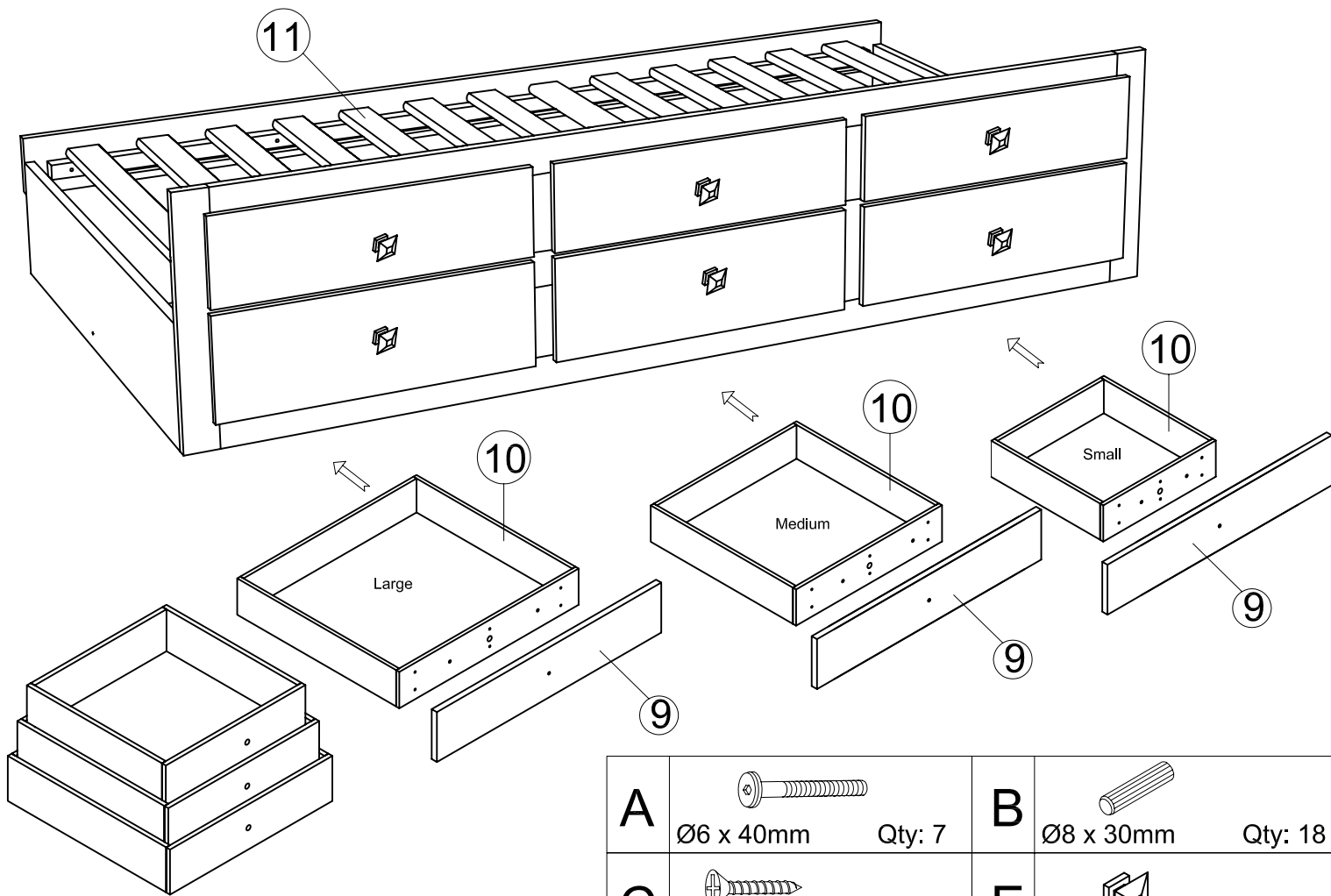


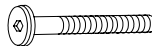

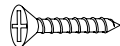

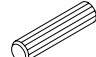
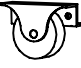
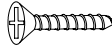
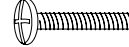

E

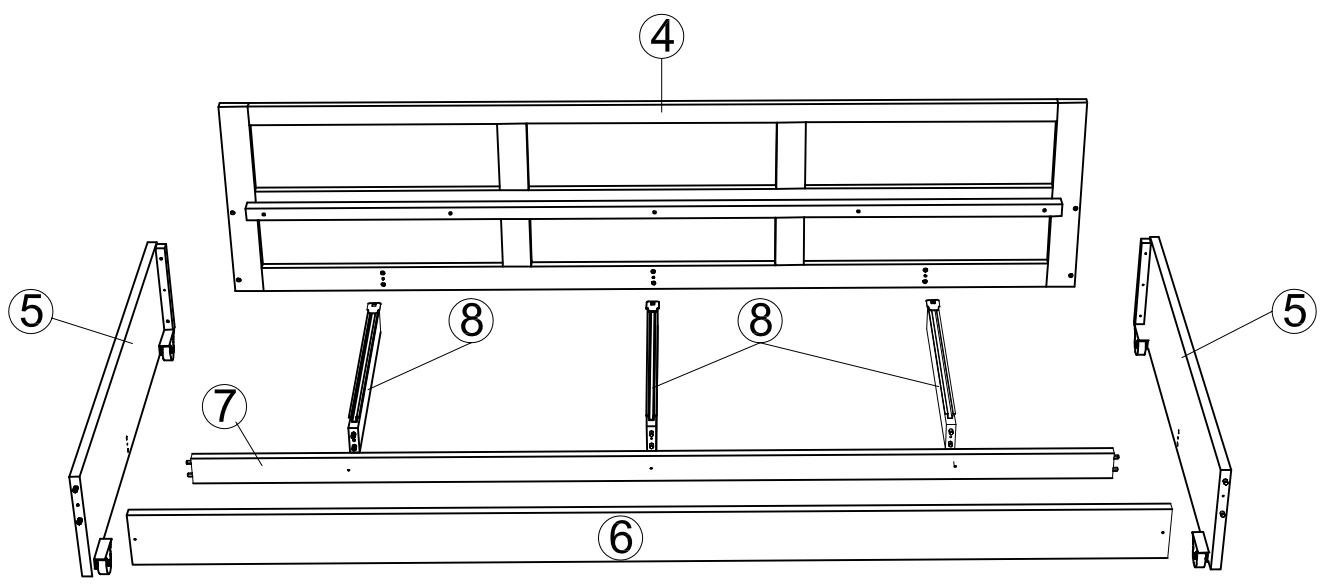


Ø4x30 mm

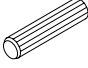
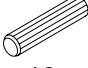
Qty: 08

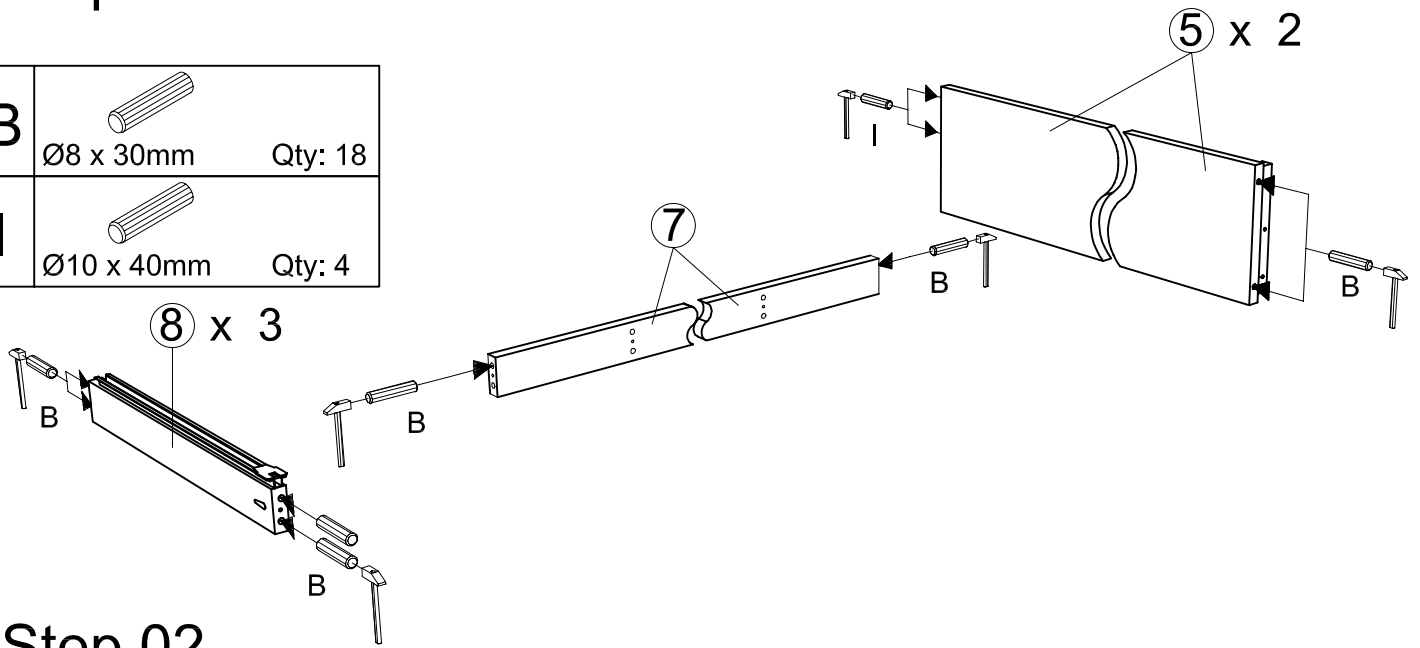


A	 Ø6 x 40mm	Qty: 7	B	 Ø8 x 30mm	Qty: 18
C	 Ø4 x 30mm	Qty: 35	E	 Qty: 06	
F	 Ø8 x 20mm	Qty: 06	G	 Qty: 04	
H	 Ø3x15mm	Qty: 16	J	 Ø4x25mm	Qty: 06
I	 Ø10 x 40mm	Qty: 4			

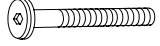
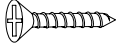

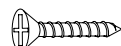


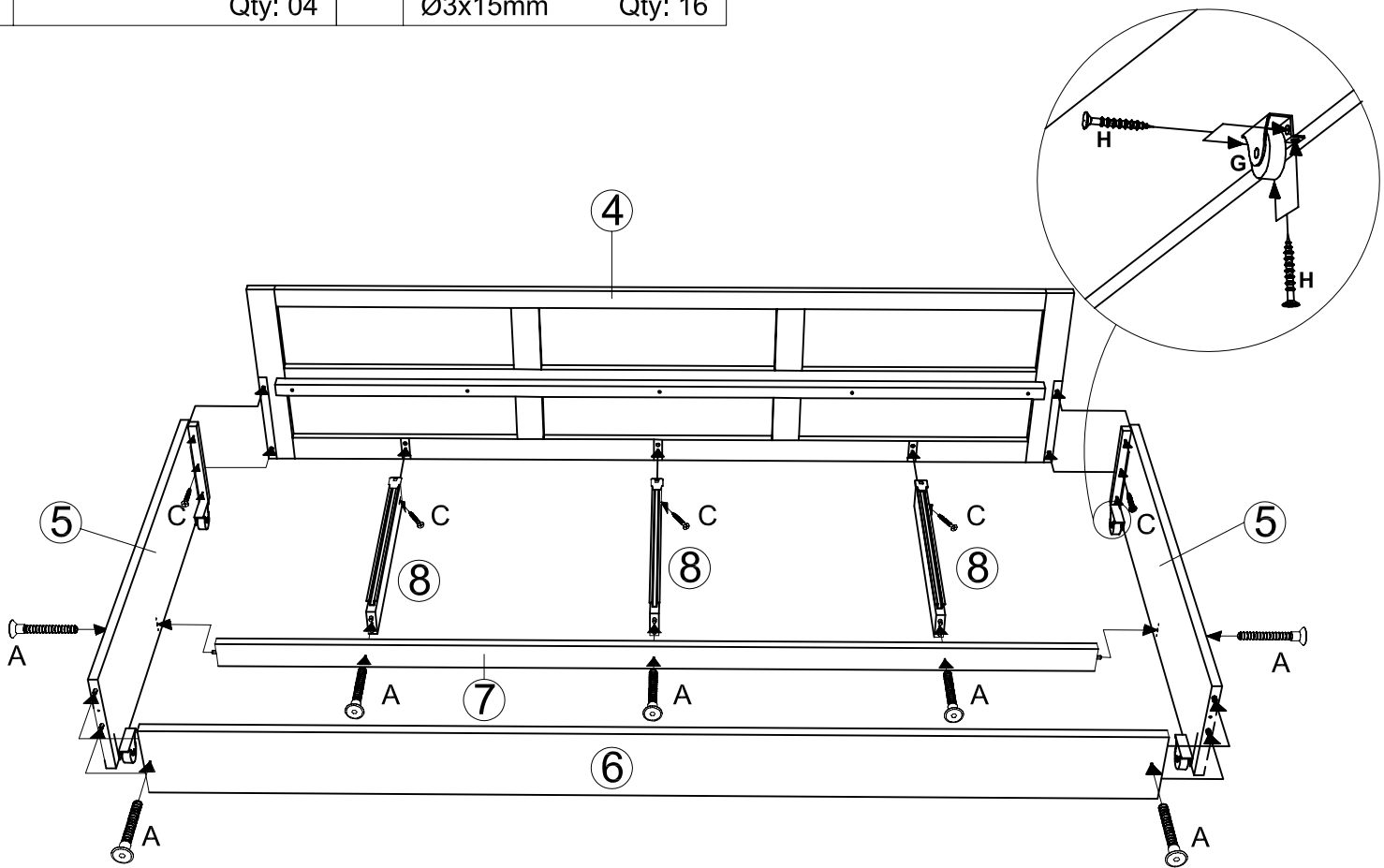
Step 01

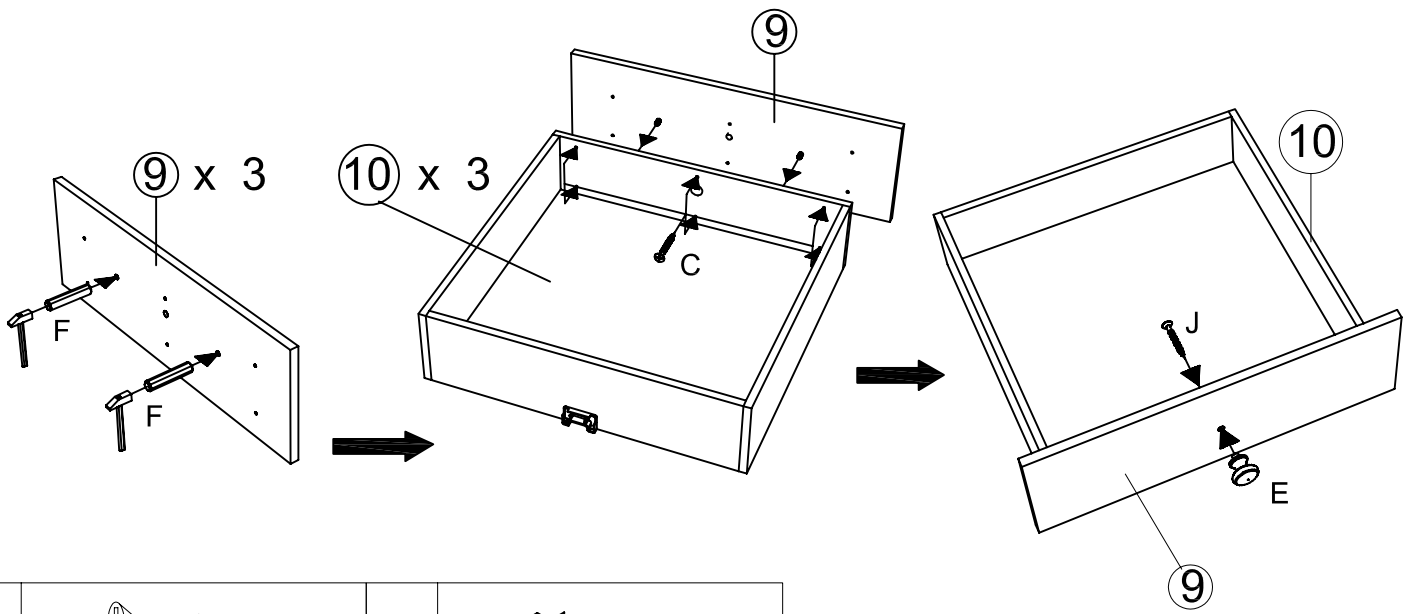
B	 Ø8 x 30mm	Qty: 18
I	 Ø10 x 40mm	Qty: 4

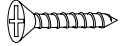

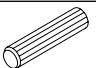
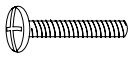


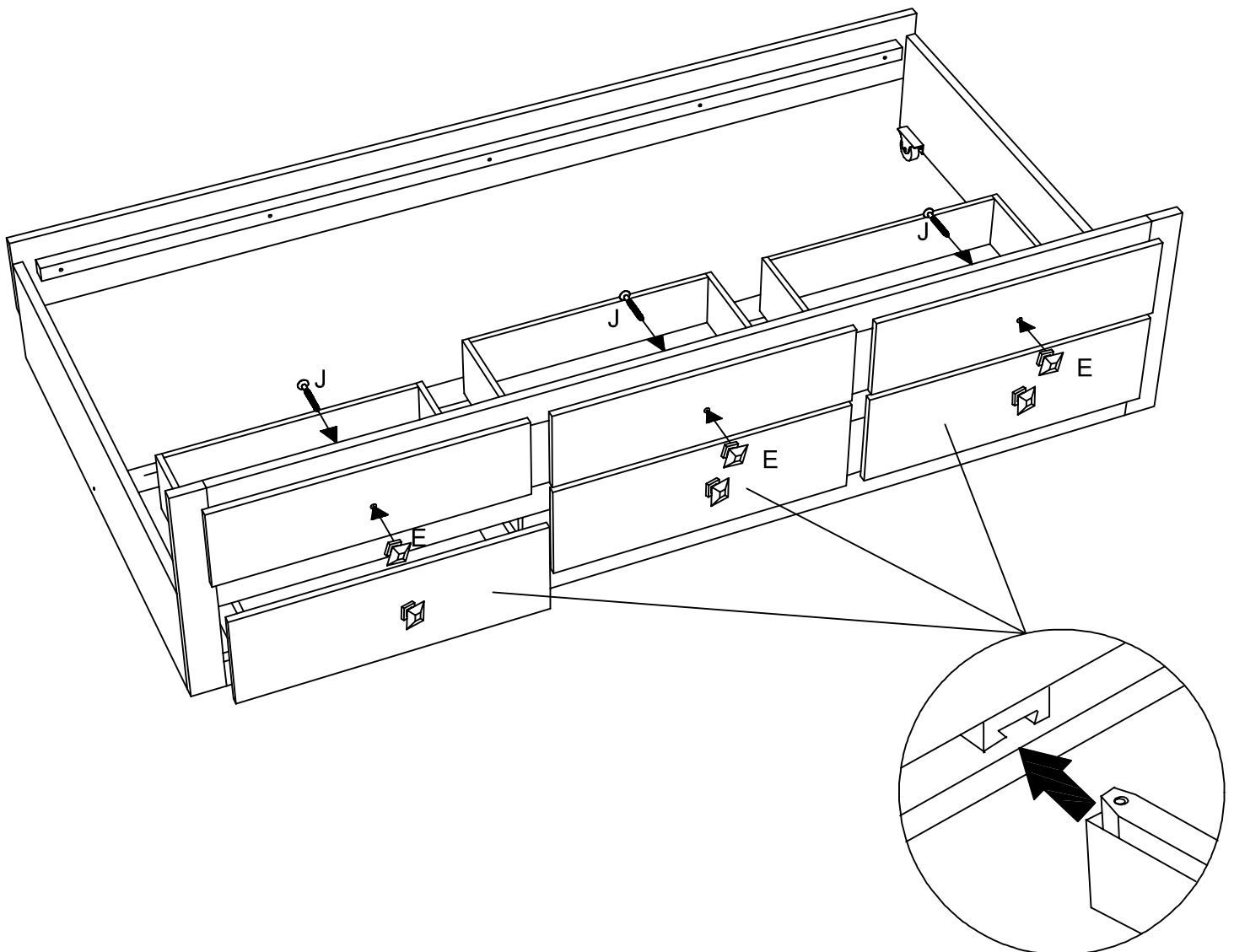
Step 02

A	 Ø6 x 40mm	Qty: 7	C	 Ø4 x 30mm	Qty: 9
G		Qty: 04	H	 Ø3x15mm	Qty: 16

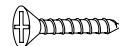




C	 Ø4x30 mm	Qty: 18	E	 Qty: 06
F	 Ø8 x 20mm	Qty: 06	J	 Ø4x25mm



C



Ø4 x 30mm

Qty: 8

