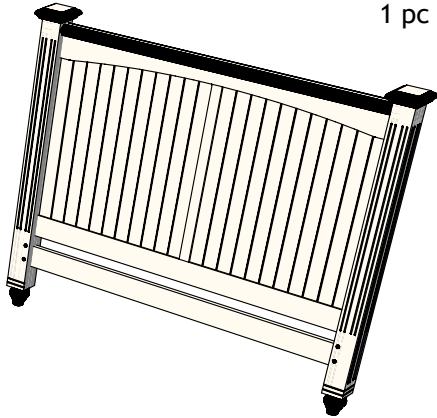
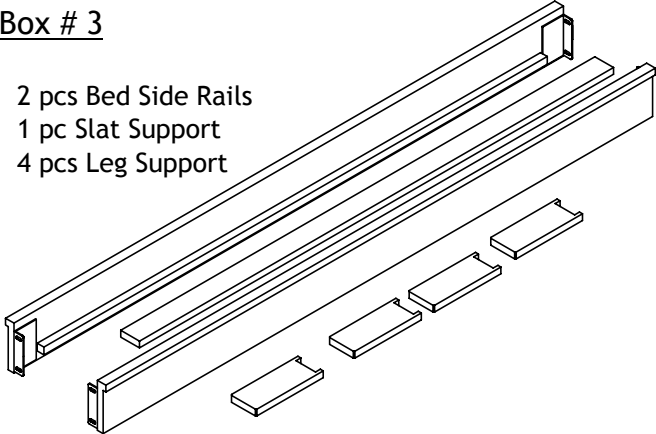






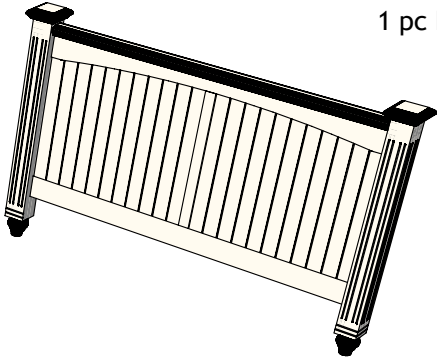
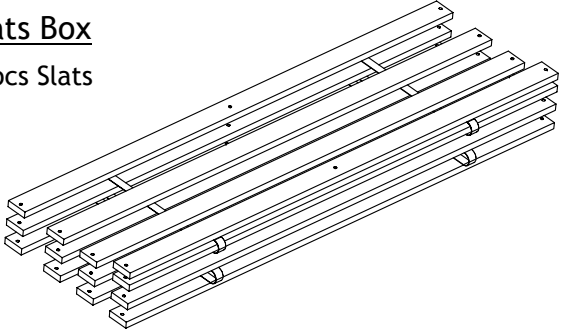
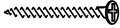
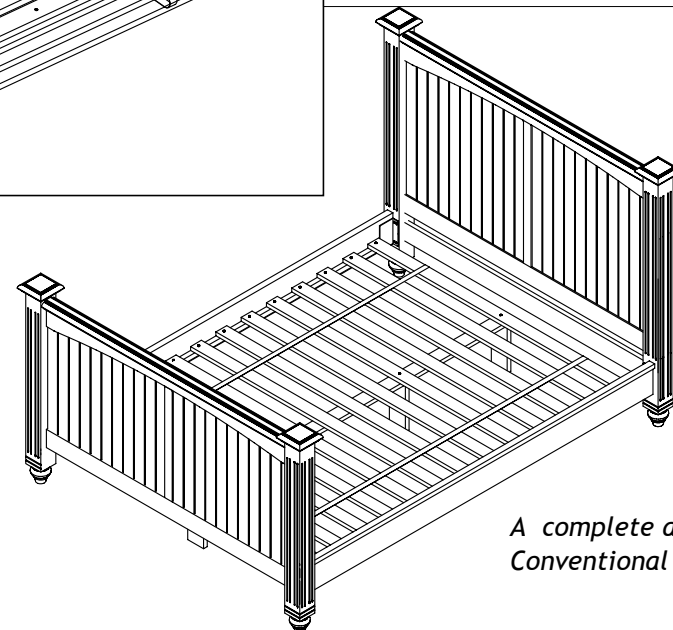


Bed Assembly Instructions

Parts And Fittings packing Detail

| | | |
|--|---|--|
| <p>Box #1</p> <p>1 pc Head Board</p>  | <p>Box #3</p> <p>2 pcs Bed Side Rails 1 pc Slat Support 4 pcs Leg Support</p>  | <p>Hardware packing in Box #1</p> <p>Bolt M8 x 20mm - 8 pcs</p>  <p>Washer - 8 pcs.</p>  <p>Barrel Nut - 4 pcs</p>  <p>Bolt M6 x 70mm - 4 pcs</p>  <p>M5 Allen Key - 1pc</p>  <p>M4 Allen Key - 1 pc</p>  |
| <p>Box #2</p> <p>1 pc Foot Board</p>  | <p>Slats Box</p> <p>13 pcs Slats</p>  | <p>Hardware Pack In Slats Box</p> <p>M4 x 32mm Screw - 26pcs (Packed in Separate Box)</p>  |



A complete assembled view of Conventional Bed

Cottage Bed



Bed Assembly Instructions

COTTAGE BED



Page 2 of 2

Step 1/Diagram 1

Fix both side rails to the Head Board and Foot Board as shown in diagram 1 with the 20mm bolts and washers.

Step 2/Diagram 2

Spread out all the slats on to the slat support. Further secure the pre-drilled slats to the slats support and support legs with 4nos M6 x 70mm bolt as shown in diagram 2.

Step 3/Diagram 3

Finally, place both ends of the assembled slats in the bed frame resting on both sides of the side rails and screw them in place with the 32mm screws provided as shown in diagram 3.

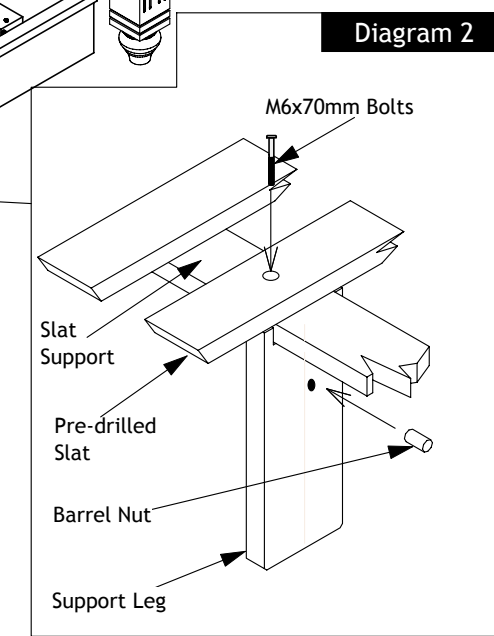
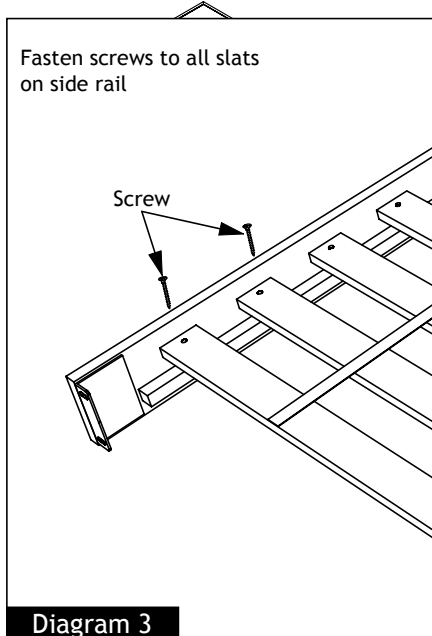
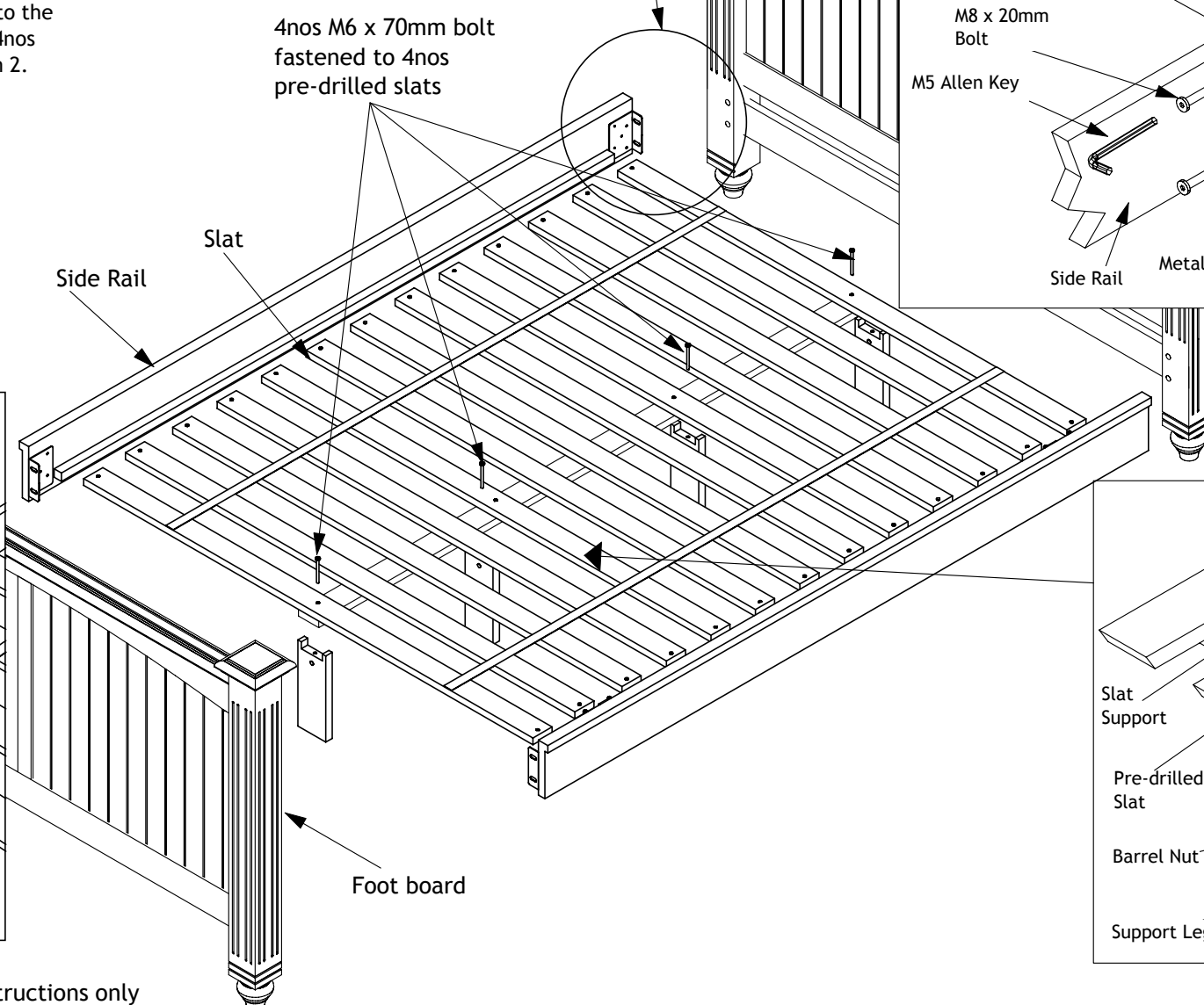
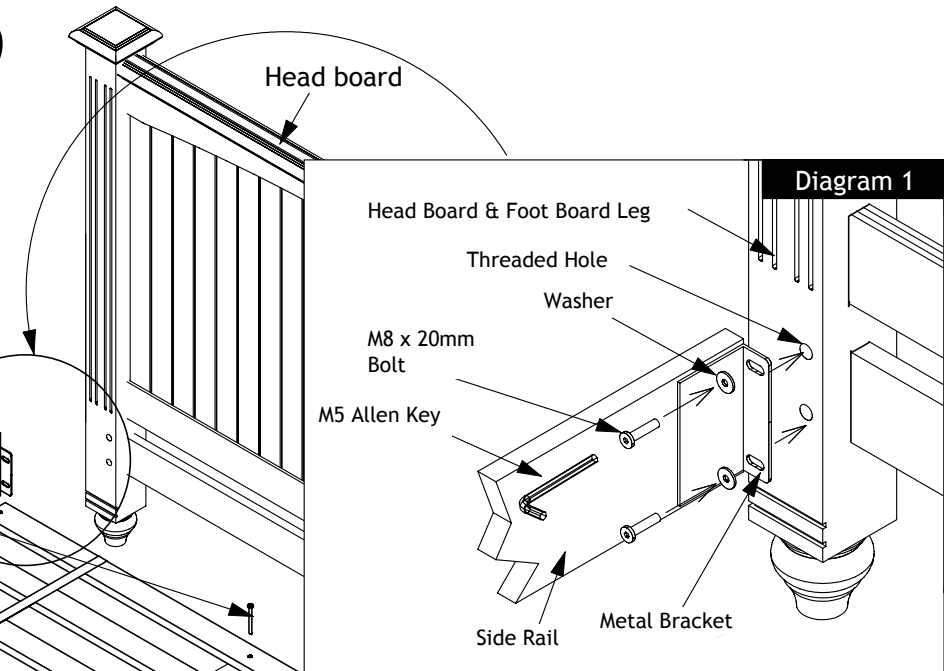
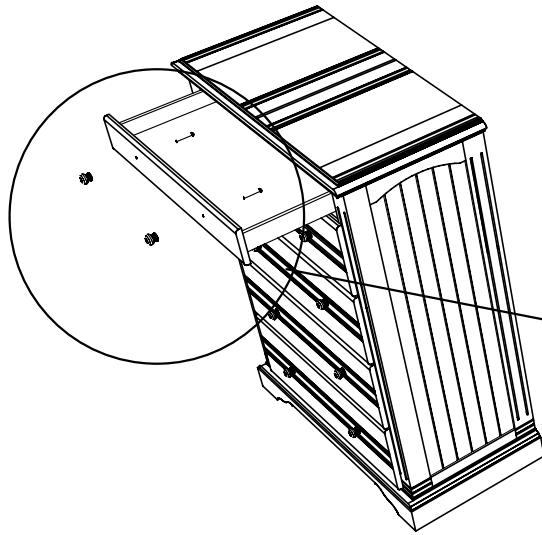


Diagram 3

Diagram 2

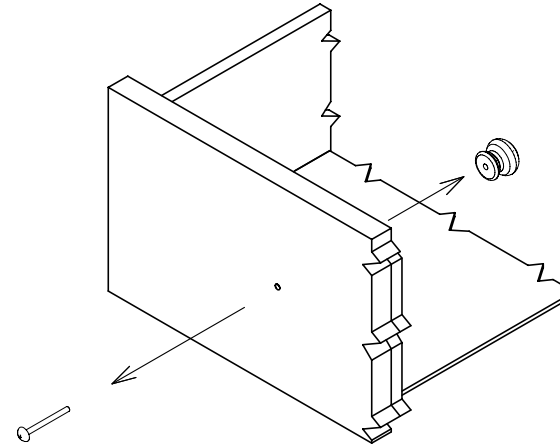
Cottage Series Fixing of Drawer Knobs

The drawer knobs are fixed inside the drawers to reduce transportation related damages. you'll need to remove and fix it onto the correct orientation.



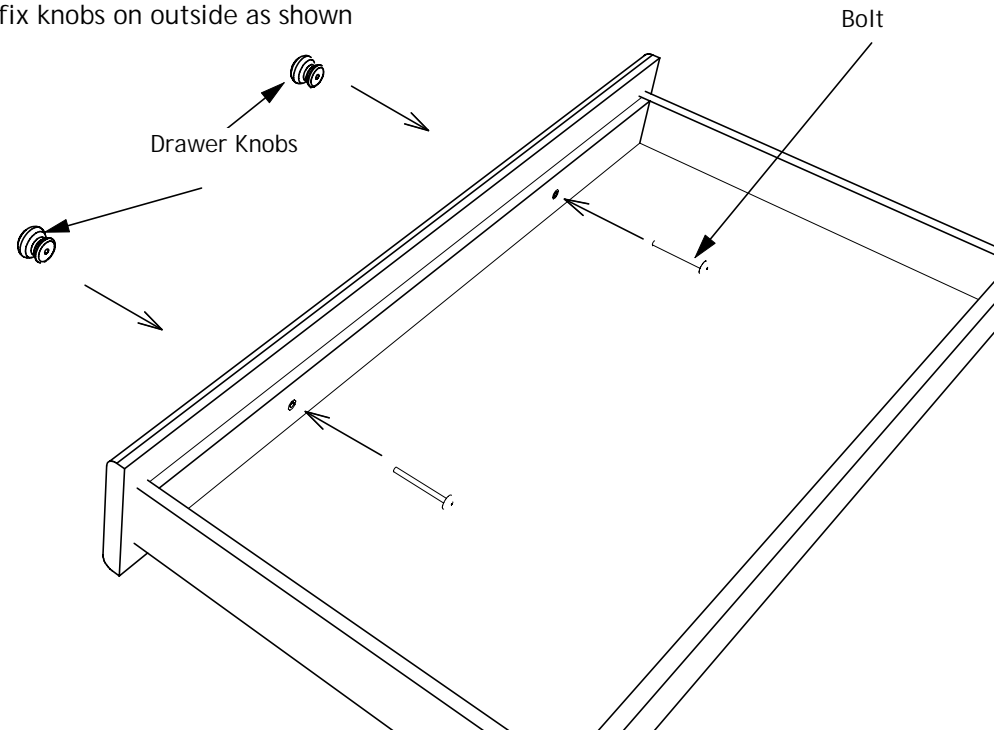
Step 1

Remove drawer knobs as shown



Step 2

Refix knobs on outside as shown



LIFESTYLE SOLUTIONS™

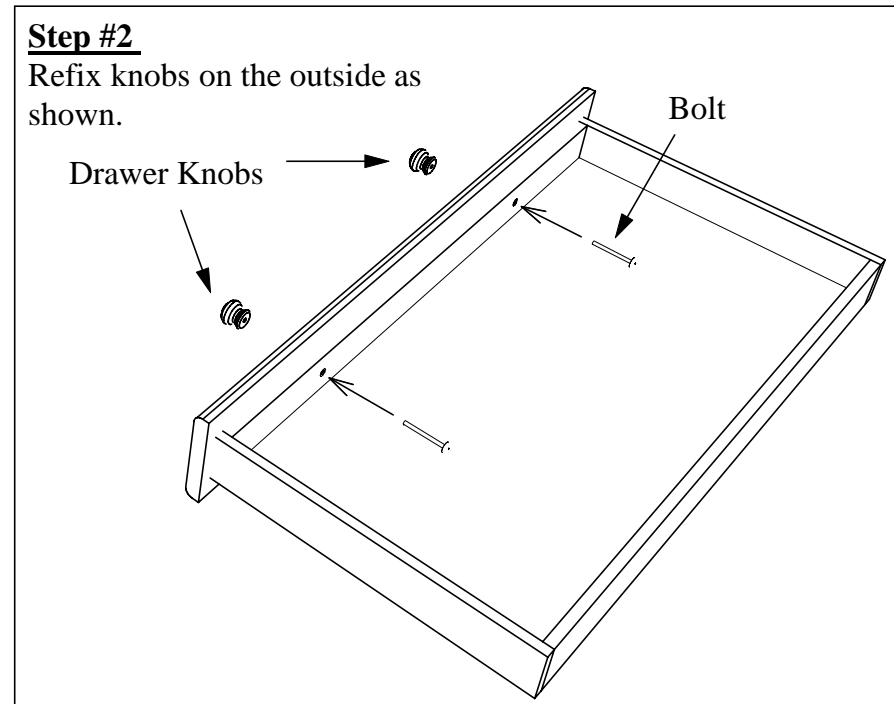
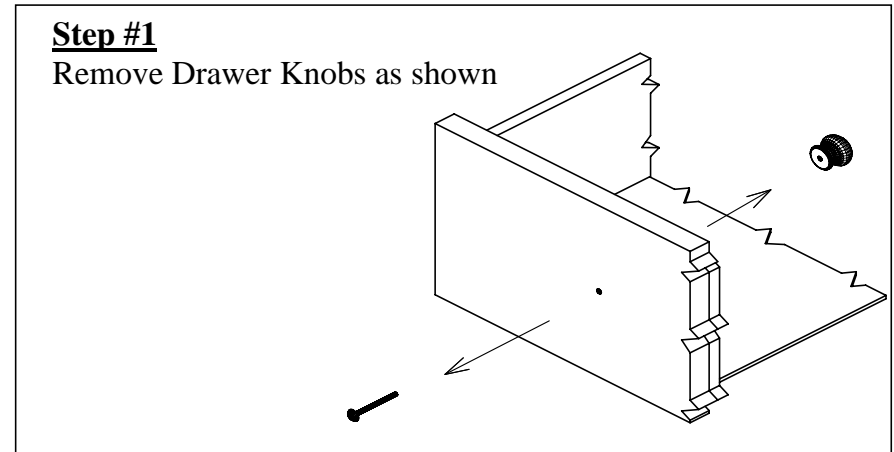
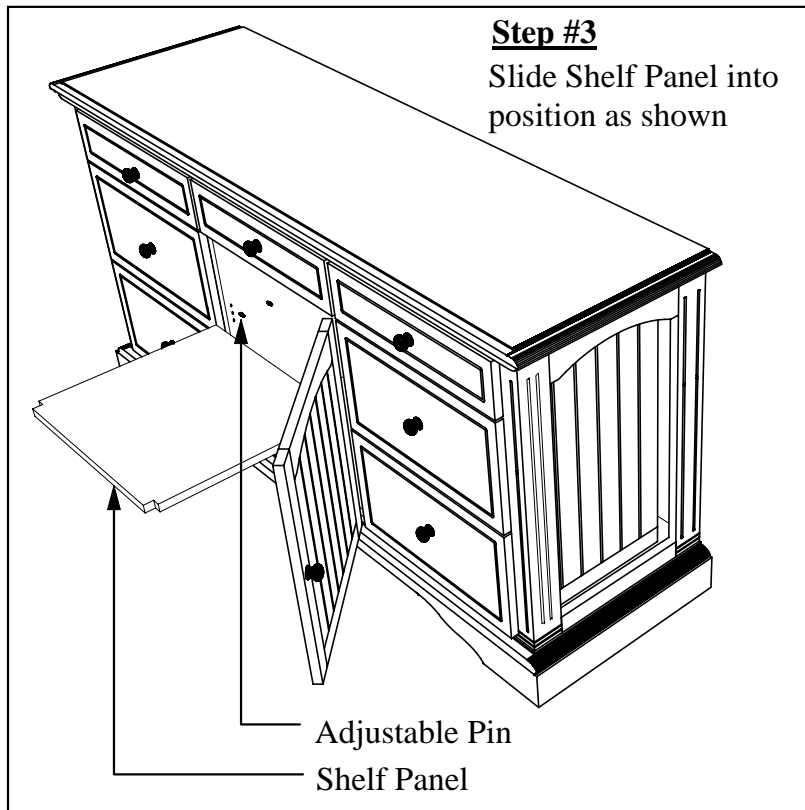
The Fusion Of Function And Comfort With Style

COTTAGE SERIES 7 Drawer Dresser

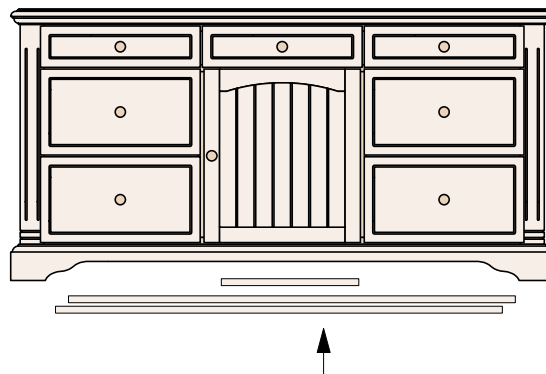
Assembly Instructions



LIFESTYLE SOLUTIONS
The Fusion of Function and Comfort with Style



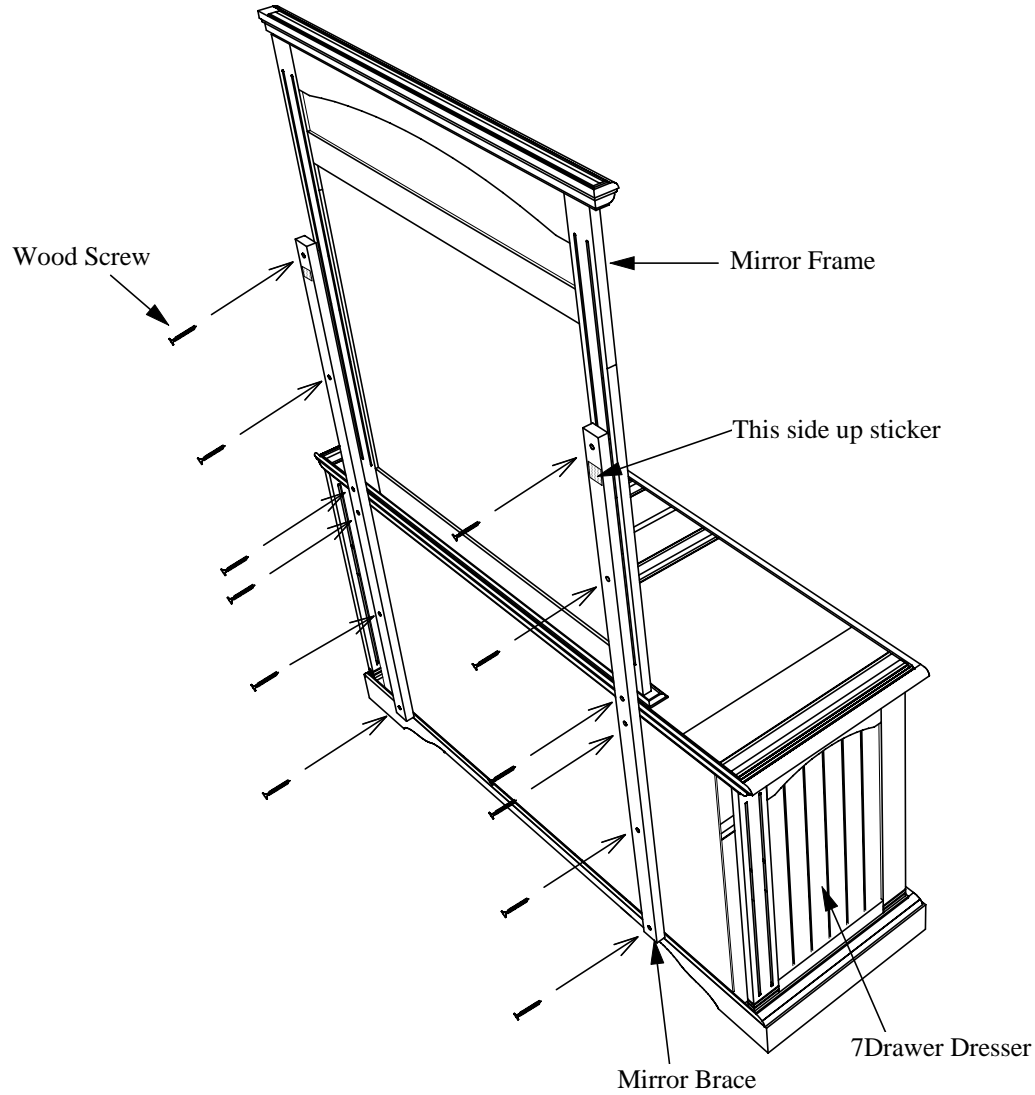
Shelf Panel is placed beneath the Dresser together with the Mirror Brace



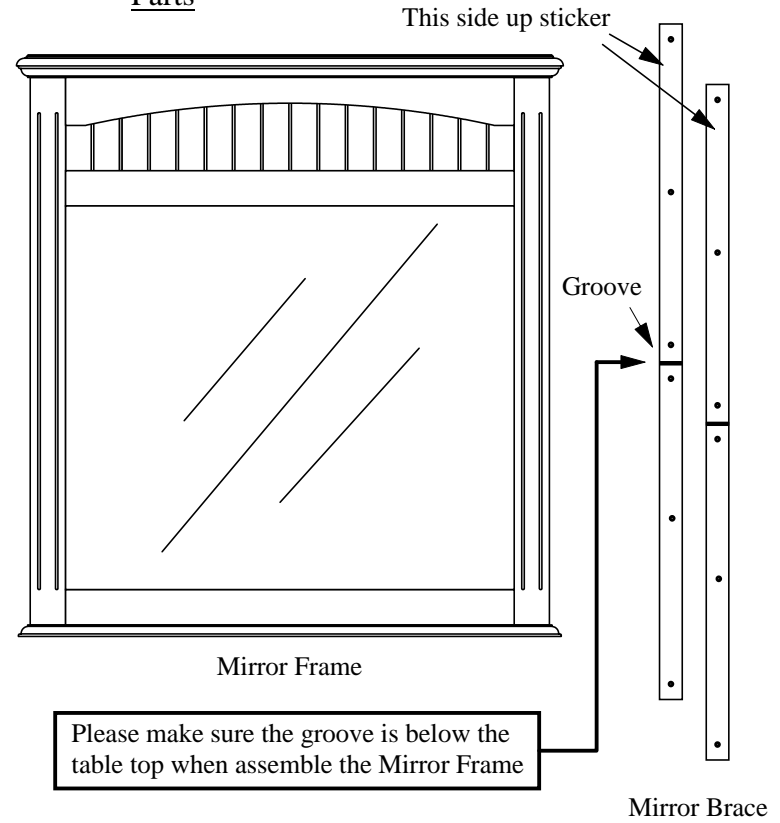
COTTAGE SERIES MIRROR FRAME

Assembly Instructions

Fixing Mirror Frame onto the Casegood



Parts



Please make sure the groove is below the table top when assemble the Mirror Frame

Mirror Brace is packed in the 7 Drawer Dresser Box

Hardwares



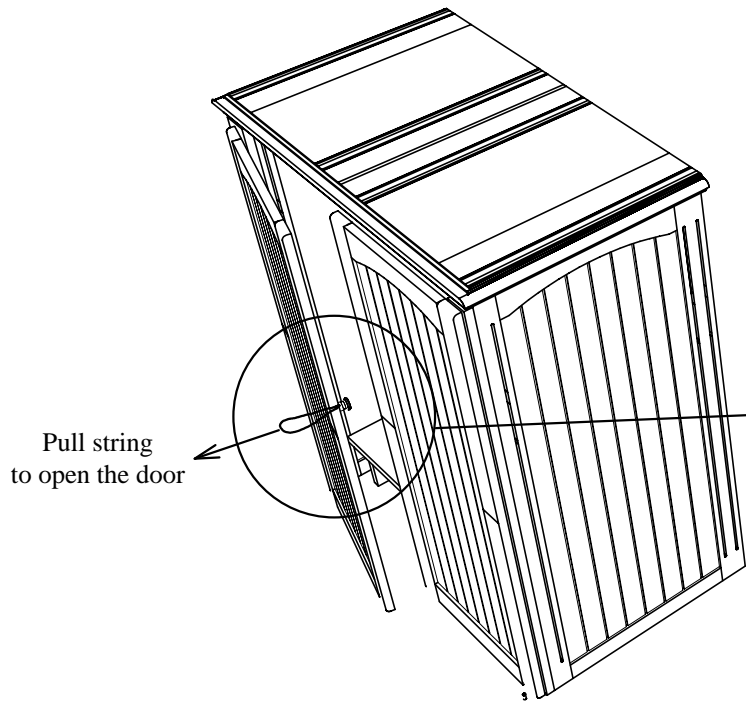
Wood Screw - 12 pcs.



COTTAGE SERIES TV ARMOIRE

Fixing of Wooden Door Knobs.

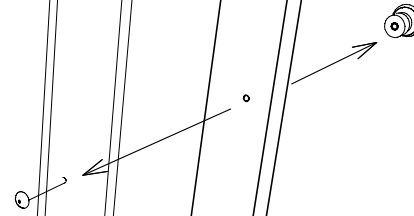
The Door knobs are fixed inside the Doors to reduce Transportation related damages.
You'll need to remove and fix it onto correct orientation.



Pull string
to open the door

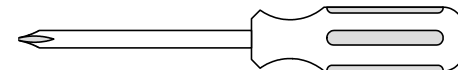
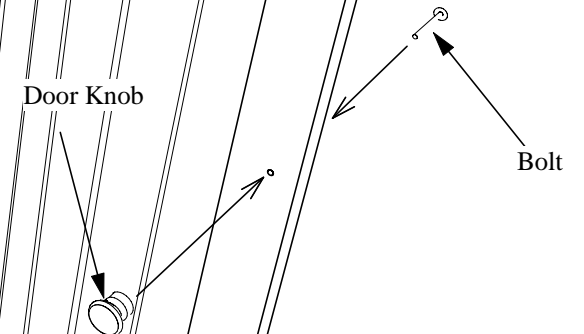
Step #1

Remove Dood Knob as Shown



Step #2

Refix Knobs on the outside As Shown



Screw Driver

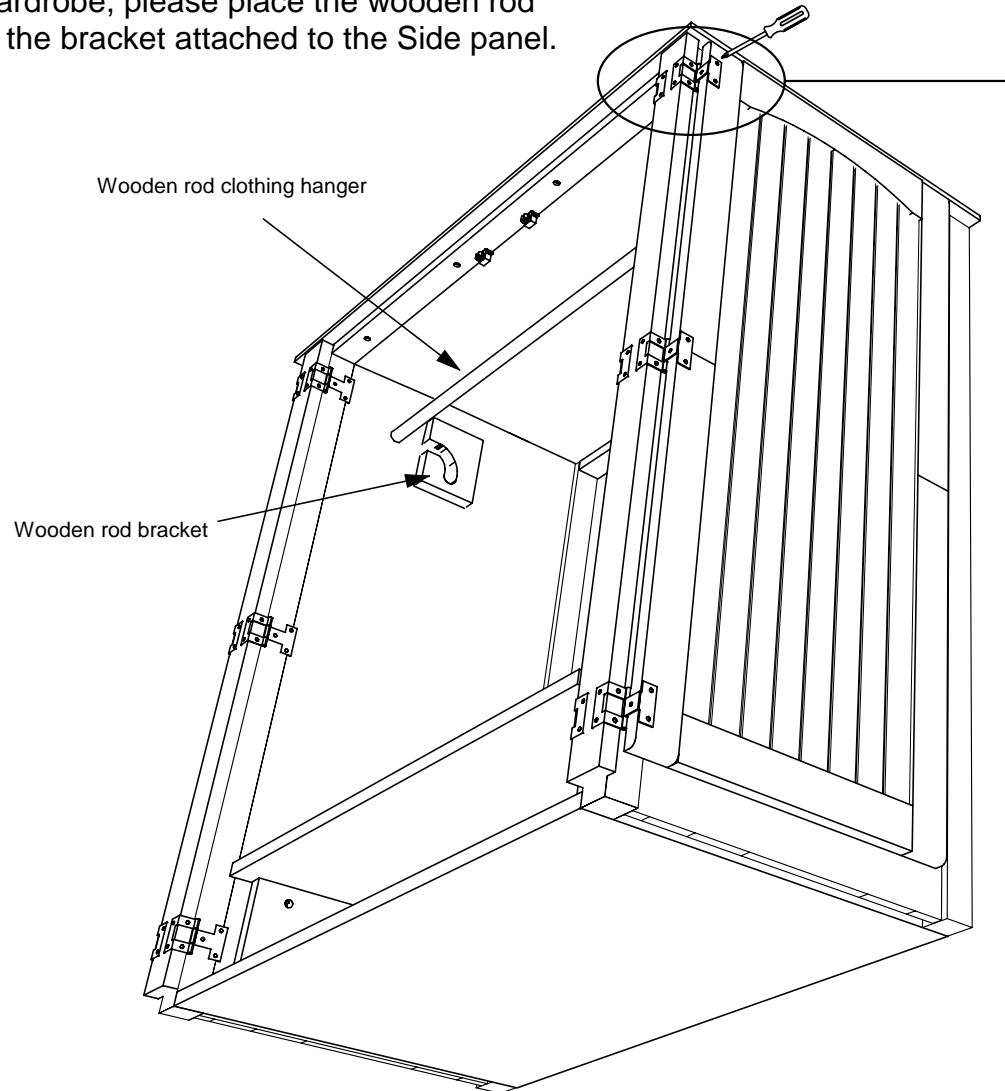


LIFESTYLE SOLUTIONS

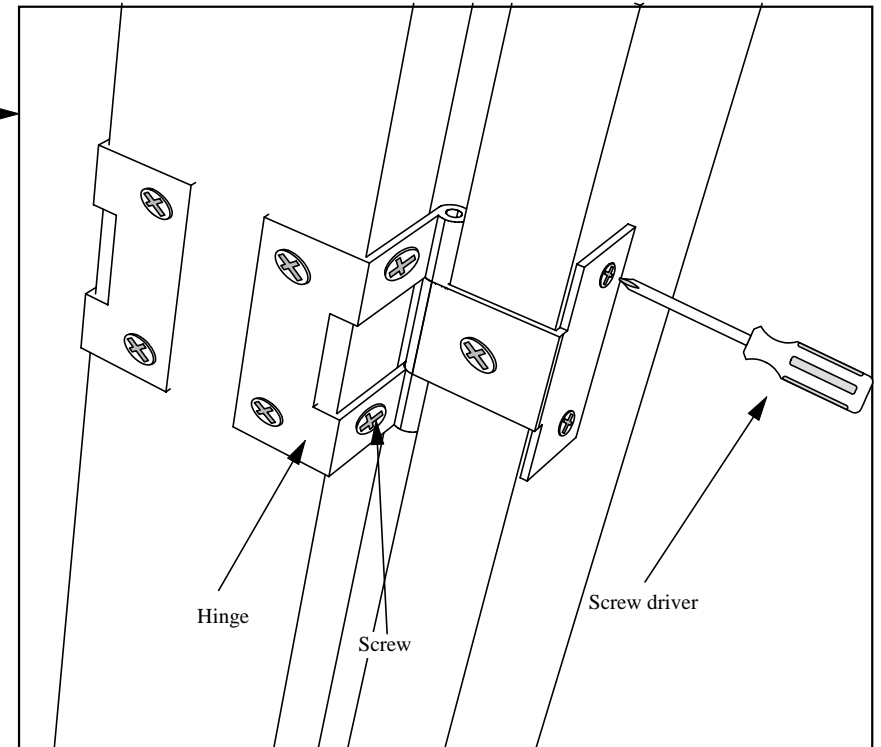
The Fusion of Function and Comfort with Style

Optional Step

If you want to convert your TV Armoire to a wardrobe, please place the wooden rod into the bracket attached to the Side panel.



Due to 'settling' and 'transportation', there is a chance that you may have to adjust the doors of the armoire. You may loosen the screws on the door hinges (as shown) and adjust the doors and retighten the screws. Please note that this adjustment may not be required.



LIFESTYLE SOLUTIONS

The Fusion Of Function And Comfort With Style