

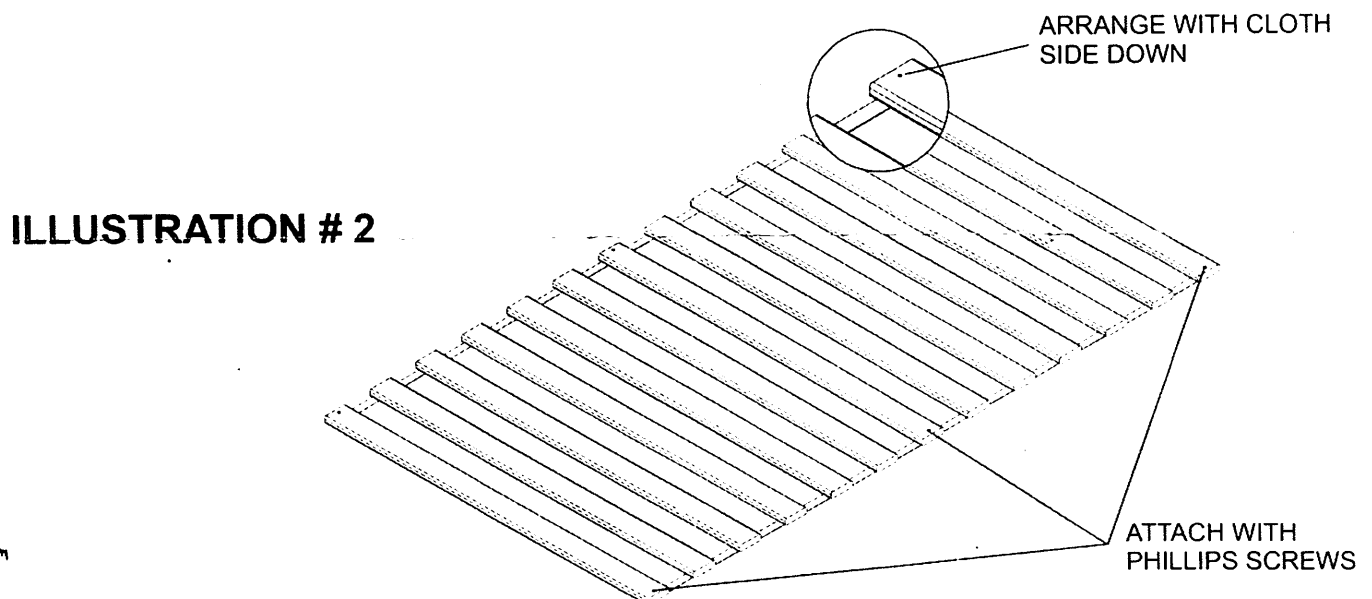
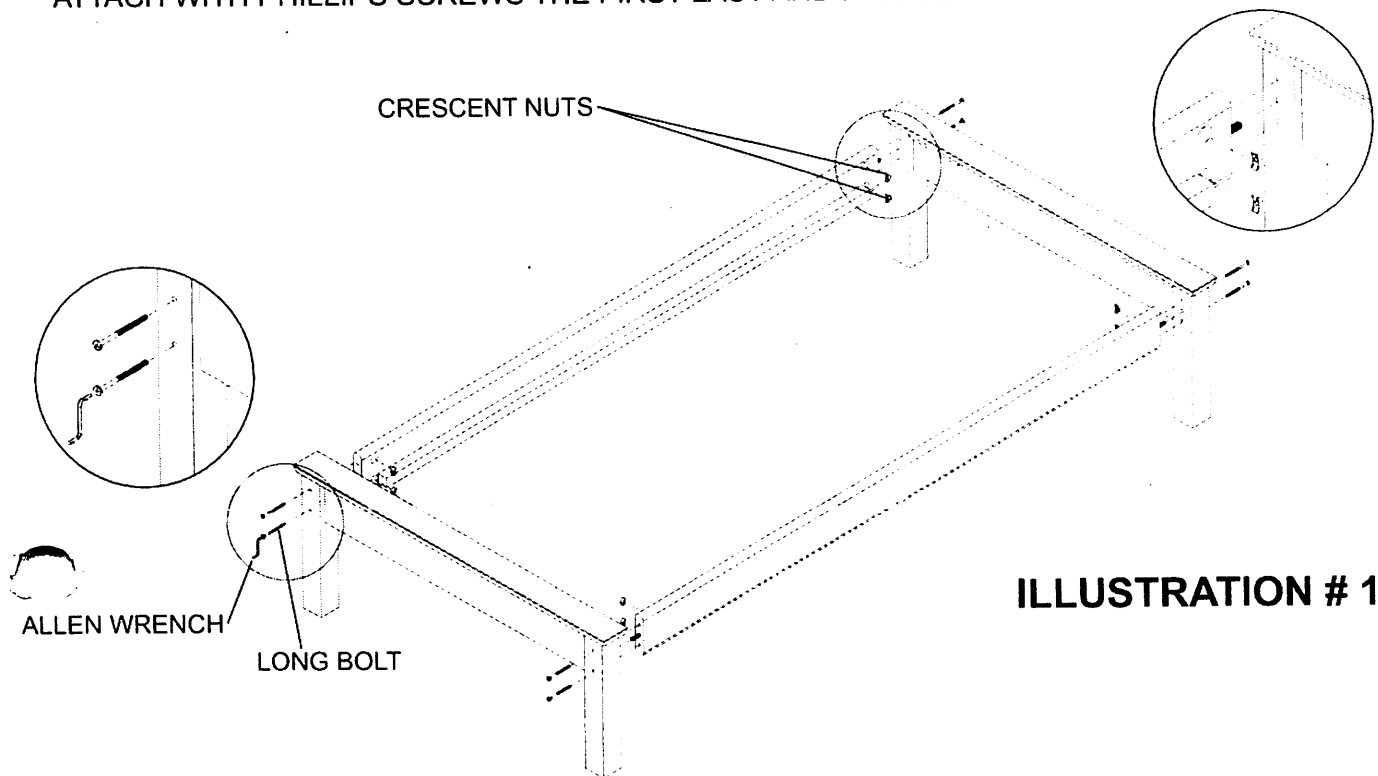
CHEYENNE PLATFORM BED - TWIN ASSEMBLY INSTRUCTIONS

STEP# 1 (SEE #1 ILLUSTRATION)



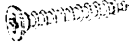


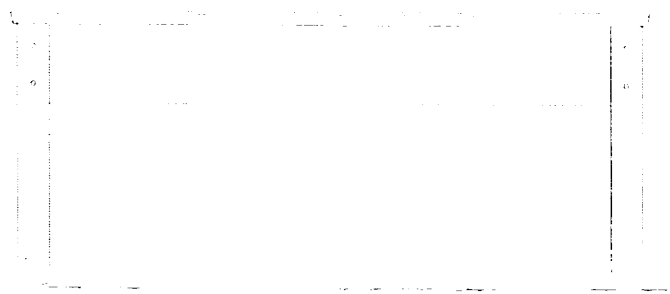

- INSERT DOWEL IN END OF SIDE RAIL AND INSERT INTO POST. BE SURE RAIL INERIOR CLEAT IS AT THE BOTTON OF THE SIDE RAIL. ATTACH SIDE RAIL TO THE FOOT BOARDS USING THE LONG BOLTS AND CRESCENT NUTS. TIGHTEN WITH ALLEN WRENCH. REPEAT FOR OTHER SIDE RAIL. ASSEMBLE THE FOOT BOARD TO BOTH ENDS OF THE SIDE RAILS USING THE LONG BOLTS AND CRESCENT NUTS, TIGHTEN WITH ALLEN WRENCH.

STEP# 2 (SEE #2 ILLUSTRATION)

- CAREFULLY LAY OUT THE SLAT KIT. LOCATE THE FIRST AND LAST TO THE BEGINNING OF THE CLEAT. ATTACH WITH PHILLIPS SCREWS THE FIRST LAST AND MIDDLE SLATS.



HARDWARE LIST CHAYENNE PLATFORM BED TWIN

 <p style="text-align: right;">1/4" x 100</p>	<p>LONG BOLT TO ATTACH FOOT BOARD AND HEADBOARD TO THE SIDE RAILS</p>	<p>8PCS</p>
	<p>CRESCENT NUT FOR THE LONG BOLTS</p>	<p>8PCS</p>
 <p style="text-align: right;">3,5 x 30</p>	<p>PHILLIPS SCREW TO ATTACH SLATS SIDE RAILS CLEATS</p>	<p>6PCS</p>
	<p>ALLEN WRENCH</p>	<p>1PCS</p>
 <p style="text-align: right;">10 x 40</p>	<p>DOWELS THAT GO IN THE ENDS OF SIDE RAILS.</p>	<p>4PCS</p>
<p>PART LIST</p>		
	<p>FOOT BOARDS</p>	<p>2PCS</p>
	<p>SIDE RAILS WITH ATTACHED CLEATS</p>	<p>2PCS</p>
<p>SEE ILLUSTRATION #2</p>	<p>SLAT KIT</p>	<p>1PCS</p>