



Walker
Edison

furniture company

Item #: TW60S
Assembly Instructions

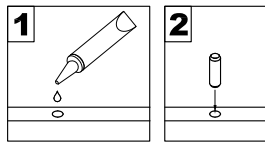


For our most current instructions, to request missing, lost or broken parts, or for any other Customer Service issues, please visit our website at www.walkeredison.com or call us at 877-207-5906.

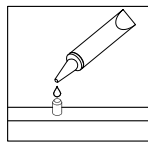
Revised 082010

General Assembly Guidelines

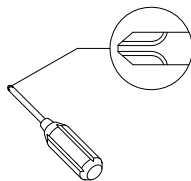
- I. Ensure that all parts and hardware are available before beginning assembly.
- II. Follow each step carefully to ensure the proper assembly of this product.
- III. Two people are recommended for ease in the assembly of this product.
- IV. The three main types of hardware used to assemble this product are: wood dowels, screws and bolts.
- V. The provided glue is to secure wood dowels in place. When first inserting dowels, locate the appropriate hole for the dowel, place a small amount of glue in the hole and insert the dowel. Wipe away excess glue immediately.



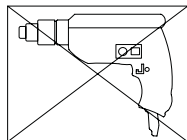
In future assembly steps when dowels are necessary to attach assembly parts together, place a small amount of glue on the end of the dowel before attaching parts together. Wipe away excess glue immediately.



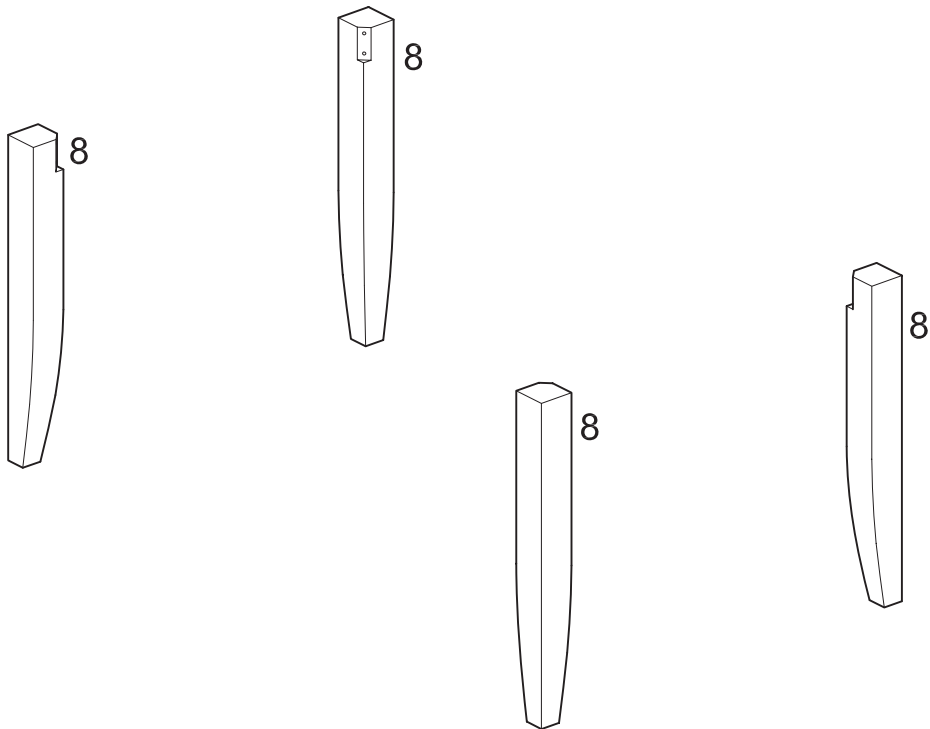
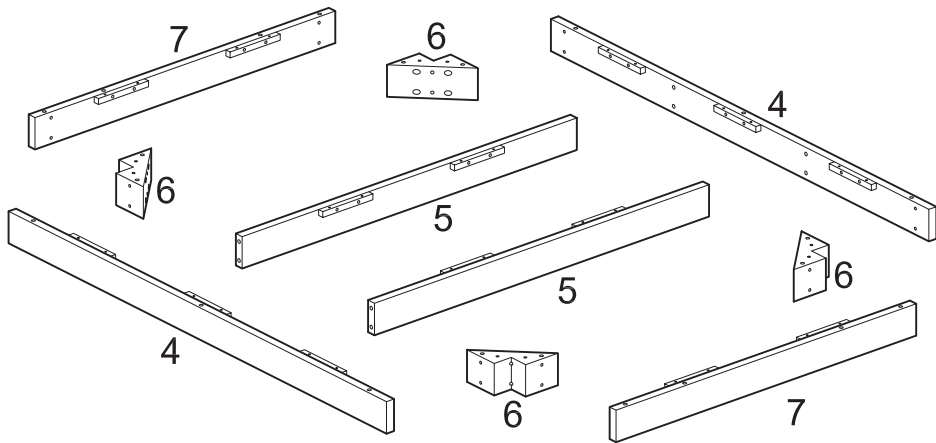
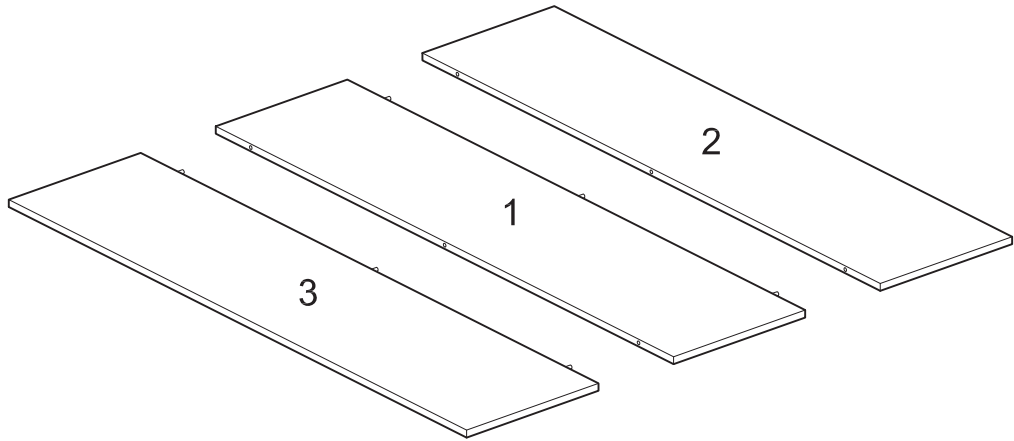
- VI. A Phillips head screwdriver is required for the assembly of this product.



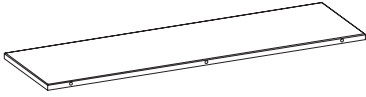
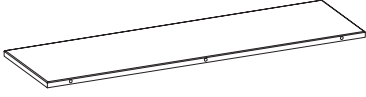
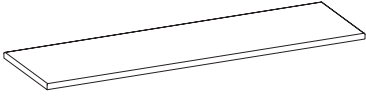
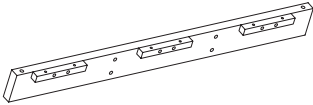
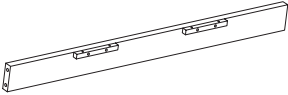
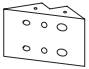
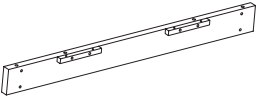
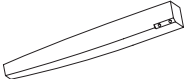
- VII. Power tools should not be used to assemble this product.








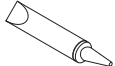
Parts List



Component List

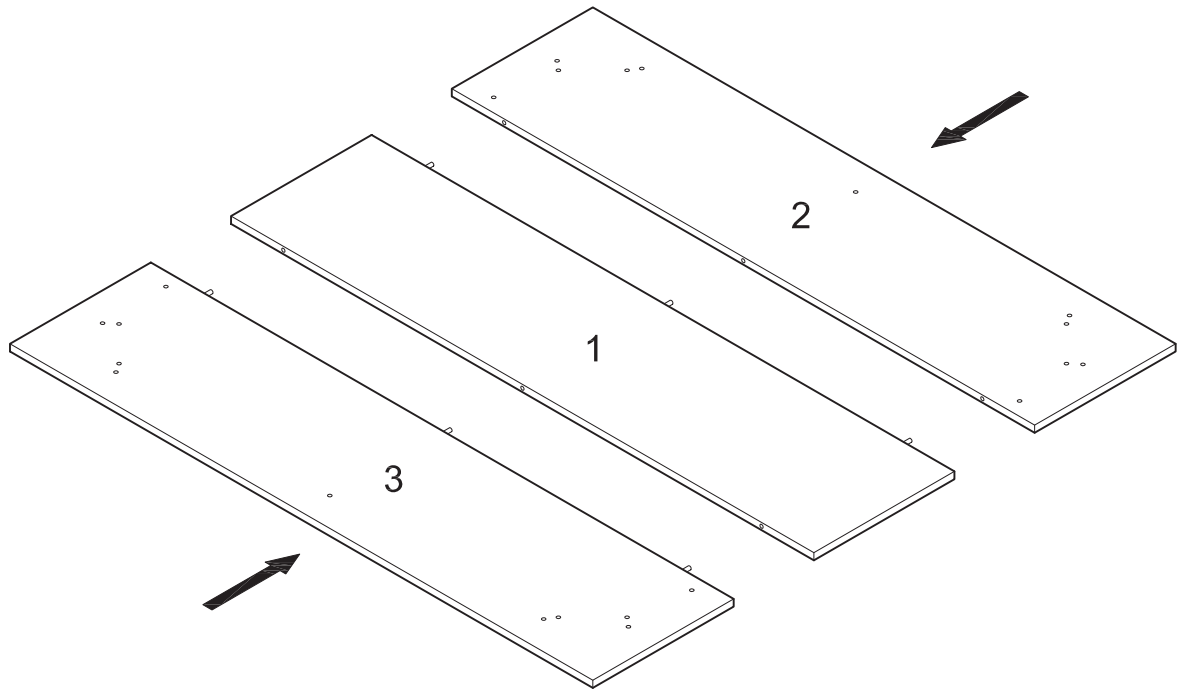
1		Middle panel	1 pc
2		Side panel	1 pc
3		Side panel	1 pc
4		Long apron	2 pcs
5		Inner apron	2 pcs
6		Corner block	4 pcs
7		Short apron	2 pcs
8		Table leg	4 pcs

Hardware List

A		M5	Wrench	1 pc
B		M10x30(mm)	Wood dowel	30 pcs
C		M4x32(mm)	Screw	52 pcs
D		M8x70(mm)	Large bolt	8 pcs
E		Ø5/16"	Spring washer	8 pcs
F		Ø5/16"	Washer	8 pcs
G			Glue tube	2 pcs

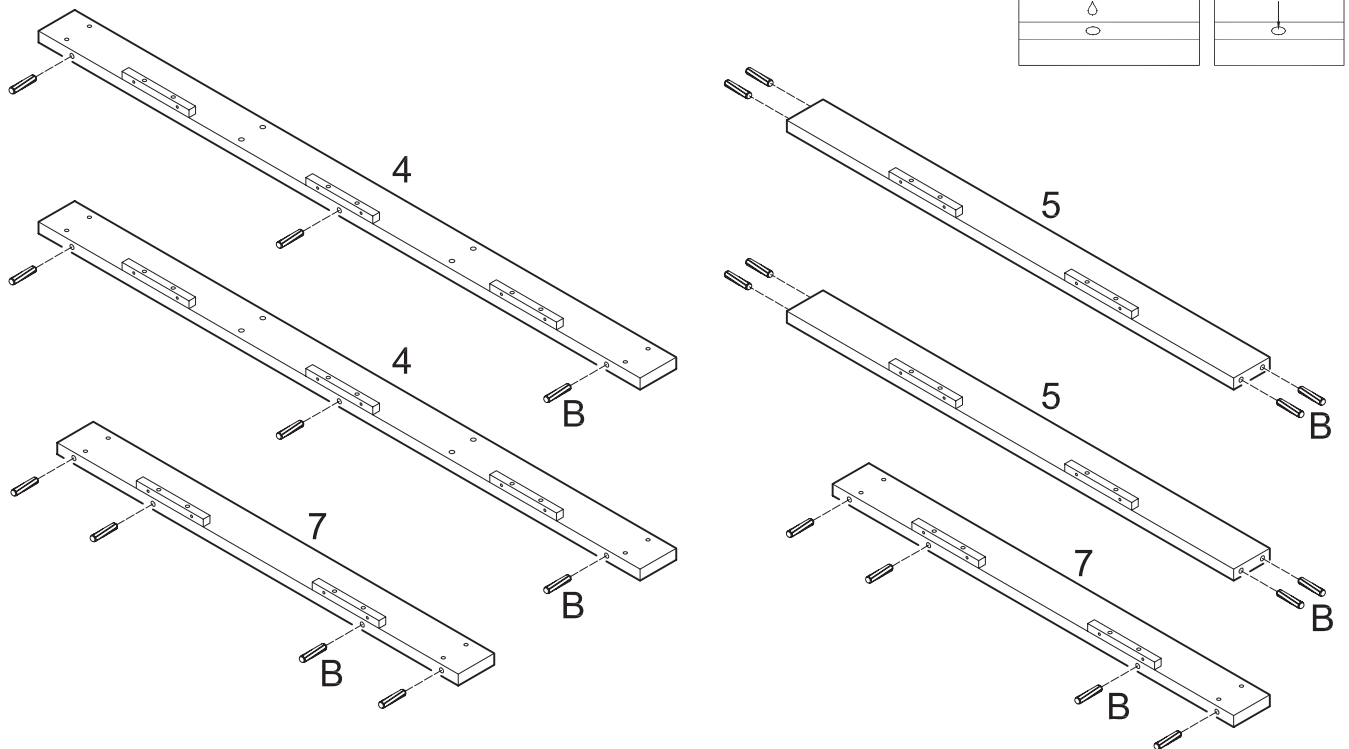
The hardware quantities listed above are required for proper assembly. Some extra hardware may also have been included.

Step 1



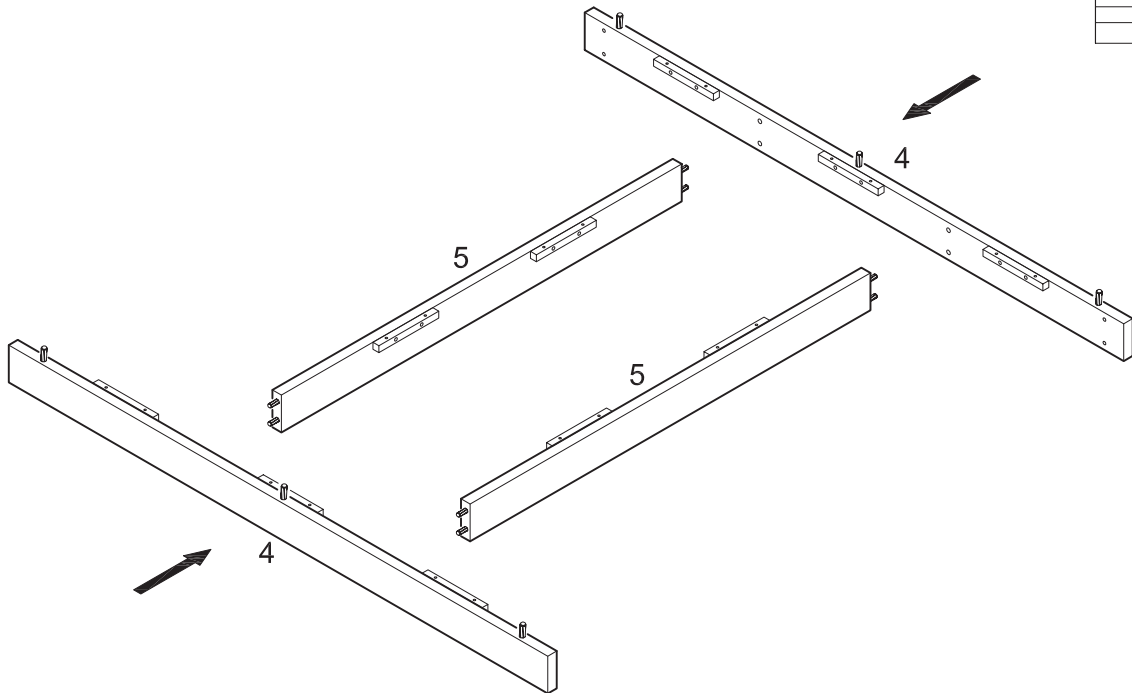
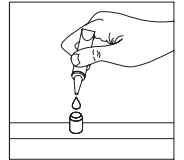
Attach panels (1,2,3) together. *Ensure that panels (1,2,3) connect firmly.*

Step 2



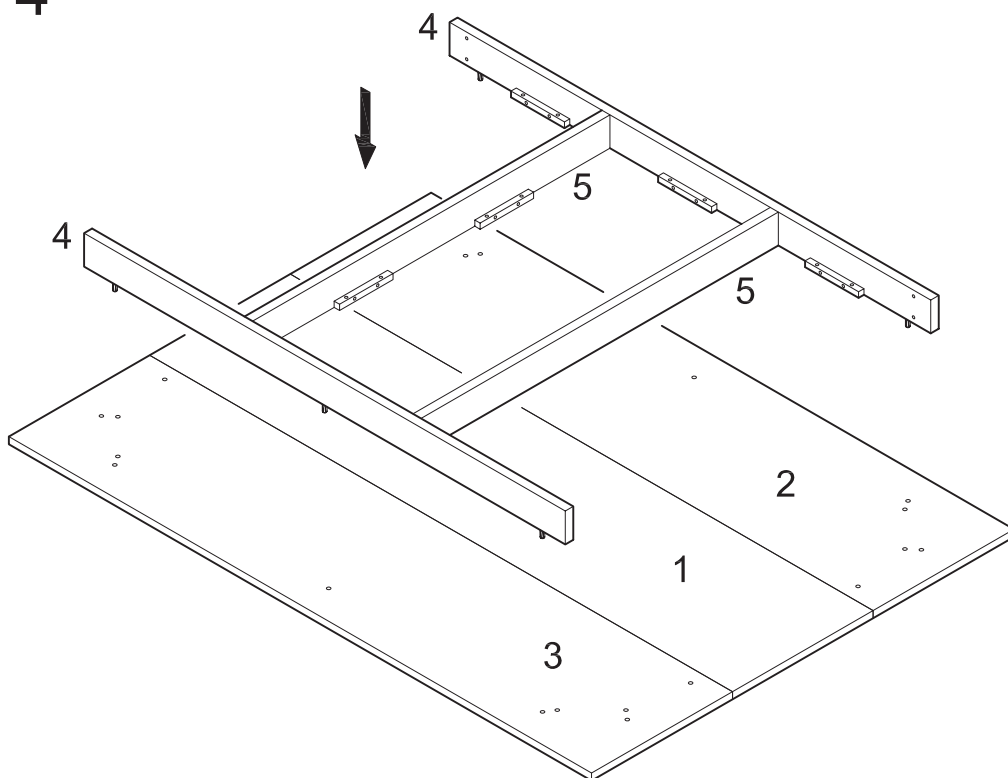
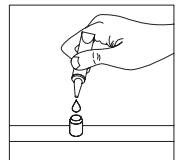
Insert dowels (B) into aprons (4,5,7).

Step 3



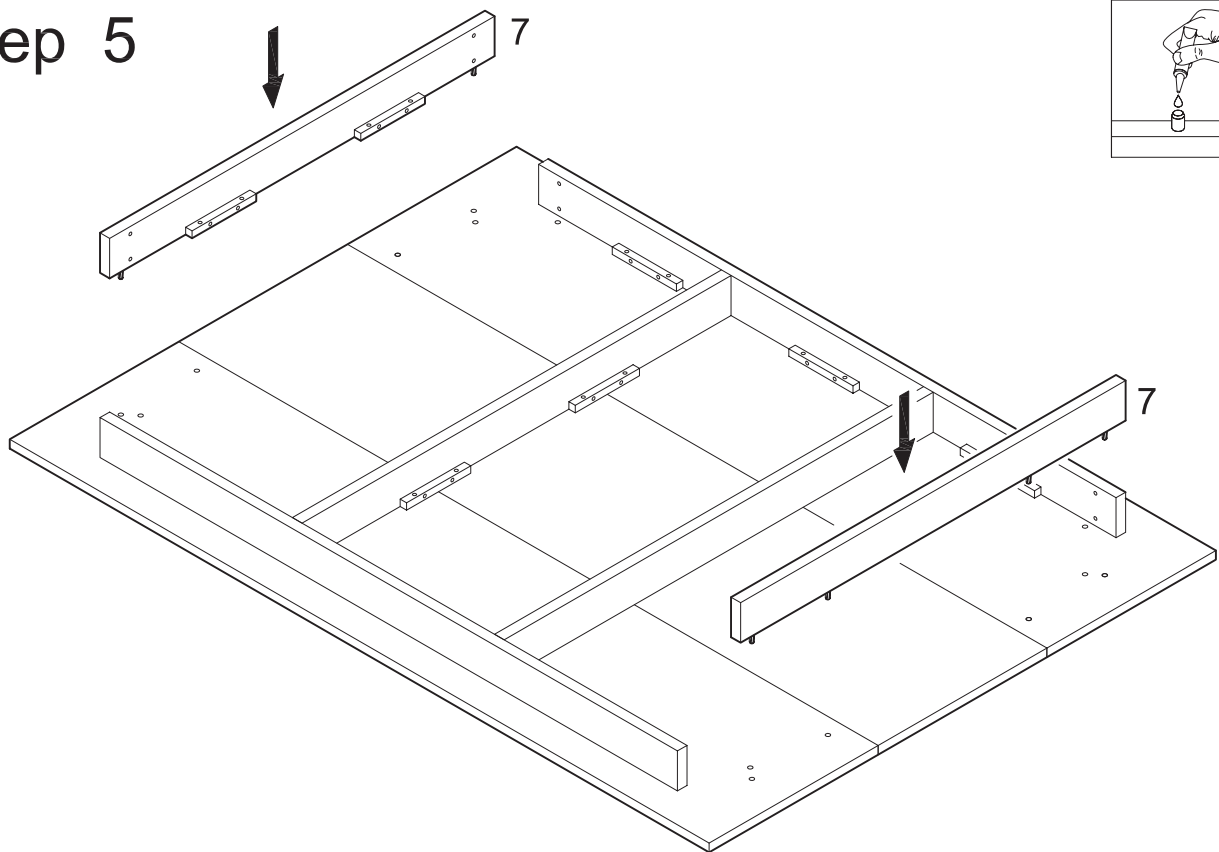
Attach inner aprons (5) to long aprons (4) using dowels as guides.

Step 4



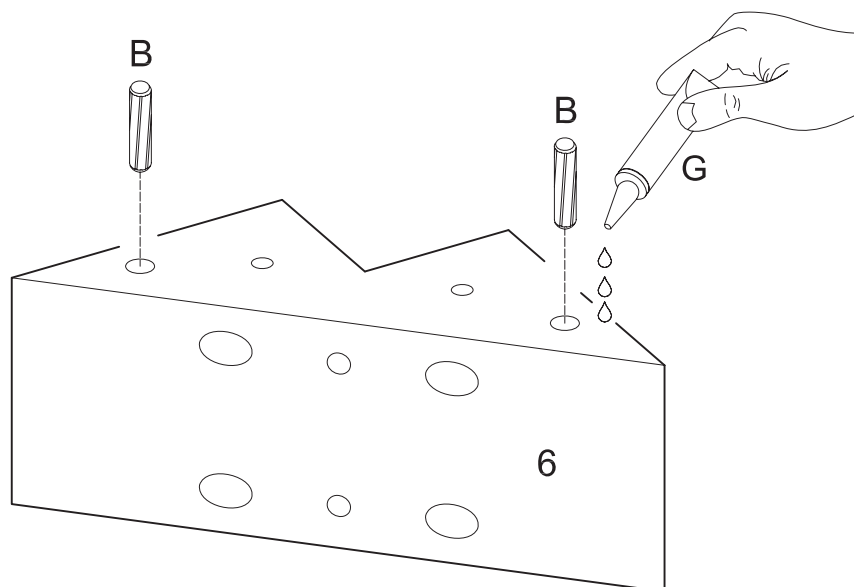
Attach the apron assembly from the previous step to the table top using dowels as guides.

Step 5



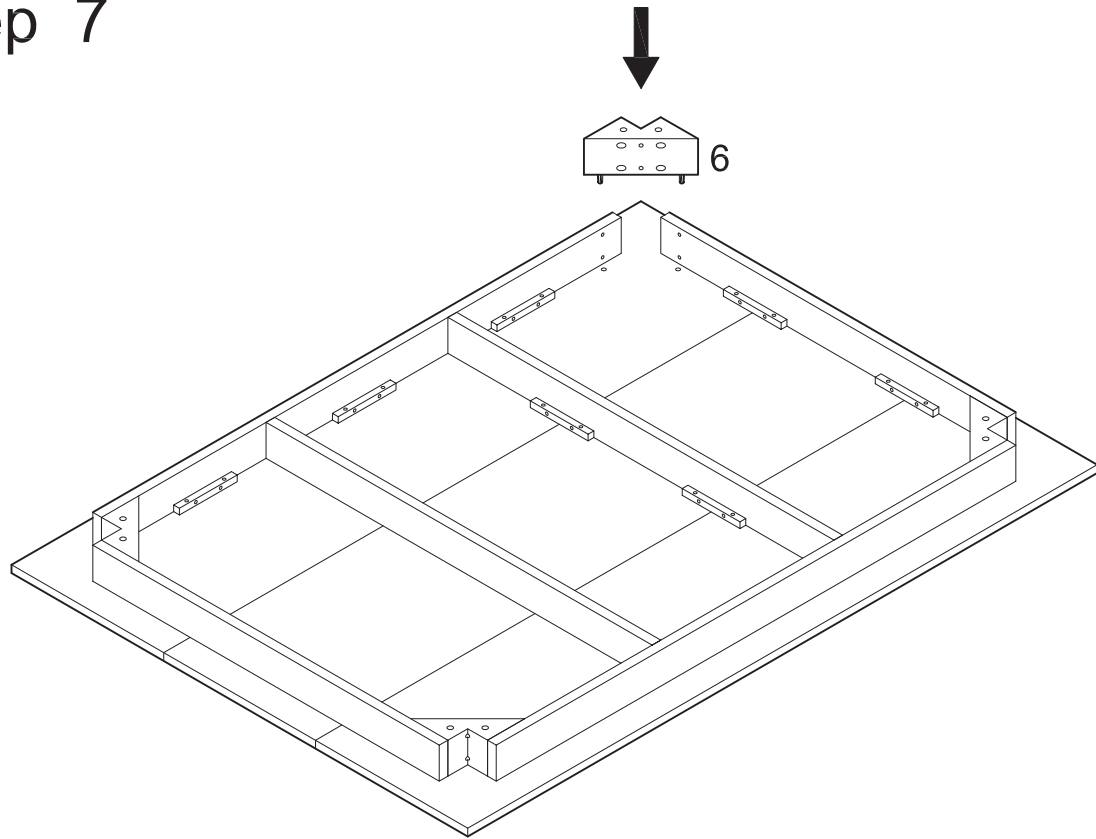
Attach short aprons (7) to the table top using dowels as guides.

Step 6



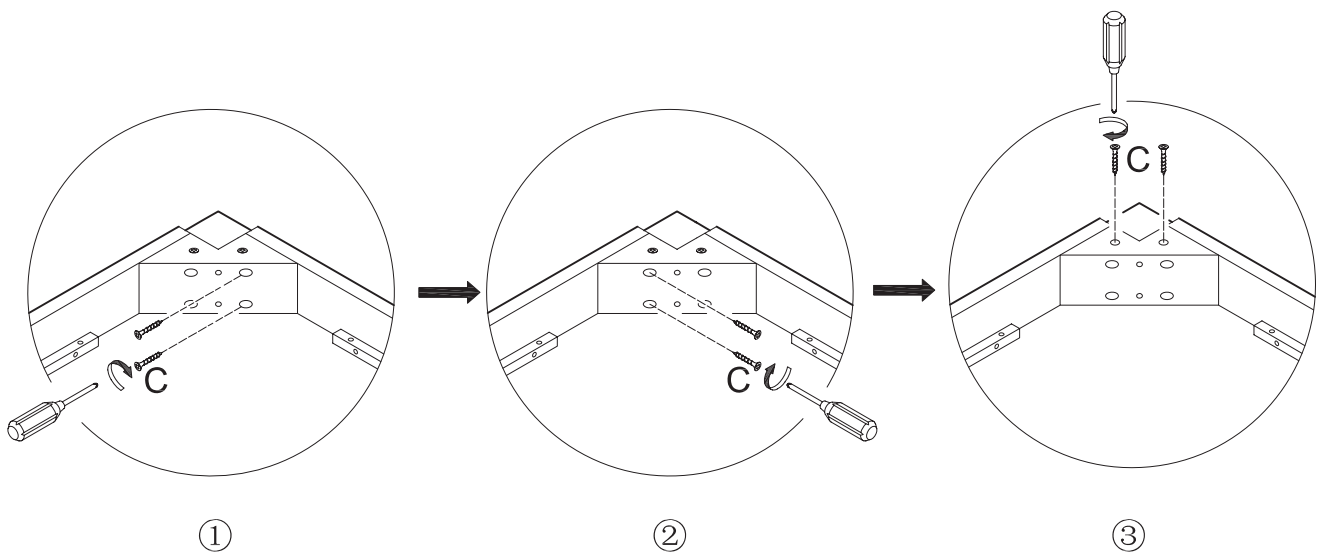
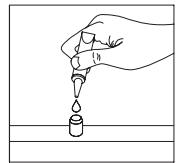
Insert dowels (B) into corner block (6). Apply glue (G) to the surface of corner block (6). Repeat this step for all corner blocks (6).

Step 7



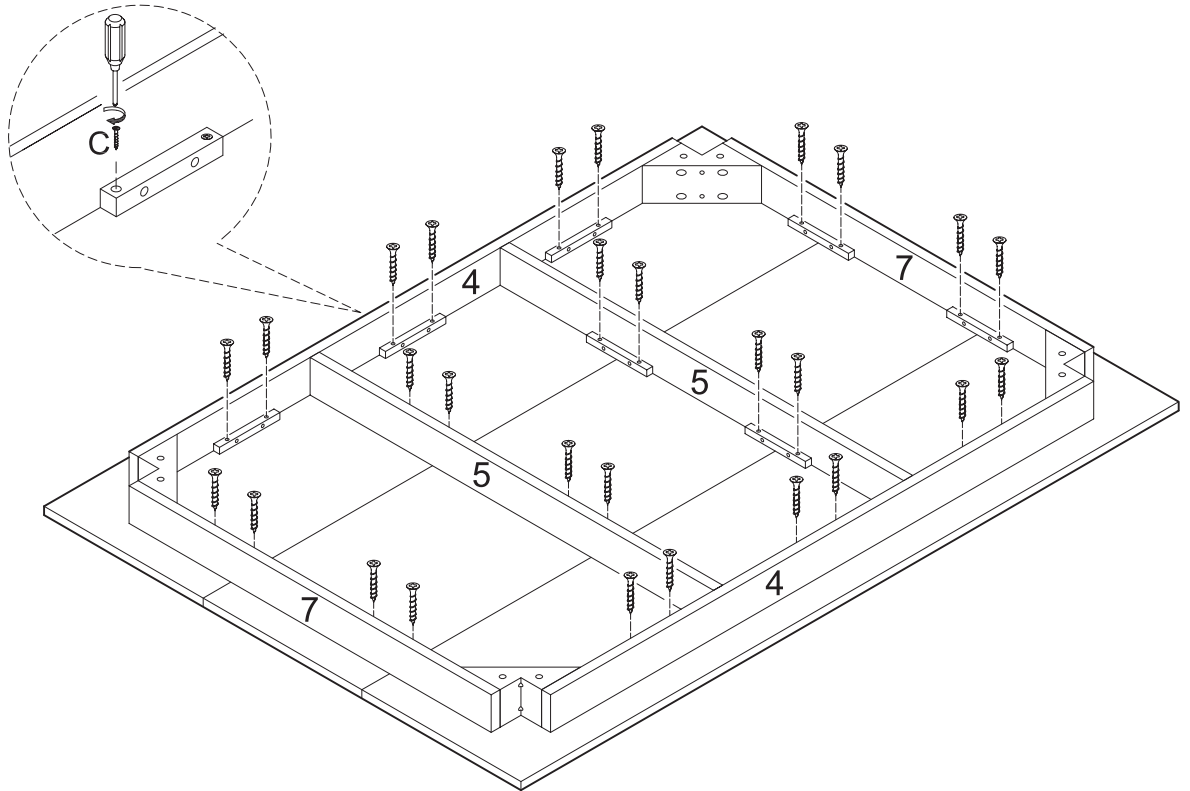
Attach corner blocks (6) to the table top using dowels as guides. *Note that the glued surface of each corner block (6) will rest against the table top.*

Step 8



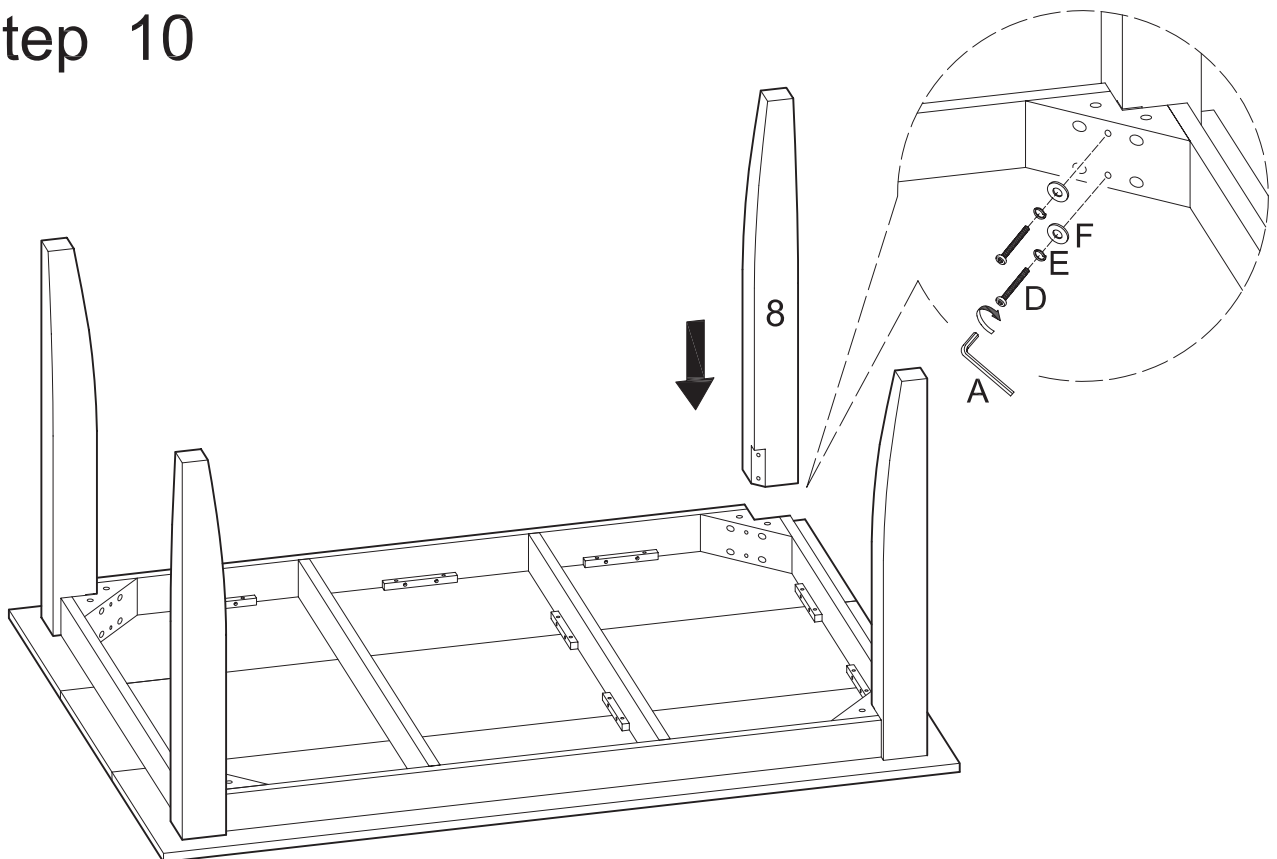
Secure corner blocks (6) to the table top assembly using screws (C). Apply pressure from the outside of the apron pieces while tightening screws (C) with a screwdriver.

Step 9



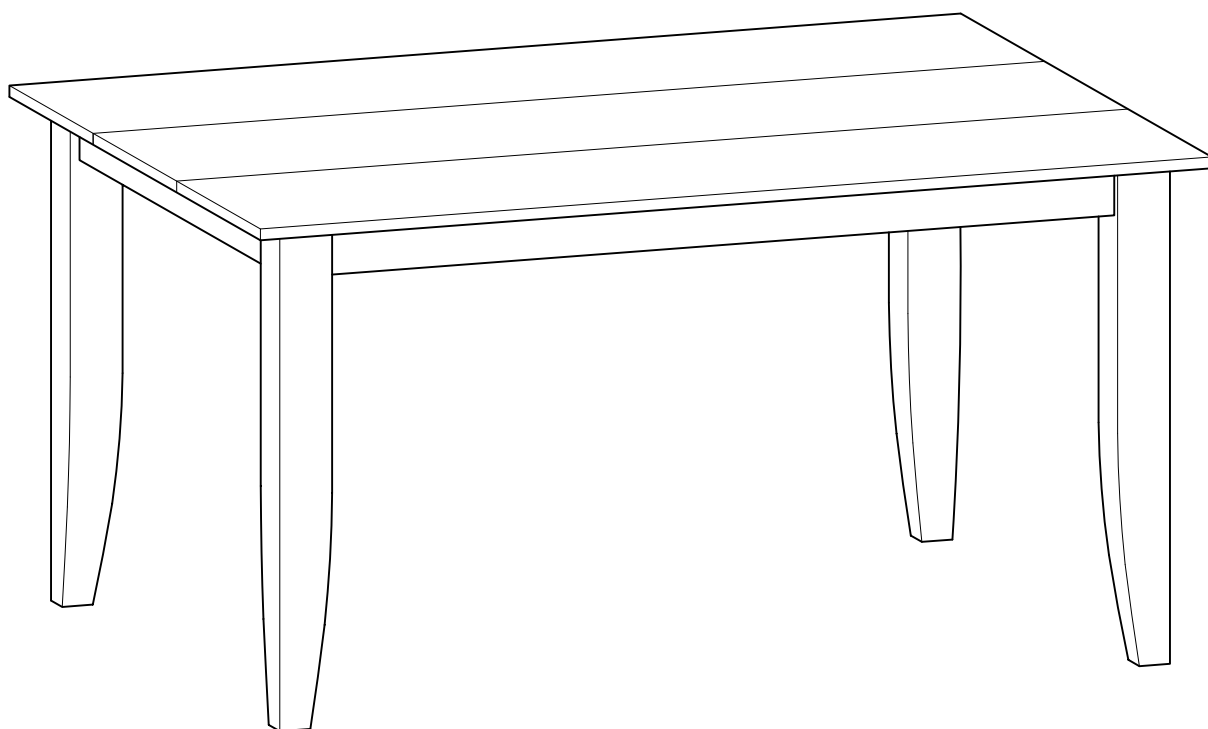
Secure aprons (4,5,7) to the table top using screws (C). Tighten screws (C) with a screwdriver.

Step 10



Attach table legs (8) to the table top assembly using bolts (D) and washers (E,F). Tighten bolts with wrench (A).

Step 11



Final Assembly