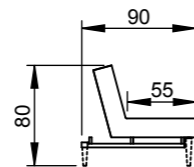
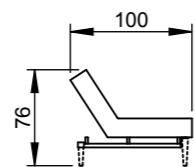
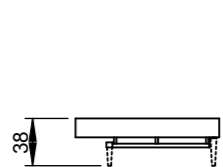
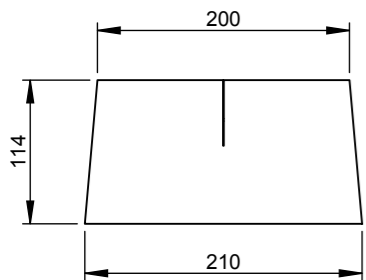
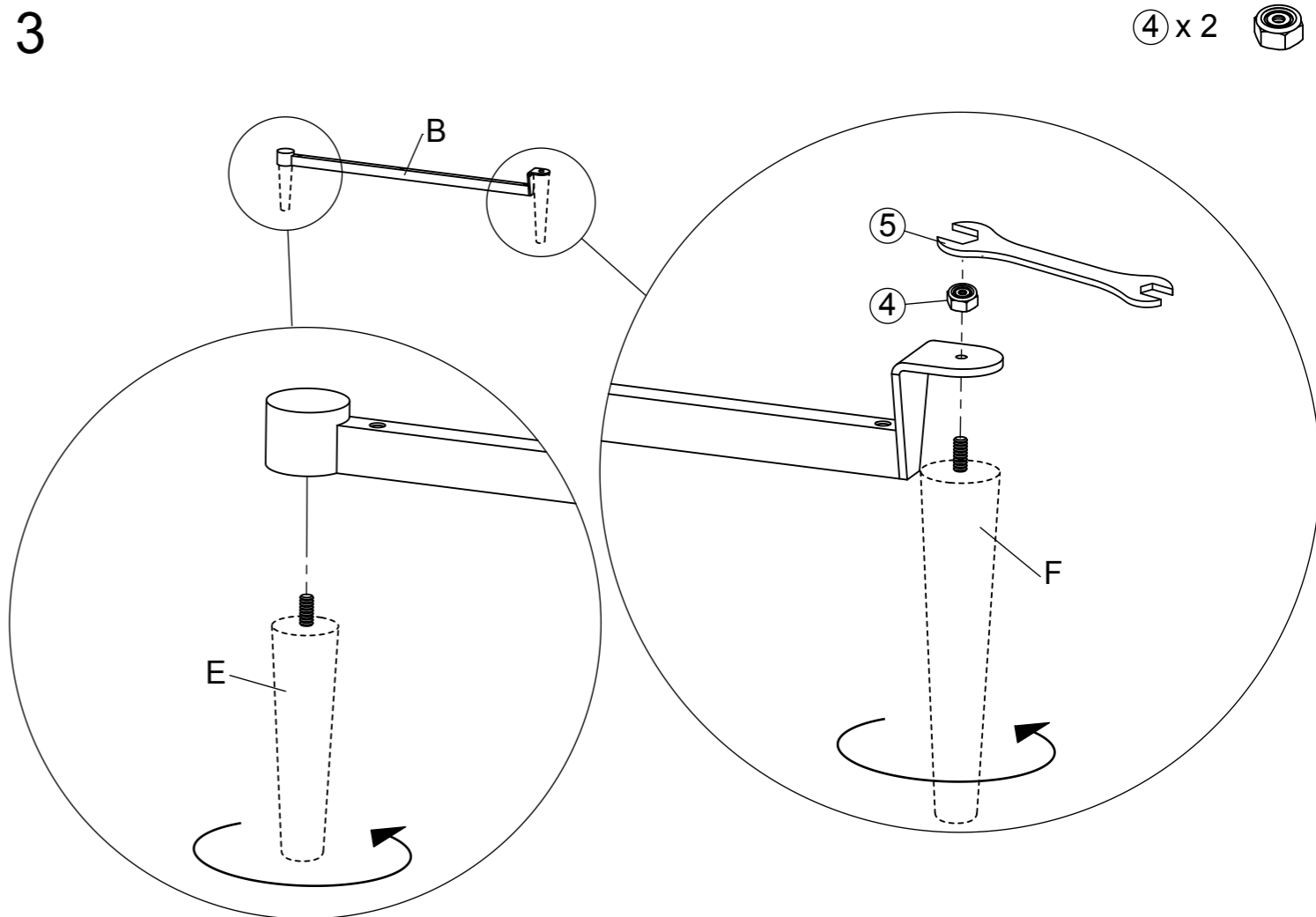
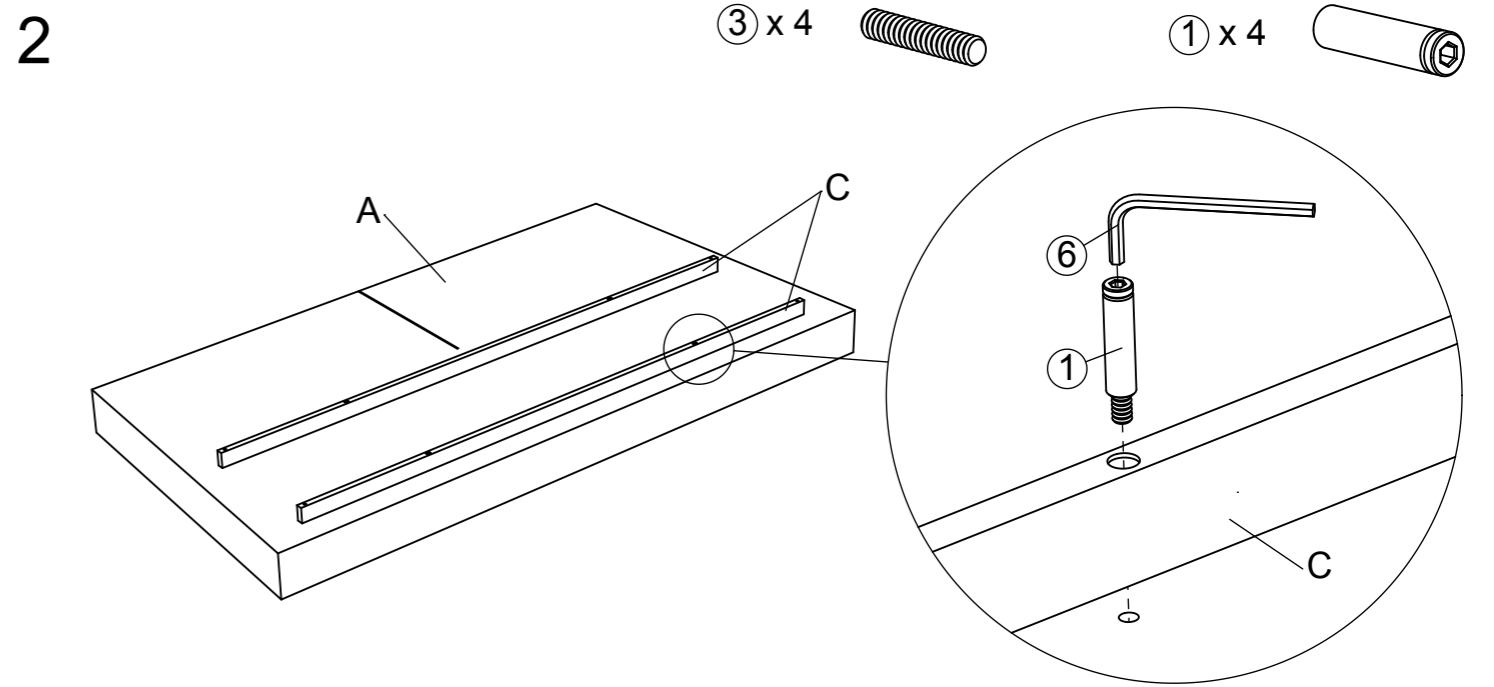
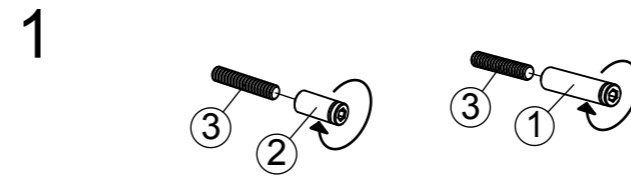
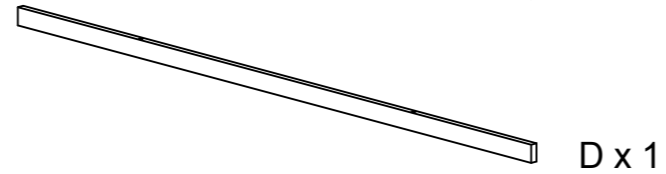
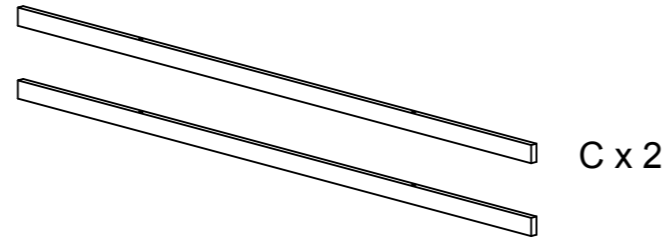
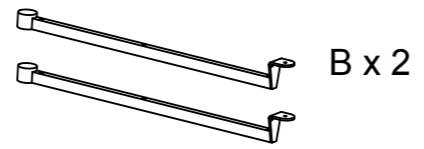
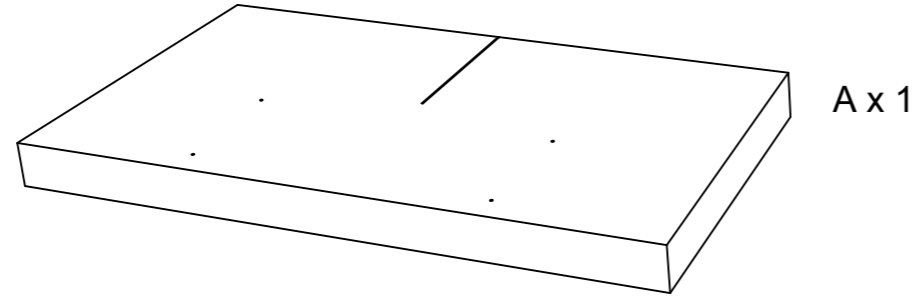




069508-01
SP HL LEG

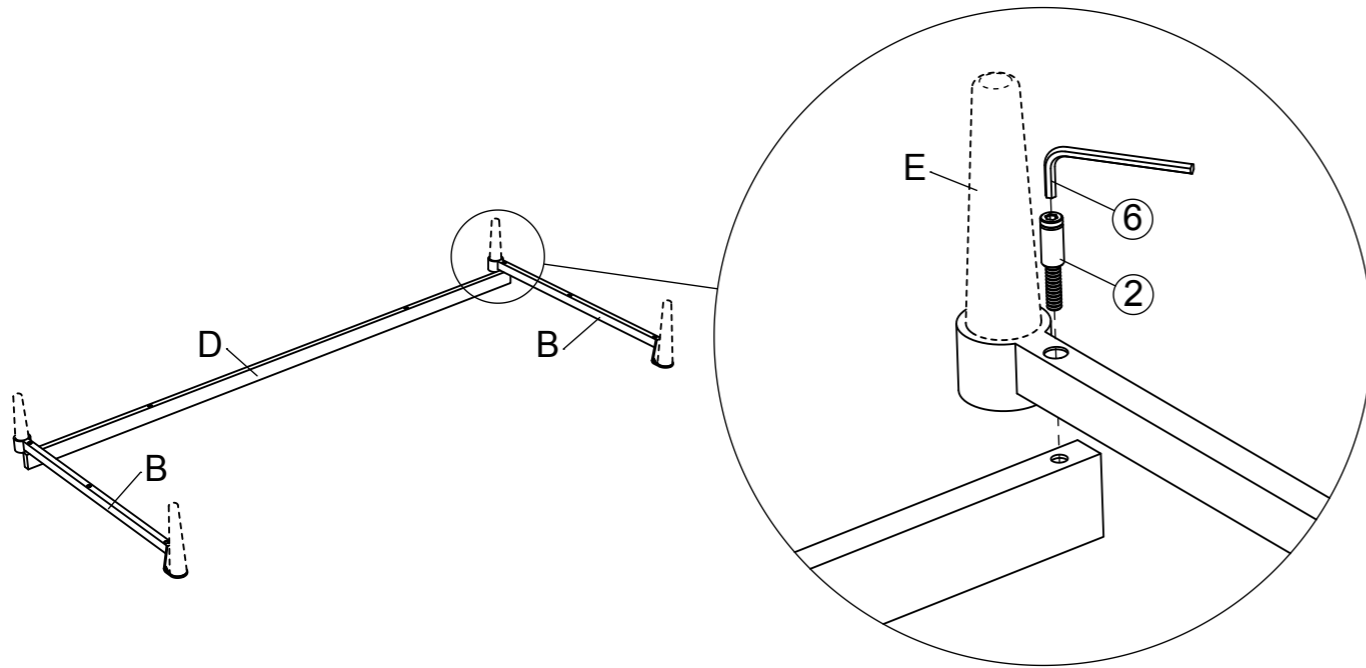
- ① x 4
- ② x 6
- ③ x 10
- ④ x 2
- ⑤ x 1
- ⑥ x 1



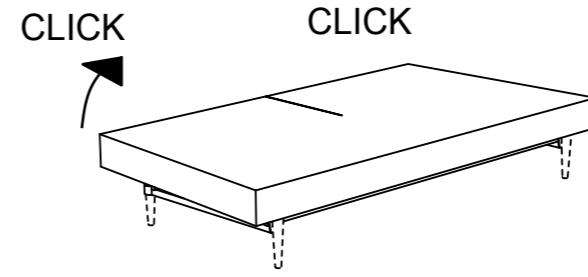
2,54 cm = 1 US INCH

4

③ x 2  ② x 2 



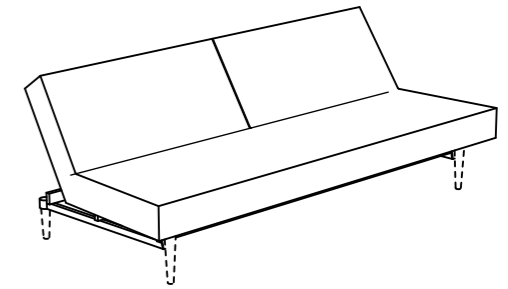
1



SOVE - SCHLAFEN - SLEEP - DORMIR

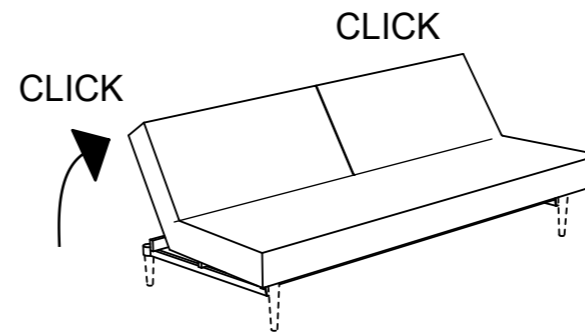
2

069508-01
SP HL LEG



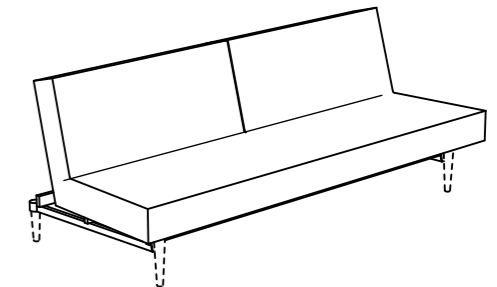
HVILE - RUHE - RELAX - REPOSER

3



HVILE - RUHE - RELAX - REPOSER

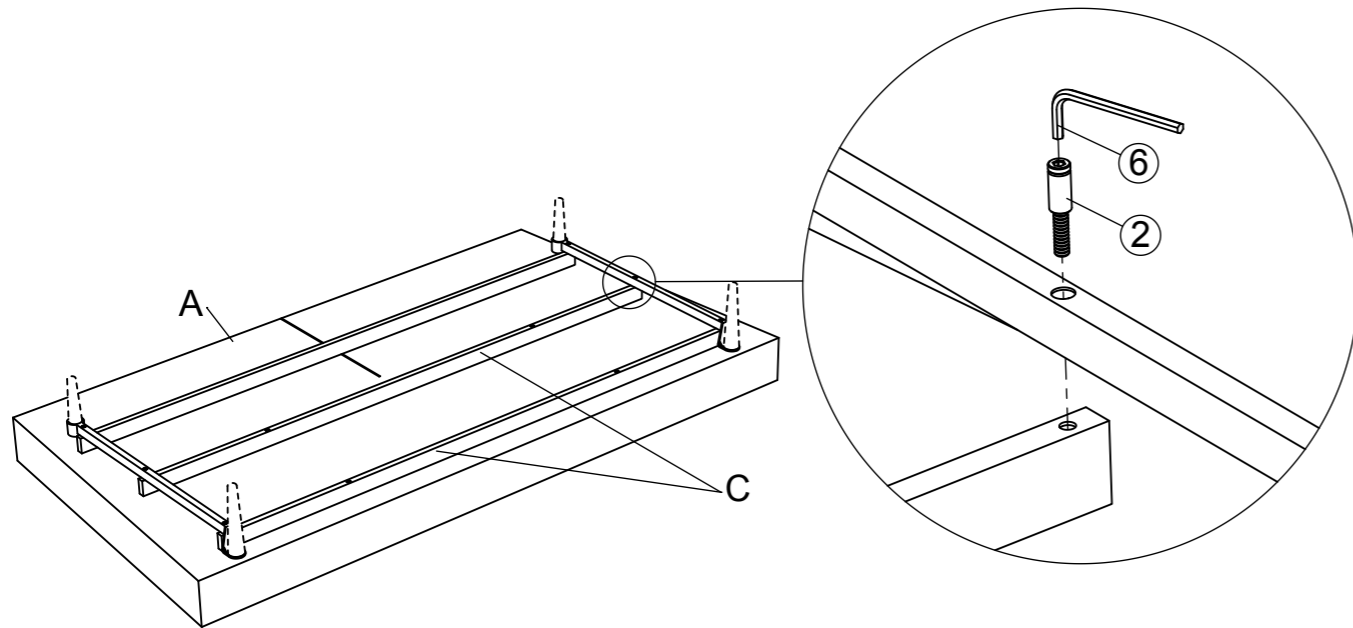
4



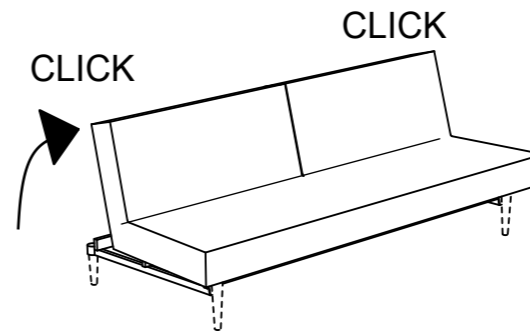
SIDDE - SITZEN - SIT - ASSISE

5

③ x 4  ② x 4 

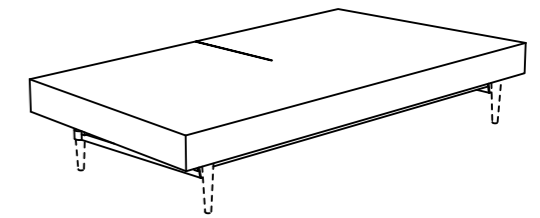


5

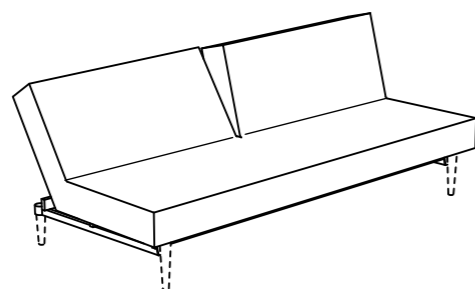


SIDDE - SITZEN - SIT - ASSISE

6



SOVE - SCHLAFEN - SLEEP - DORMIR



HVILE - RUHE - RELAX - REPOSER / SIDDE - SITZEN - SIT - ASSISE