

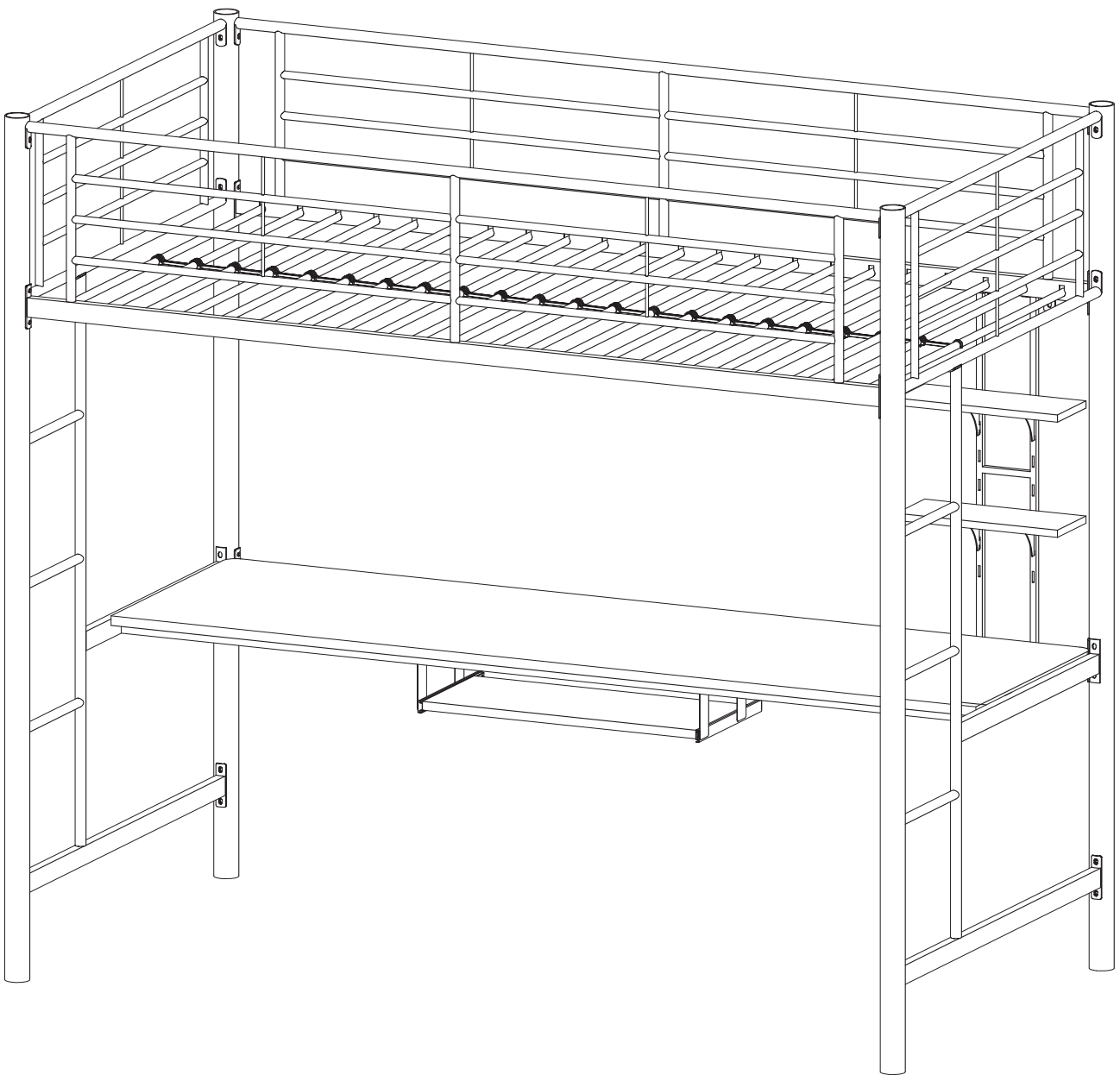


Walker
Edison

furniture company

Item #: BTOZ

Assembly Instructions



For our most current instructions, to request missing, lost or broken parts, or for any other Customer Service issues, please visit our website at www.walkeredison.com or call us at 877-207-5906.

Revised 10/2010



Instruction Manual

IMPORTANT INFORMATION READ BEFORE ASSEMBLING THIS PRODUCT

Follow the information on the warning labels found on the bunk bed and on the packaging. Do not remove the warning label from the bed.

Use only a mattress with the dimensions 74-75 in.L x 37.5-38.5 in.W x 9 in.H on the upper bunk.

The surface of the mattress must be at least 5 in. (127mm) below the upper edge of the guardrails. Mattress must not exceed the maximum thickness of 9 in.

Always use the recommended size of mattress or mattress support, or both, to help prevent the likelihood of entrapment or falls.

The use of a water or sleep flotation mattress is prohibited.

Replacement parts, including additional guardrails, may be obtained from any of Walker Edison Furniture Company's dealers or by contacting us online at www.walker-edison.com.

DO NOT use substitute parts. Contact the manufacturer or dealer for replacement parts.

Always use guardrails on the upper bunk. If the bunk bed will be placed next to a wall, the guardrail running the full length of the bed should be placed against the wall to prevent entrapment between the bed and the wall.

Periodically check that the guardrails, ladders and other components of the bed are in their proper position, free from damage, and that all connectors are tight.

Always use the ladder to access the upper bunk.

DO NOT allow children under 6 years of age to use the upper bunk.

DO NOT allow horseplay on or under the bed. Prohibit jumping on the bed.

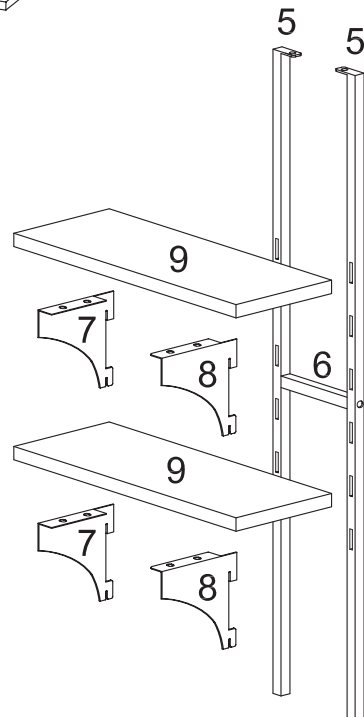
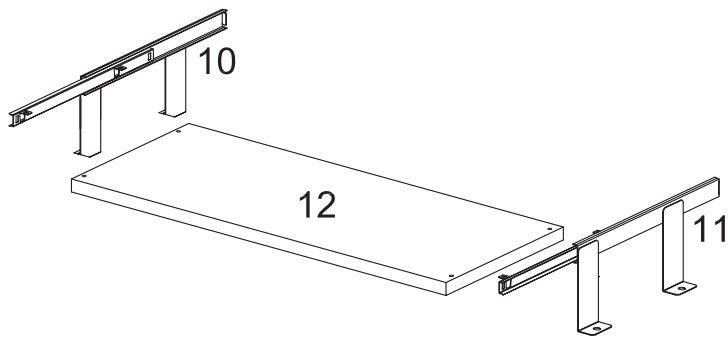
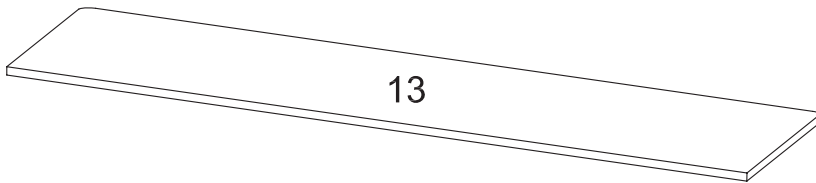
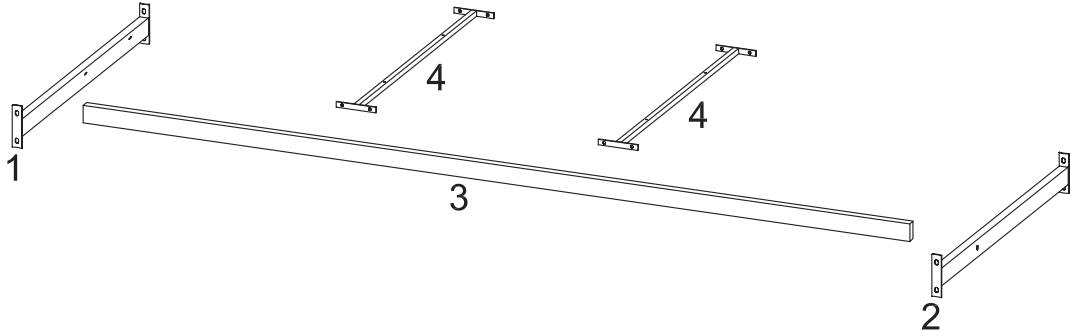
Prohibit more than one person on the upper bunk.

The use of a night light may provide an added safety precaution for a child using the upper bunk.





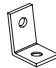

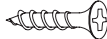



STRANGULATION HAZARD – Never attach or hang items to any part of the bunk bed that are not designed for use with the bed; including but not limited to hooks, belts and jump ropes.

Keep these instructions for future reference.

Parts List

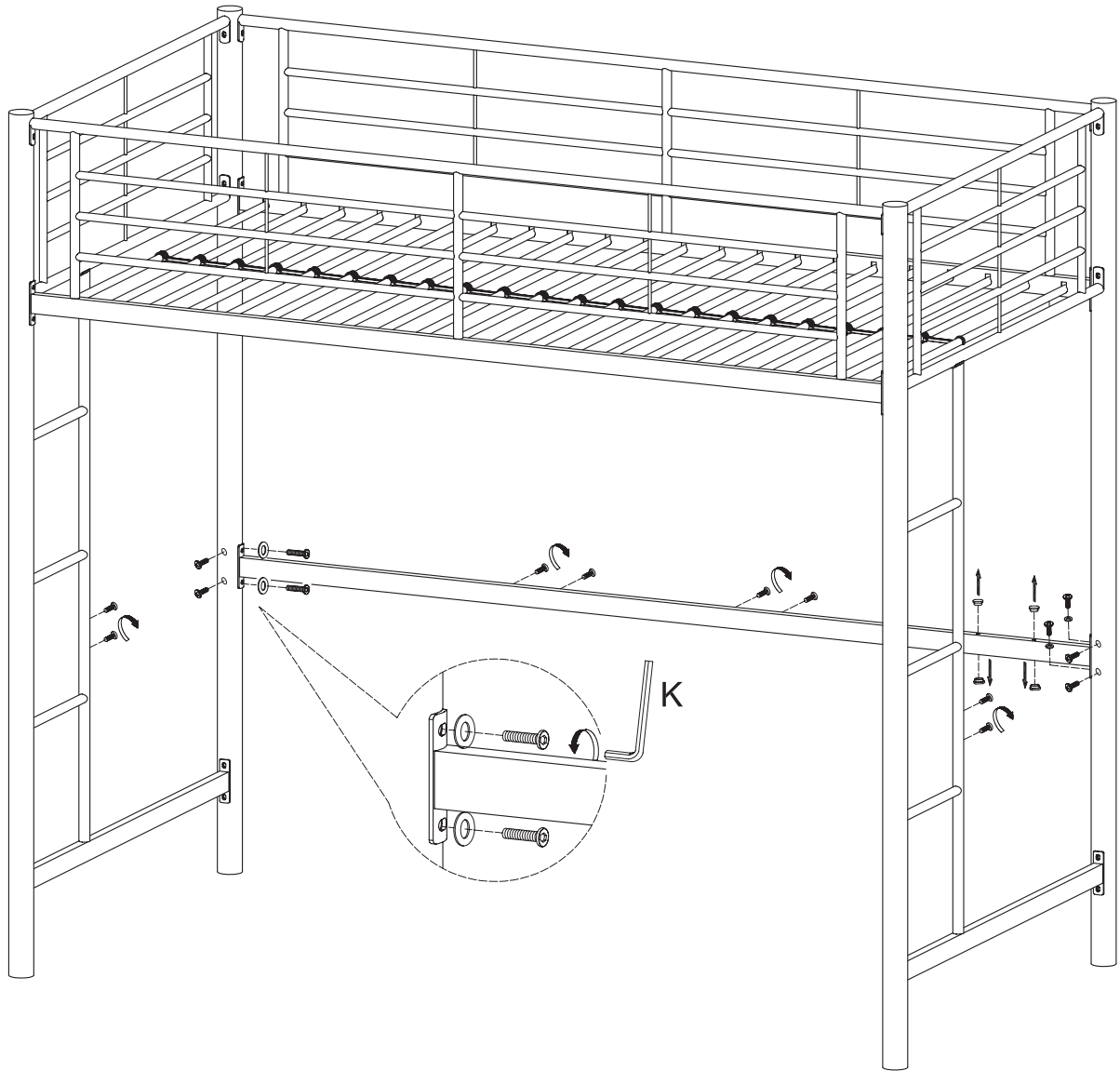


Hardware List

A		Ø1/4"x5/8"	Medium bolt	22 pcs
B		Ø1/4"x16	Washer	30 pcs
C		Ø1/4"x1-1/2"	Large bolt	4 pcs
D		Ø1/4"x1/2"	Small bolt	12 pcs
E			Angle bracket	4 pcs
F		Ø4x25	Large screw	4 pcs
G		Ø4x13	Medium screw	4 pcs
H		Ø1/4"x2-1/4"	Extra-large bolt	2 pcs
J		Ø3x13	Small screw	4 pcs
K		M4	Wrench	1 pc

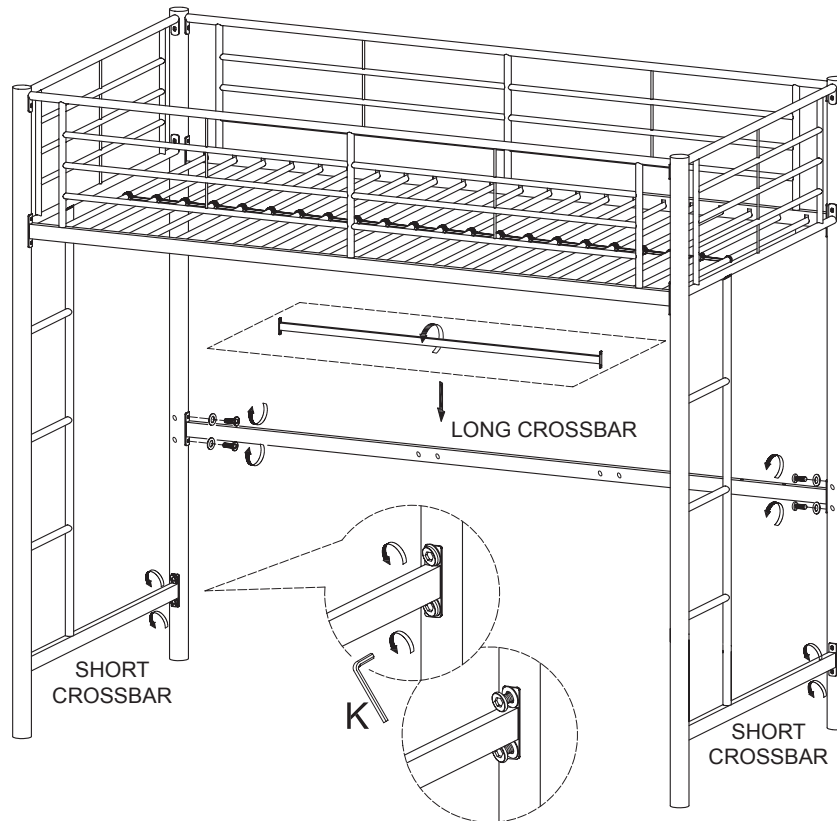
*The hardware quantities listed above are required for proper assembly.
Some extra hardware may also have been included.*

Step 1



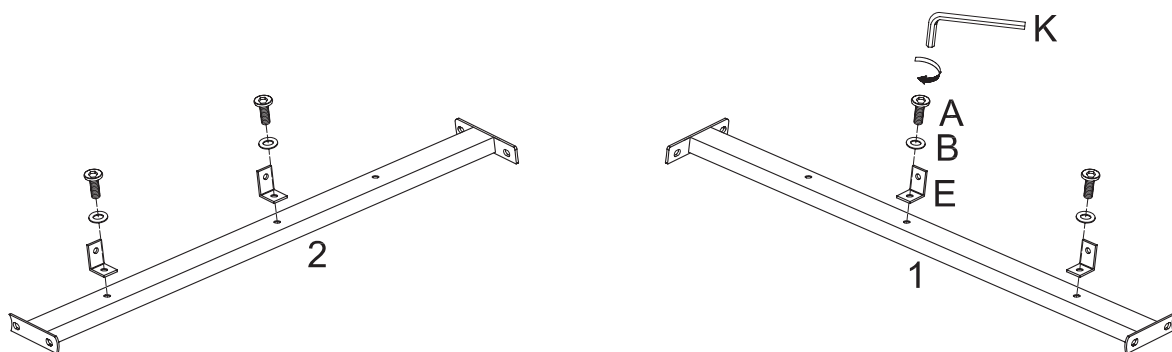
Remove the bolts, washers and plastic plugs shown above from the bunk bed frame.

Step 2



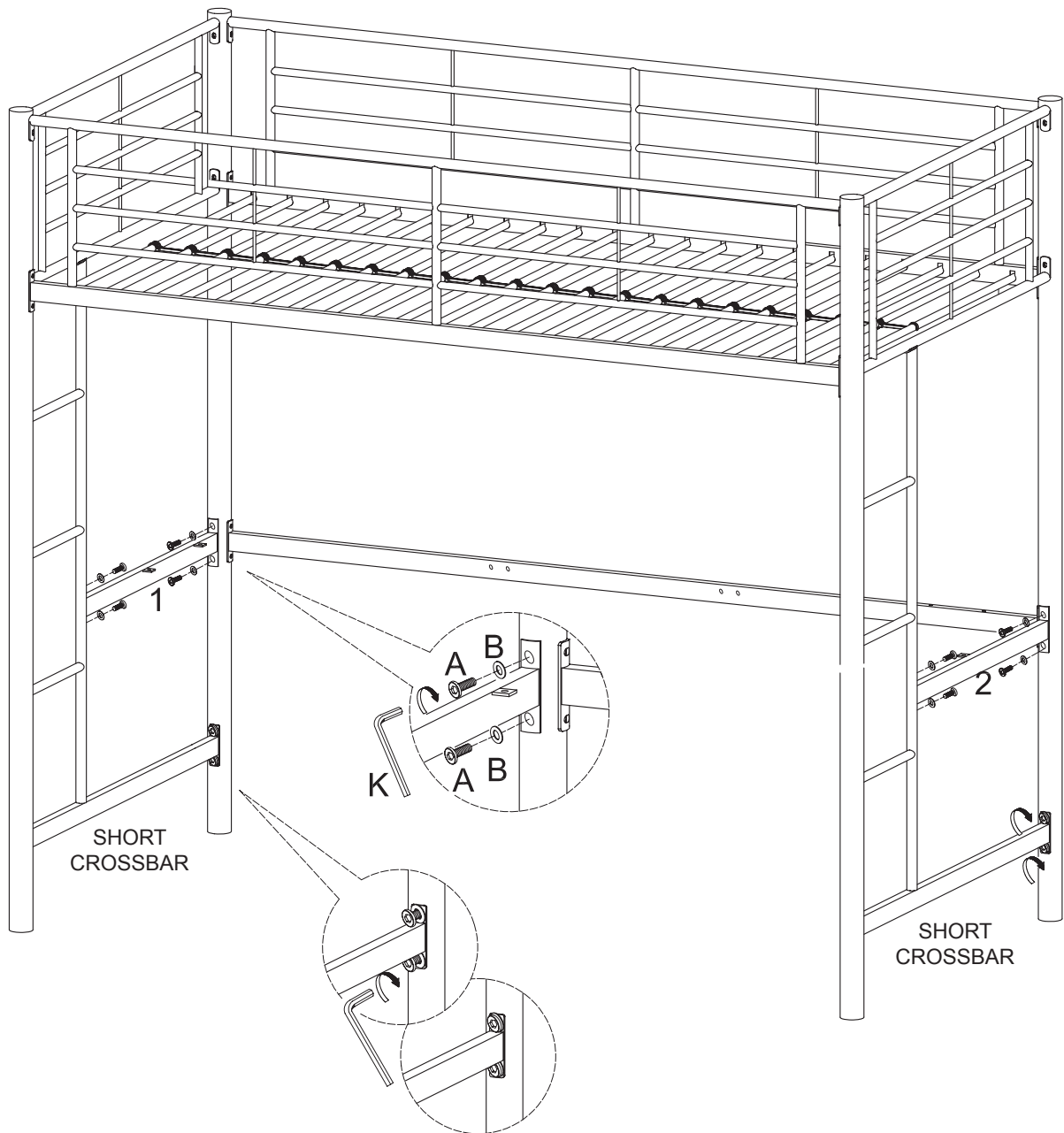
Remove the long crossbar from the bunk bed frame and turn it over so the screw holes are facing forward. Reattach the long crossbar to the bunk bed frame using the bolts and washers from Step 1. Loosen, but do not remove the bolts that anchor the short crossbars to the bunk bed frame.

Step 3



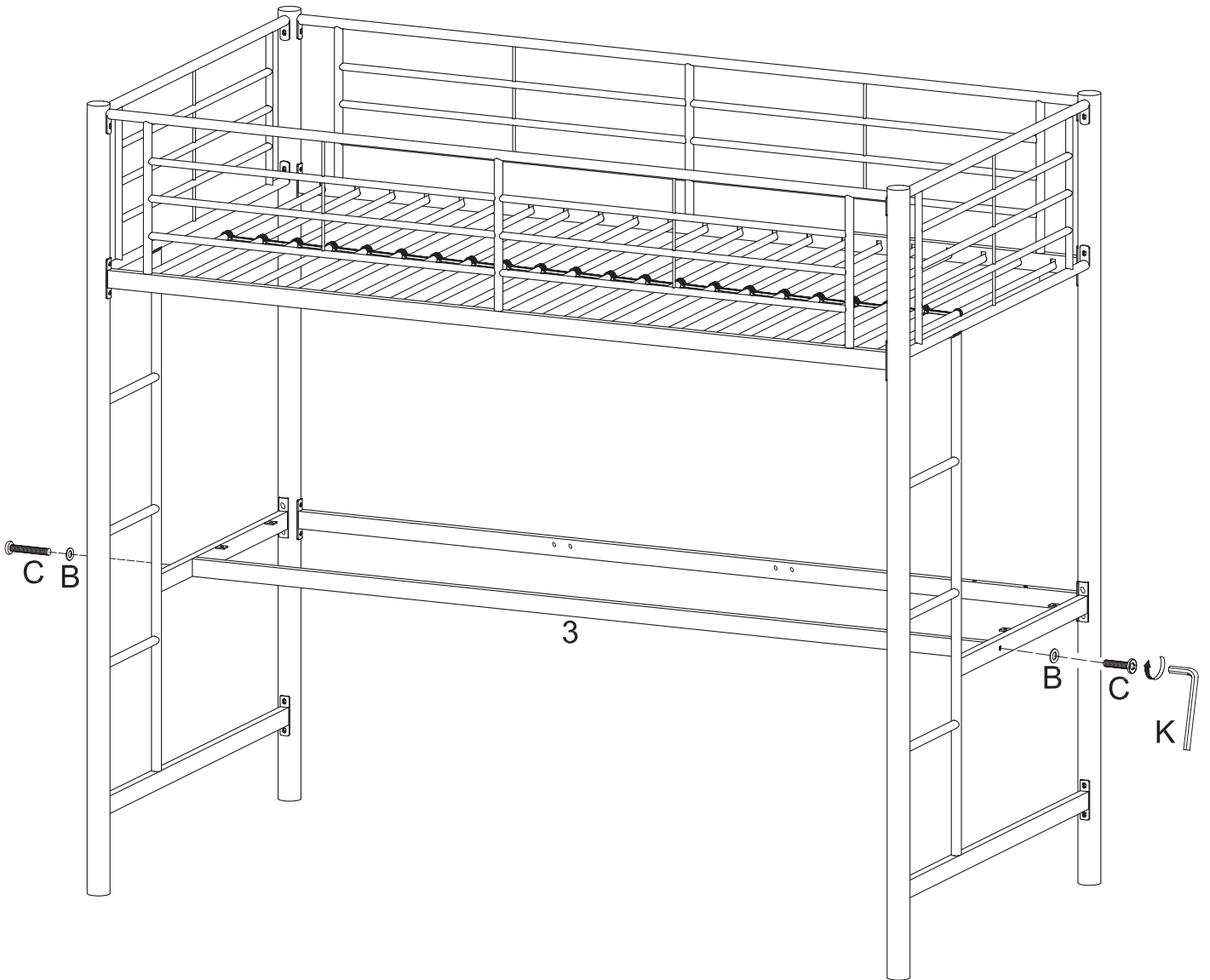
Attach angle brackets (E) to crossbars (1,2) using medium bolts (A) and washers (B).

Step 4



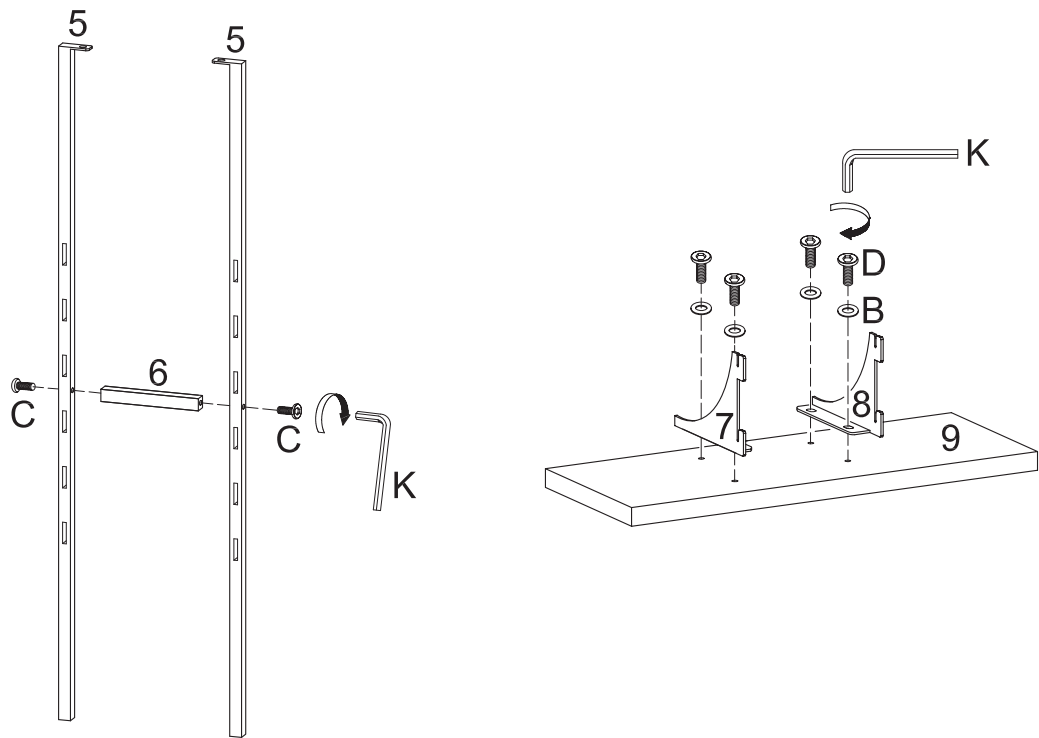
Attach crossbars (1,2) to the bunk bed frame using medium bolts (A) and washers (B). Retighten the bolts that secure the short crossbars.

Step 5



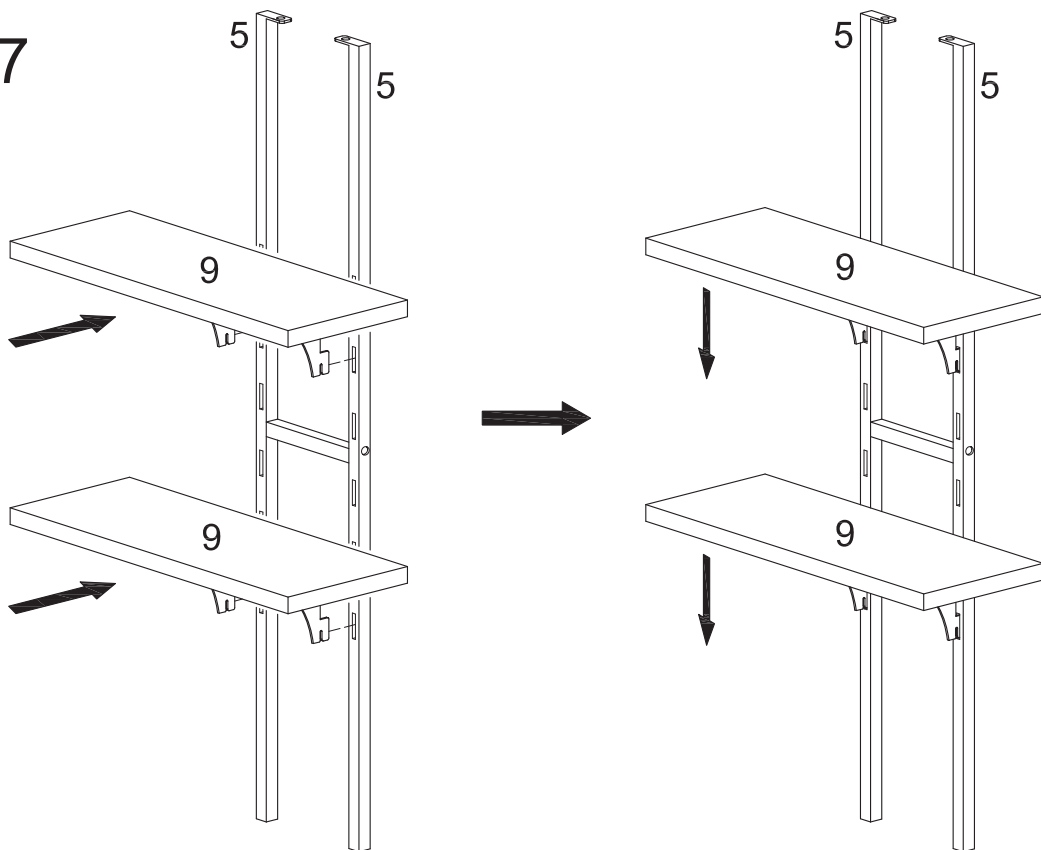
Attach crossbar (3) to the bunk bed frame using large bolts (C) and washers (B).

Step 6



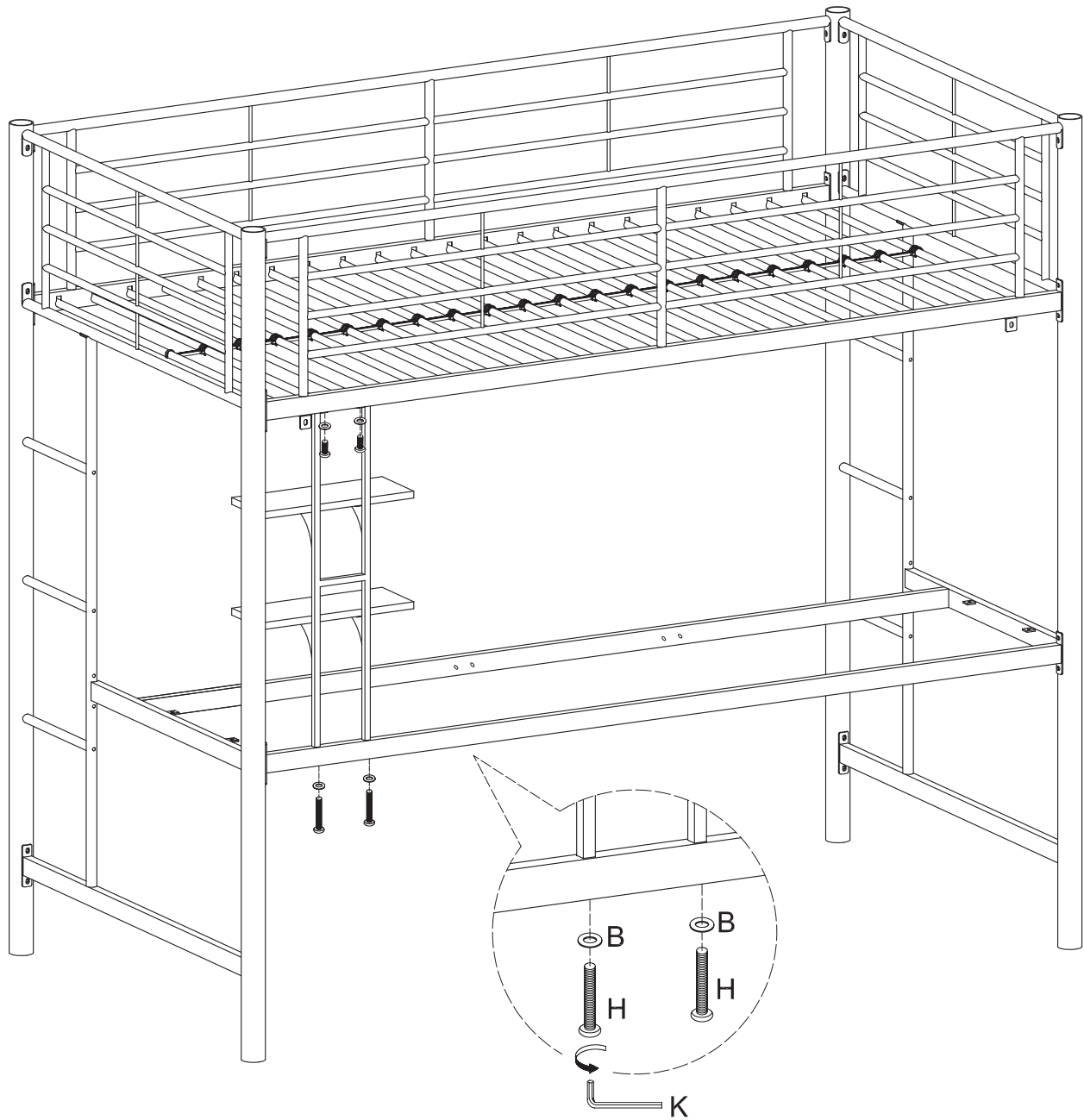
Attach shelf racks (5) to shelf crossbar (6) using large bolts (C). Build each shelf by attaching shelf supports (7,8) to shelf top (9) using small bolts (D) and washers (B).

Step 7



Attach the assembled shelves from Step 6 to shelf racks (5) by inserting them in at the desired height and gently pushing down to lock in place.

Step 8



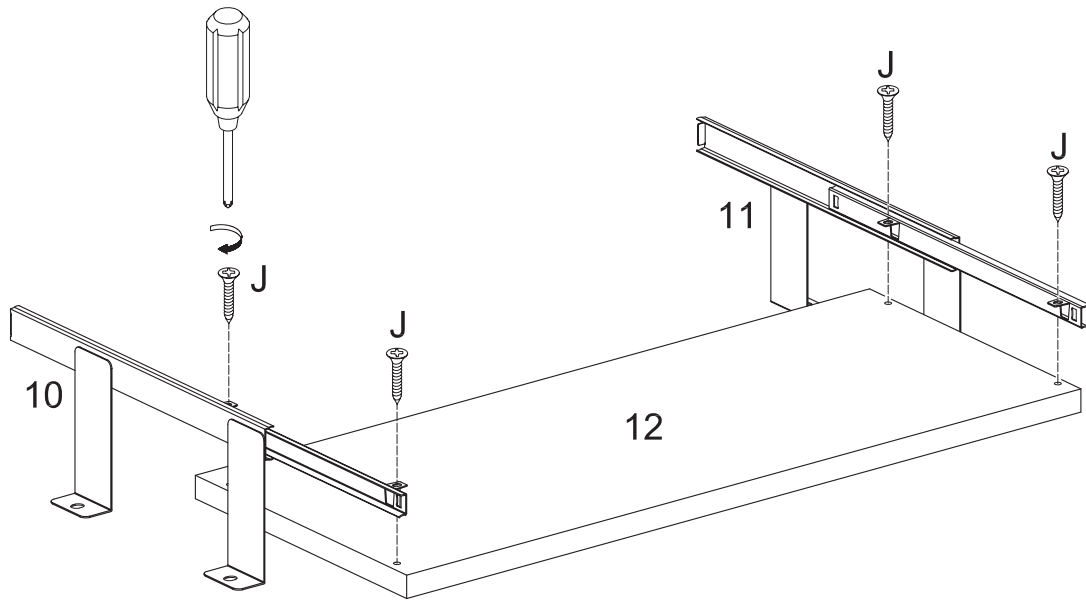
Attach the shelf assembly from Step 7 to the bunk bed frame using extra-large bolts (H) and washers (B).

Step 9



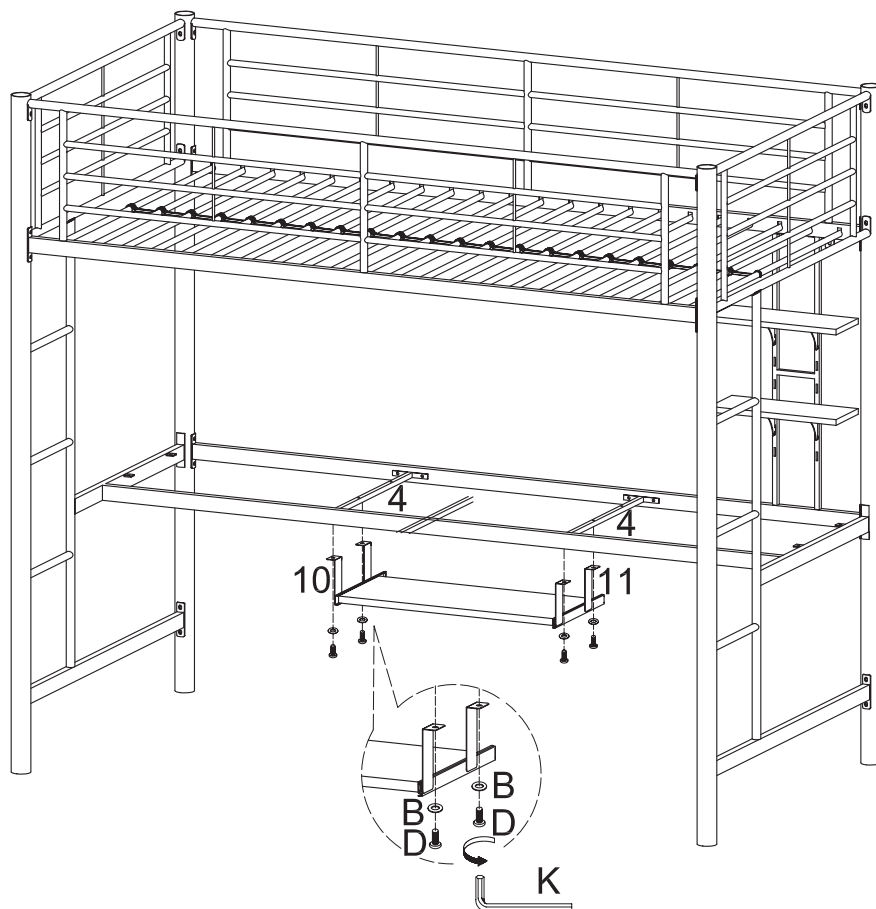
Attach desk crossbars (4) to the bunk bed frame using medium bolts (A).

Step 10



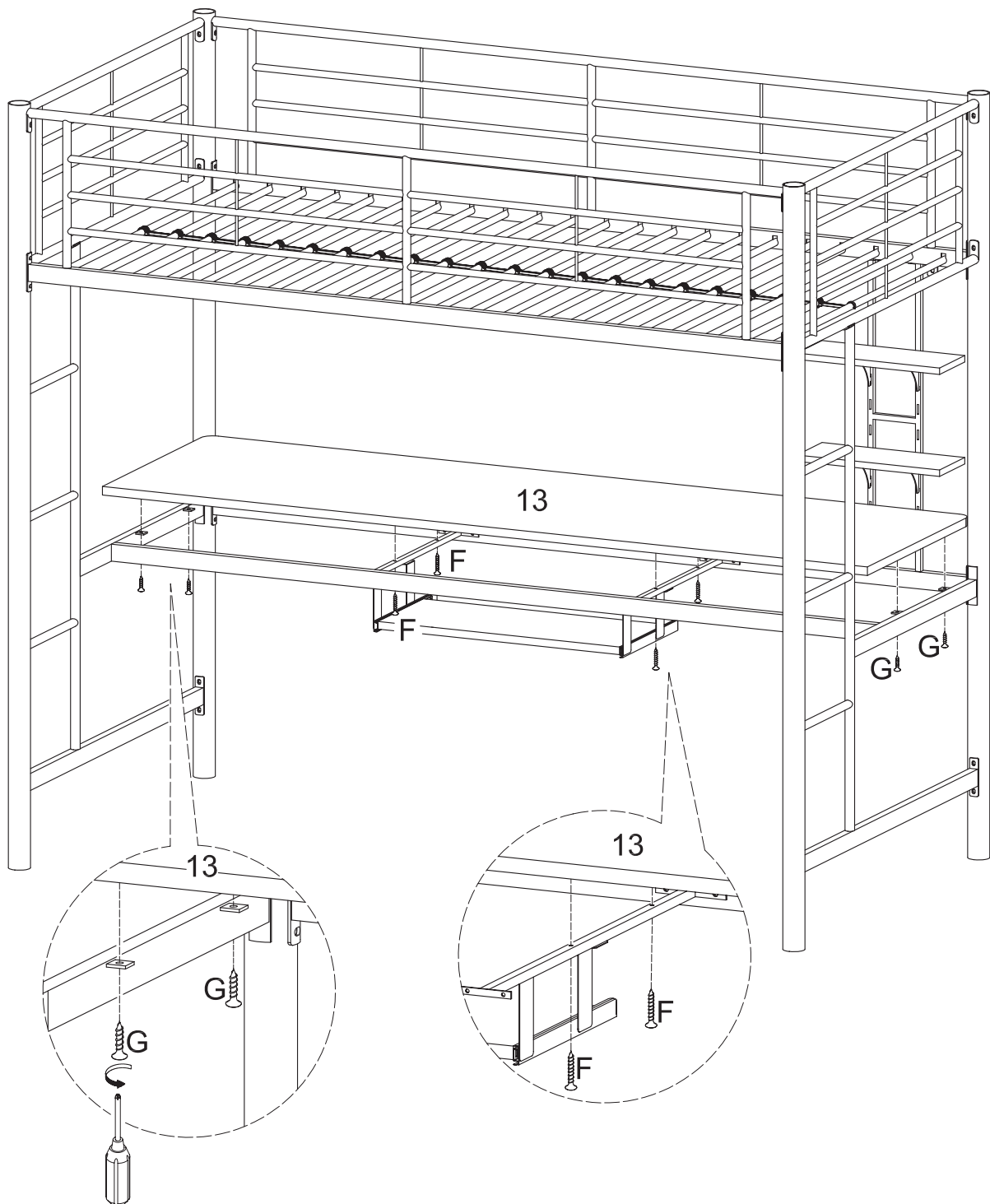
Attach keyboard sliders (10,11) to keyboard tray (12) using small screws (J).

Step 11



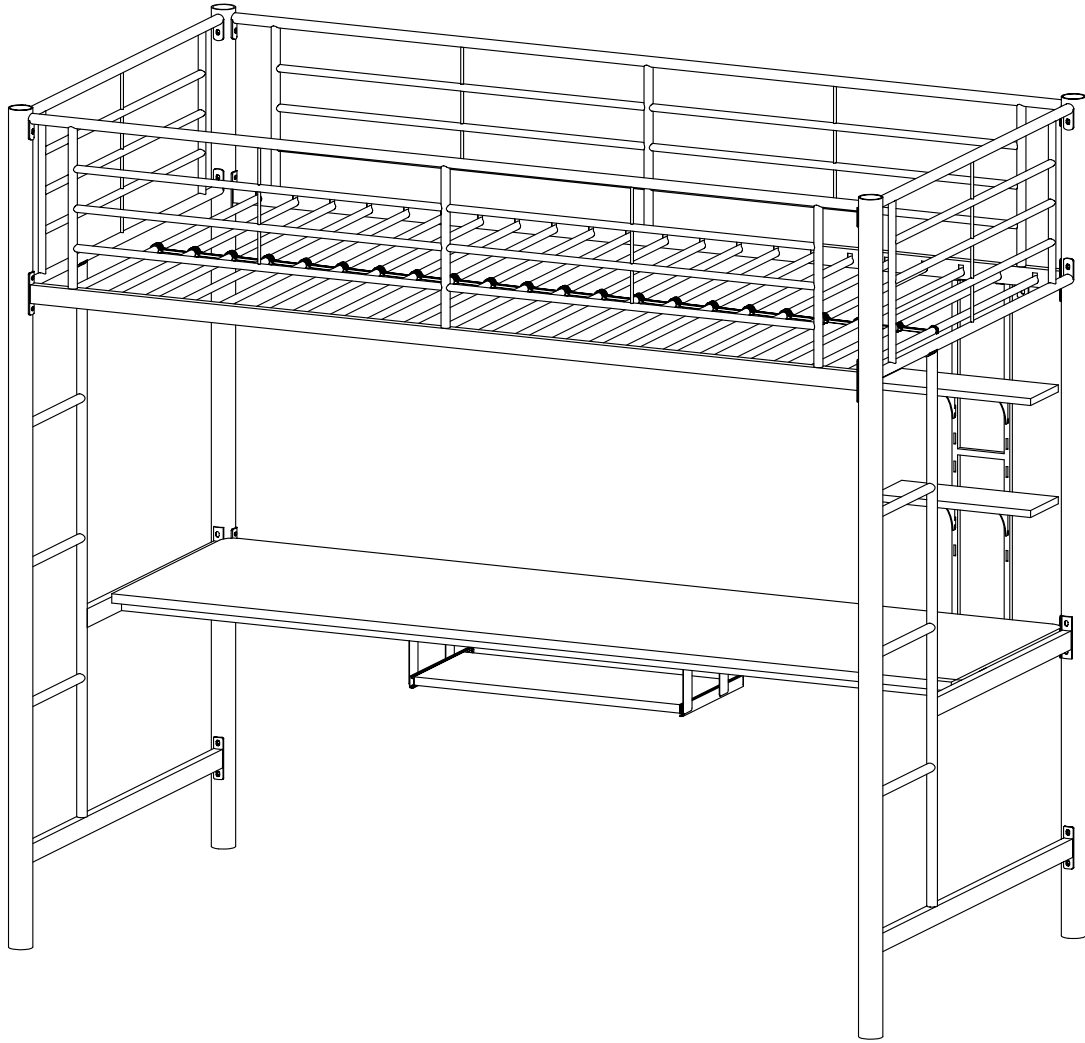
Attach the keyboard assembly from Step 10 to crossbars (4) using small bolts (D) and washers (B).

Step 12



Attach the desk top (13) to the bunk bed frame using medium screws (G) on either end, and large screws (F) at the keyboard tray assembly.

Step 13



Final Assembly