

DRAWERS

DRAWERS

Full Drawers Box Dimensions

	H	W	L	m3
(BD-FUL-) mm	75	610	1095	0.050 m3
inches	3"	24"	43 1/8"	1.77 cu.ft.

Box Weight

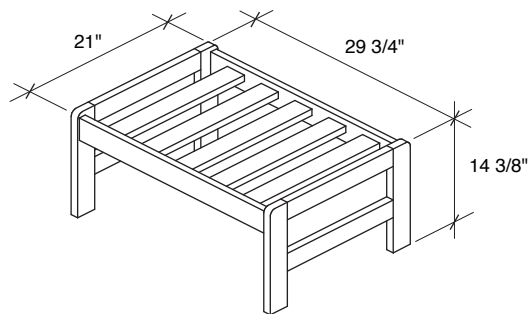
	Net	Gross
Kg	16.4	17.8
lbs	36	39

Queen Drawers Box Dimensions

	H	W	L	m3
(BD-QEN-) mm	75	610	1095	0.050 m3
inches	3"	24"	43 1/8"	1.77 cu.ft.

Box Weight

	Net	Gross
Kg	17.7	19.1
lbs	39	42



OTTOMAN

OTTOMAN

Chair Ottoman Box Dimensions

	H	W	L	m3
(OT-CHR-) mm	95	555	740	0.039 m3
inches	3 3/4"	21 7/8"	29 1/8"	1.38 cu.ft.

Box Weight

	Net	Gross
Kg	6	7
lbs	13	15

Assembled Product and Carton Dimensions*

STANDARD COLLECTION
Accessories



Night & Day Furniture
www.nightanddayfurniture.com

1501 NE 106th Street Vancouver WA 98686
Tel: (360) 573-3309 Fax: (360) 573-3326



SHOE FITTINGS™ Bronze

The Futon Operating System of Choice

*Please note. The above weights and measures may be subject to change without notice.