

**COASTER**®  
*Fine Furniture*

**300160**

**Tan Microfiber with Brown PU Coating Sofa Bed**

**ASSEMBLY INSTRUCTION**  
**COASTER FINE FURNITURE**



**[www.coastercompany.com](http://www.coastercompany.com)**

2012/09/26

# Assembly Instruction

**ASSEMBLY TIPS:**

- 1.Remove hardware from box and sort by size.
- 2.Please check to see that all hardware and parts are present prior to start of assembly.
- 3.Please follow attached instructions in the same sequence as numbered to assure fast & easy assembly.



**Warning !**

- 1.Don't attempt to repair or modify parts that are broken or defective.Please contact the store immediately.
- 2.This product is for home use only and not intended for commercial establishment.

## PARTS IDENTIFICATION:

A FRAME



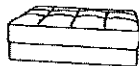
1PC

D BACK CUSHION



3PC

B OTTOMAN - SMALL



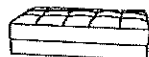
1PCS

E PILLOW



2PCS

C OTTOMAN - LARGE



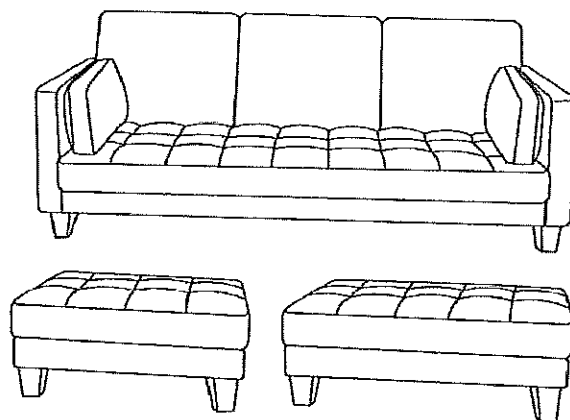
1PCS

F LEG



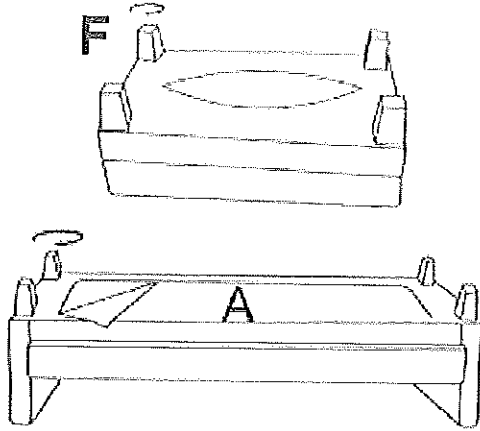
12PCS

STEP:

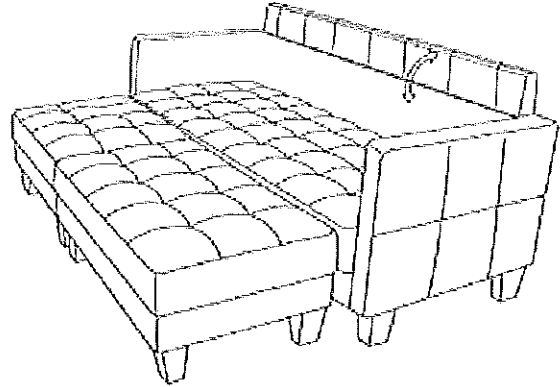


STEP:1

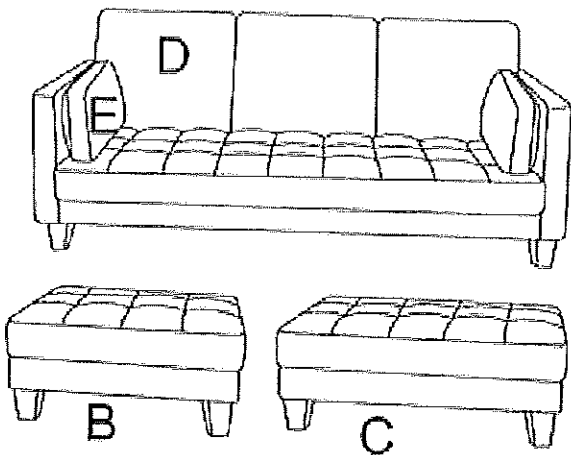
Open zipper to remove legs. Turn legs clockwise to screw into place.



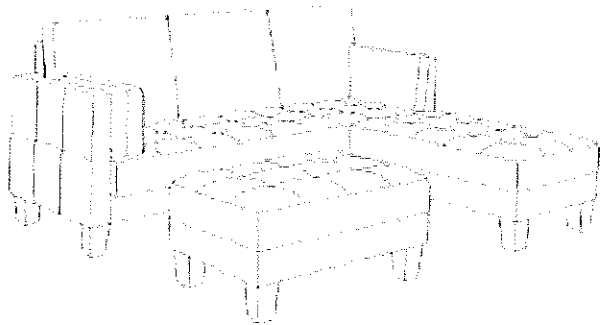
STEP:2



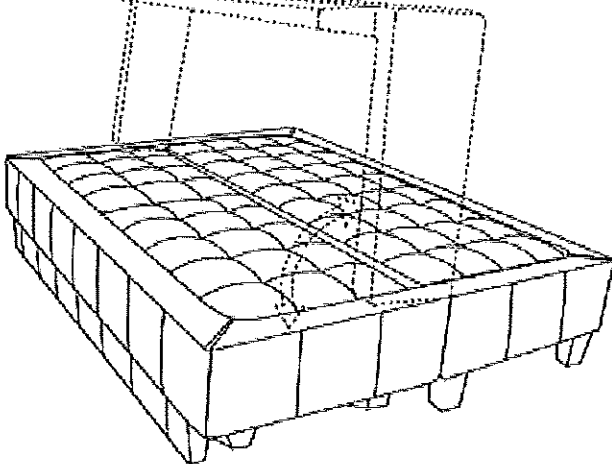
STEP:3



STEP:4



STEP:5



STEP:6

