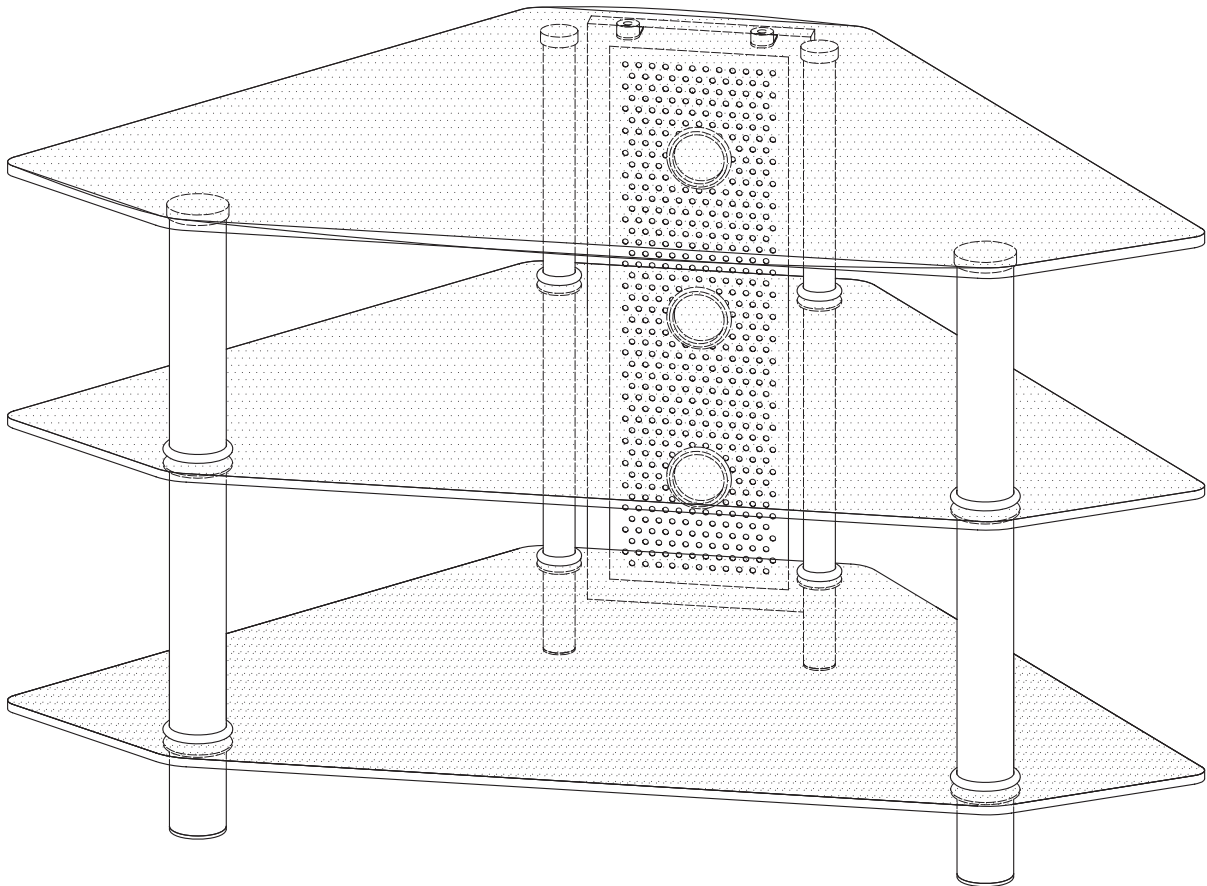


W Walker
Edison
furniture company

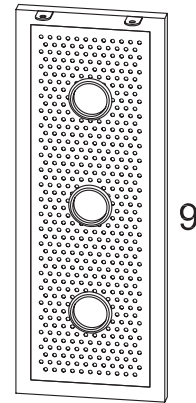
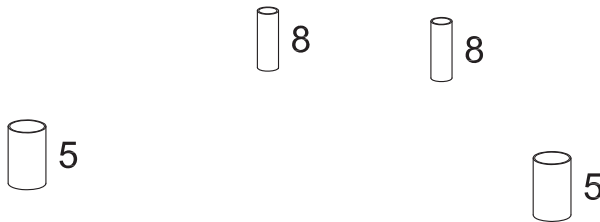
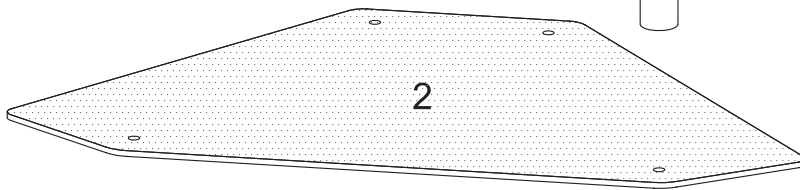
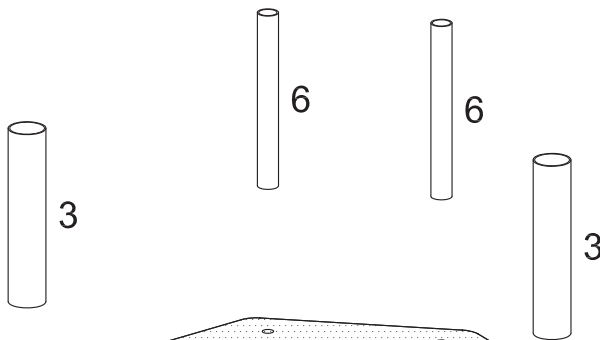
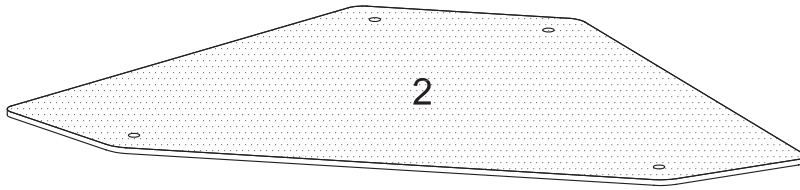
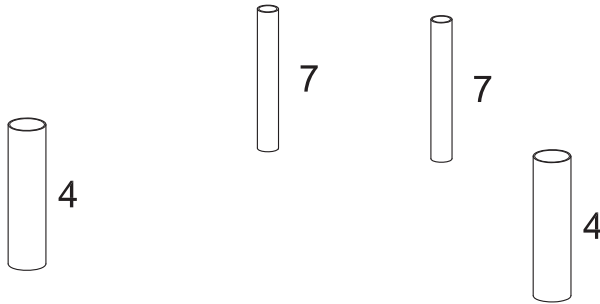
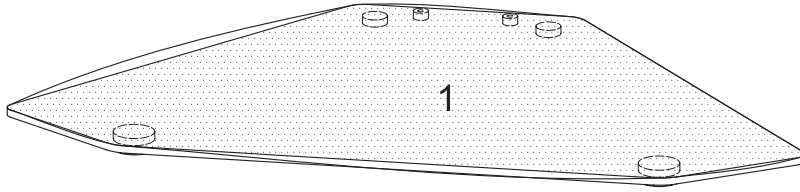
Item #: V44Y76
Assembly Instructions











For our most current instructions, to request missing, lost or broken parts, or for any other Customer Service issues, please visit our website at www.walkeredison.com or call us at 877-207-5906.

Revised 12/2010

Parts List

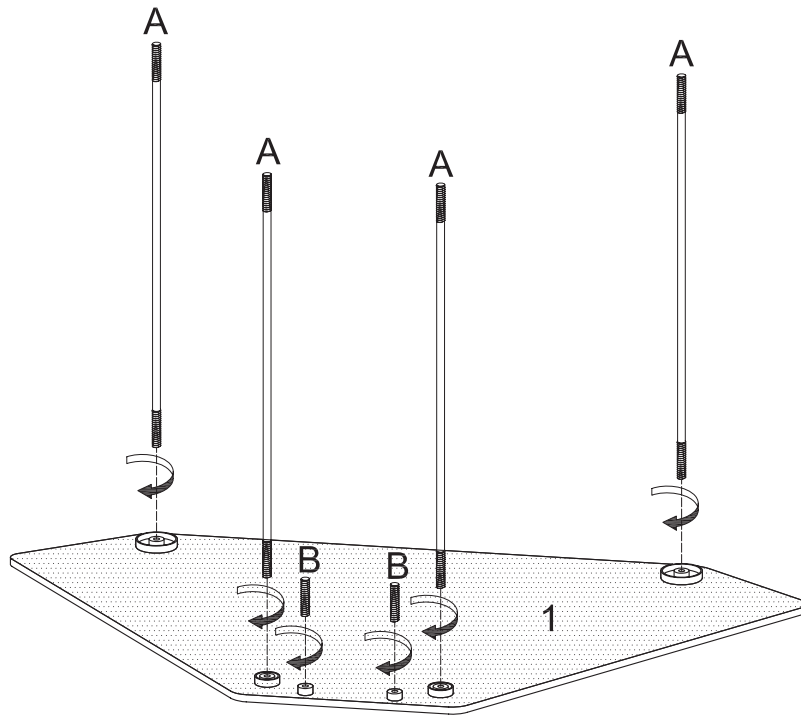


Hardware List

A		Long rod	4 pcs
B		Short rod	2 pcs
C		Cap nut	2 pcs
D		Large decorative ring	8 pcs
E		Small decorative ring	8 pcs
F		Large cap	2 pcs
G		Small cap	2 pcs
H		Wrench	1 pc

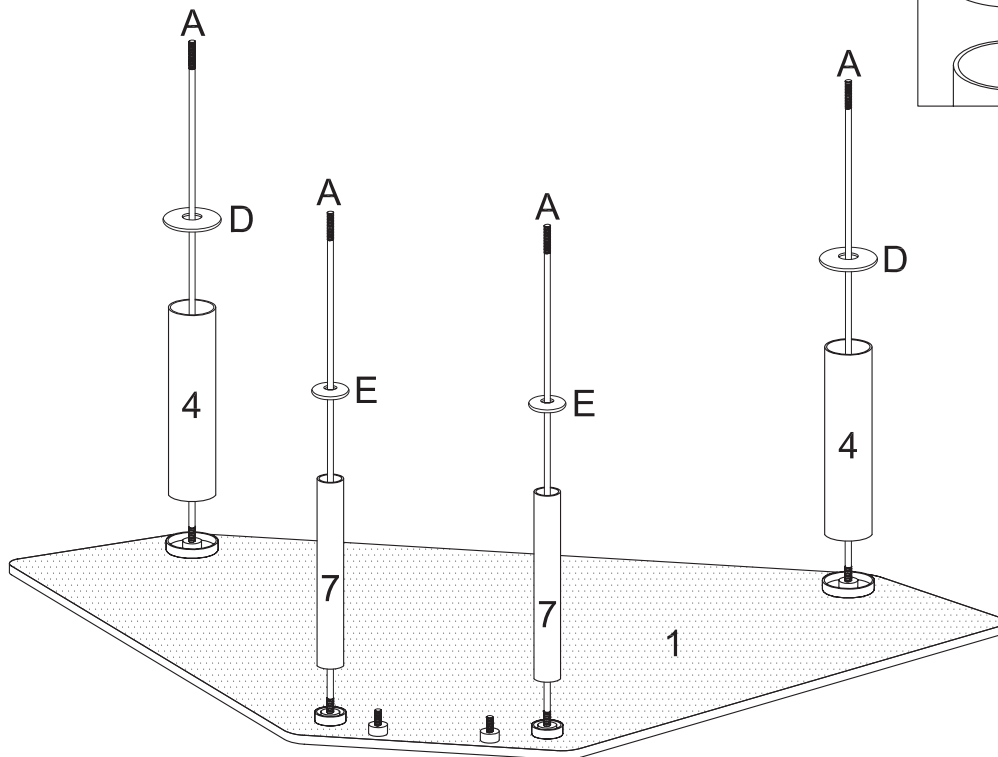
*The hardware quantities listed above are required for proper assembly.
Some extra hardware may also have been included.*

Step 1



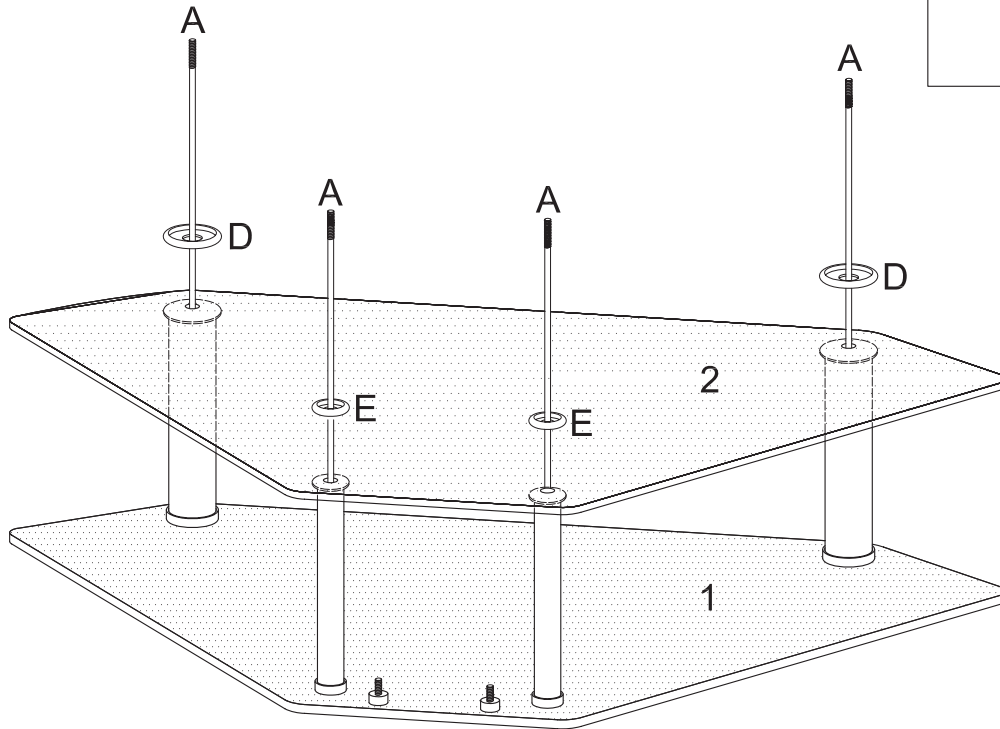
Carefully lay glass (1) upside down on a soft surface. Screw long rods (A) and short rods (B) into the appropriate metal plates of glass (1).

Step 2



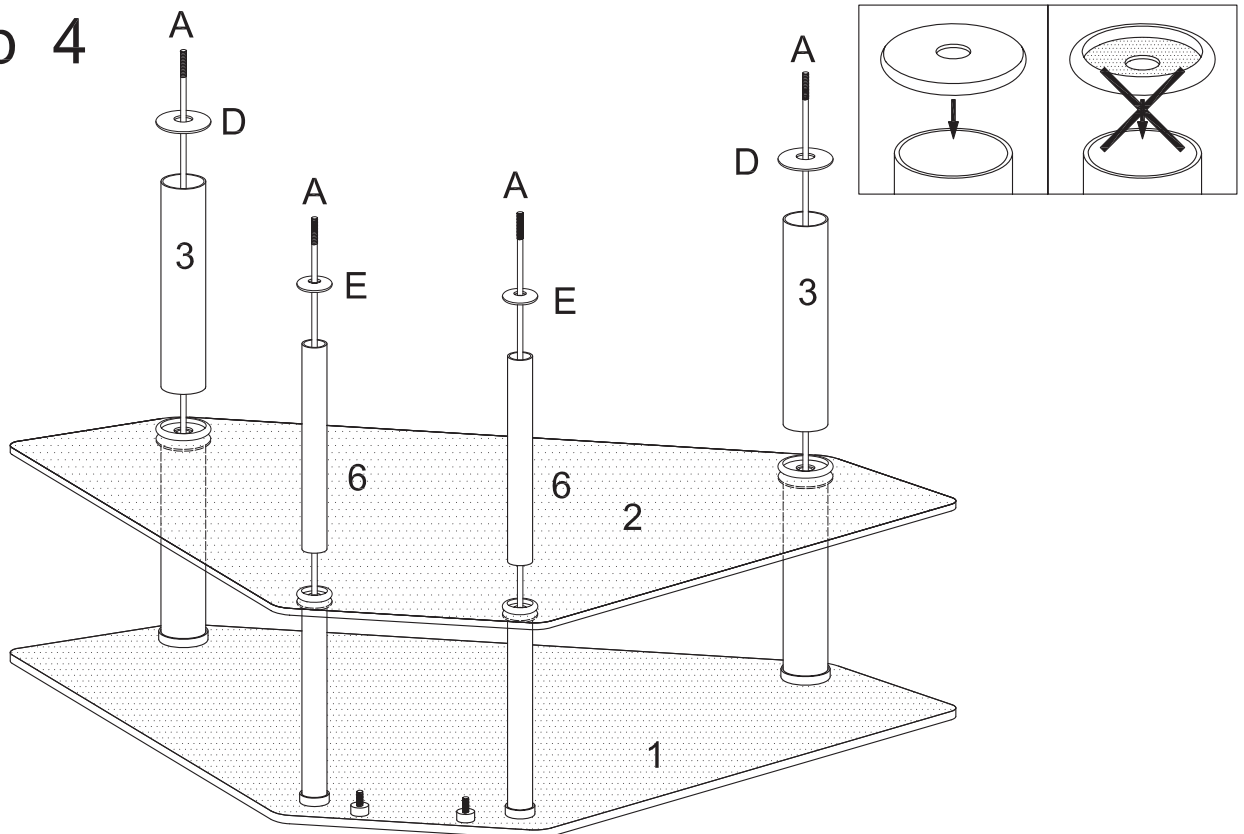
Slide cylinders (4) onto back long rods (A). Slide large decorative rings (D) onto back long rods (A) and snap onto cylinders (4). Slide cylinders (7) onto front long rods (A). Slide small decorative rings (E) onto front long rods (A) and snap onto cylinders (7).

Step 3



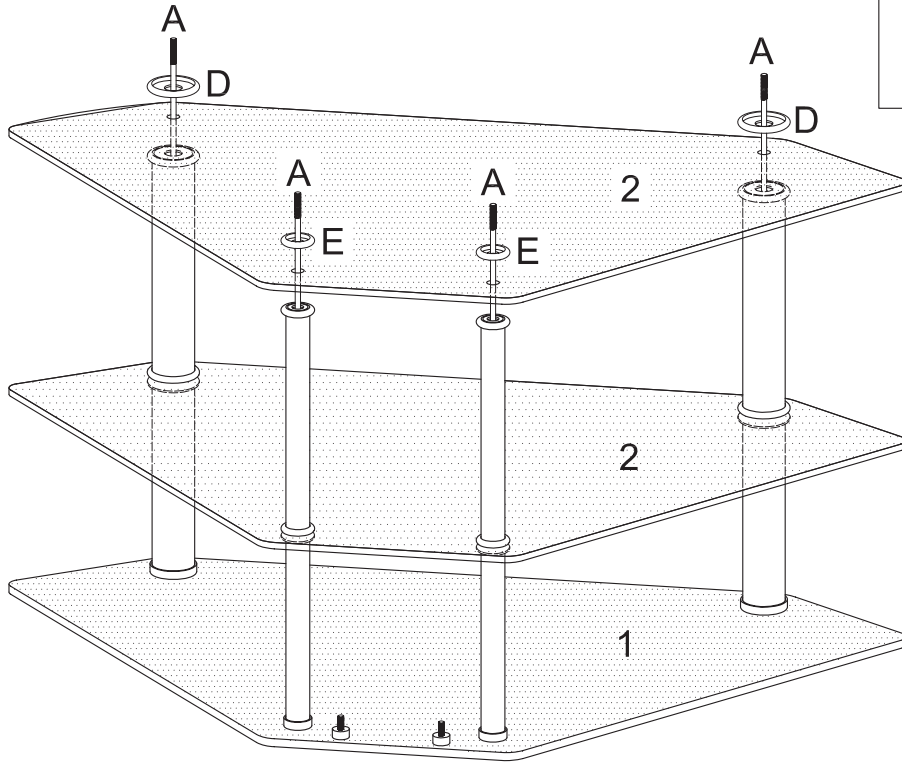
Carefully slide glass (2) into place using long rods (A) as guides. Slide large decorative rings (D) onto back long rods (A). Slide small decorative rings (E) onto front long rods (A).

Step 4



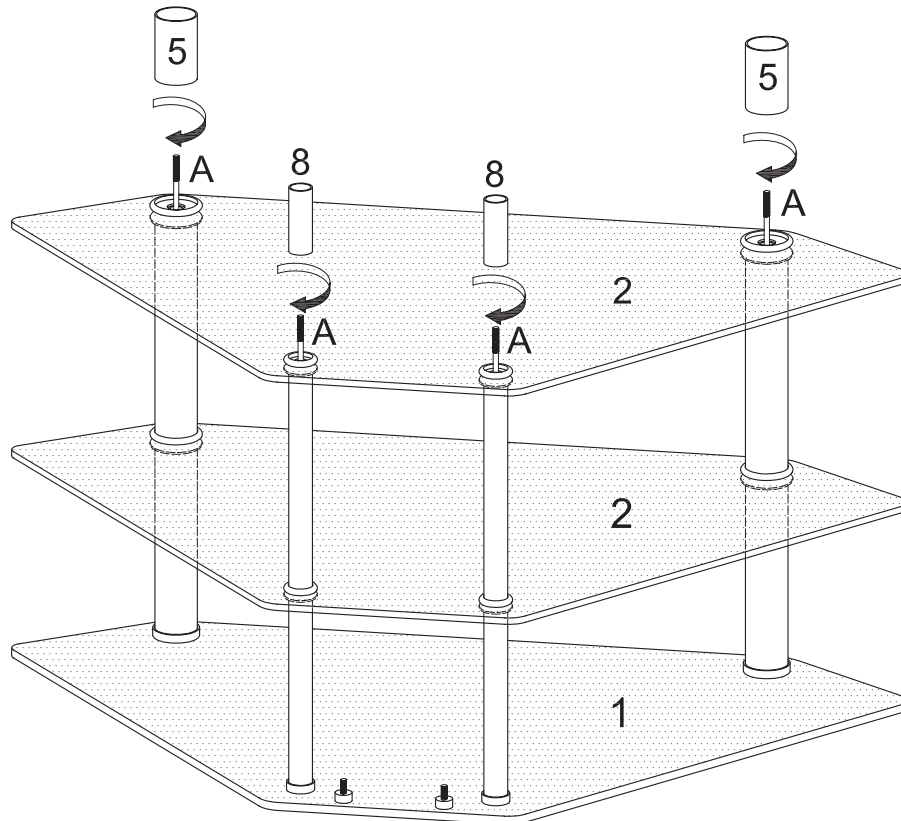
Slide cylinders (3) onto back long rods (A). Slide large decorative rings (D) onto back long rods (A) and snap onto cylinders (3). Slide cylinders (6) onto front long rods (A). Slide small decorative rings (E) onto front long rods (A) and snap onto cylinders (6). *Cylinders (3,6) will fit snugly into the decorative rings placed in the previous step.*

Step 5



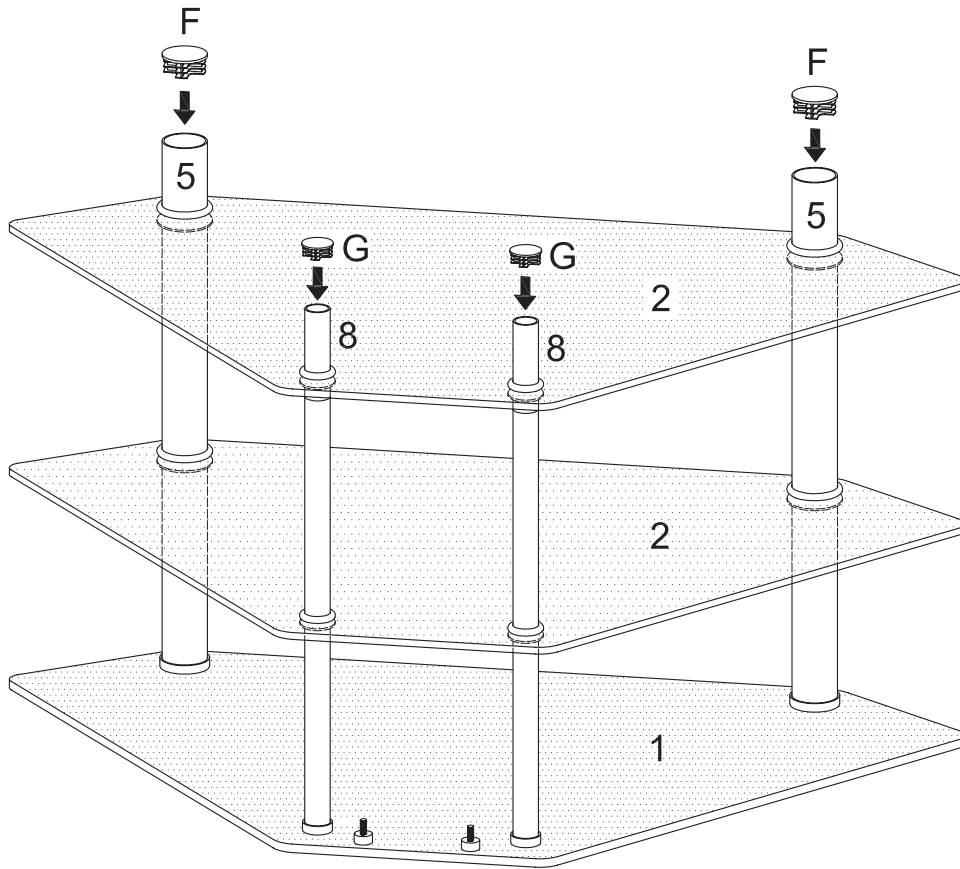
Carefully slide glass (2) into place using long rods (A) as guides. Slide large decorative rings (D) onto back long rods (A). Slide small decorative rings (E) onto front long rods (A).

Step 6



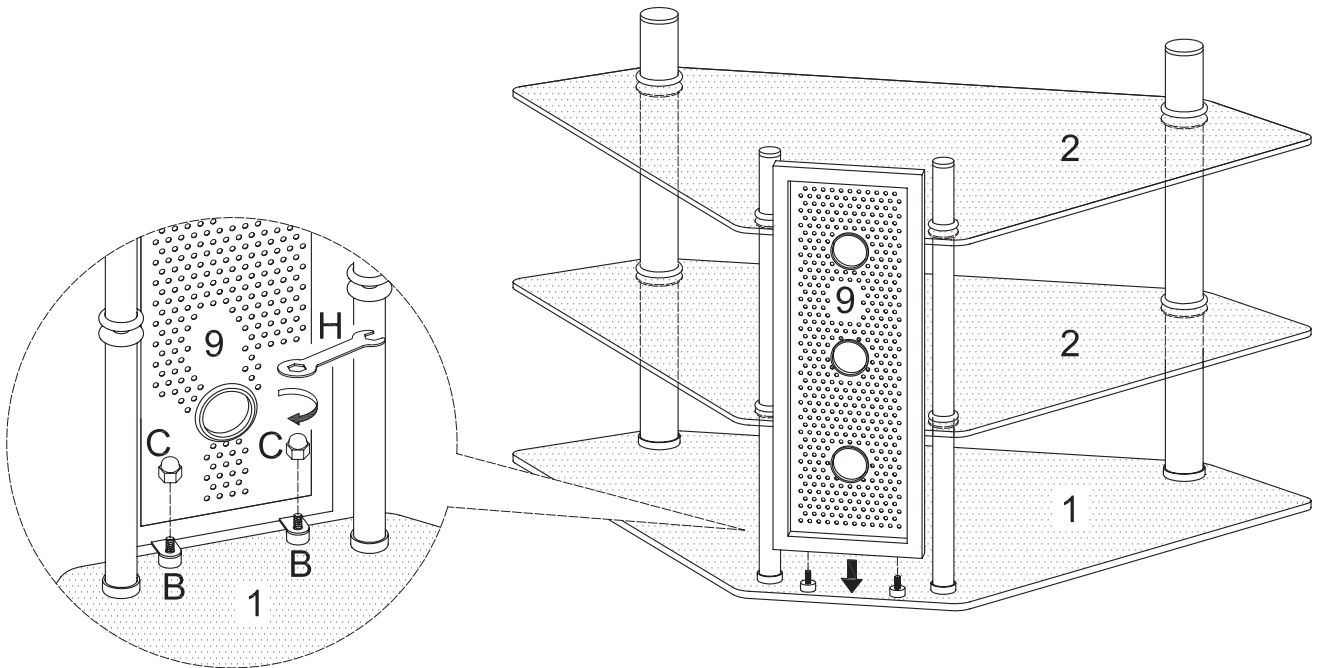
Screw cylinders (5) onto back long rods (A). Screw cylinders (8) onto front long rods (A). *Cylinders (5,8) will fit snugly into the decorative rings placed in the previous step.*

Step 7



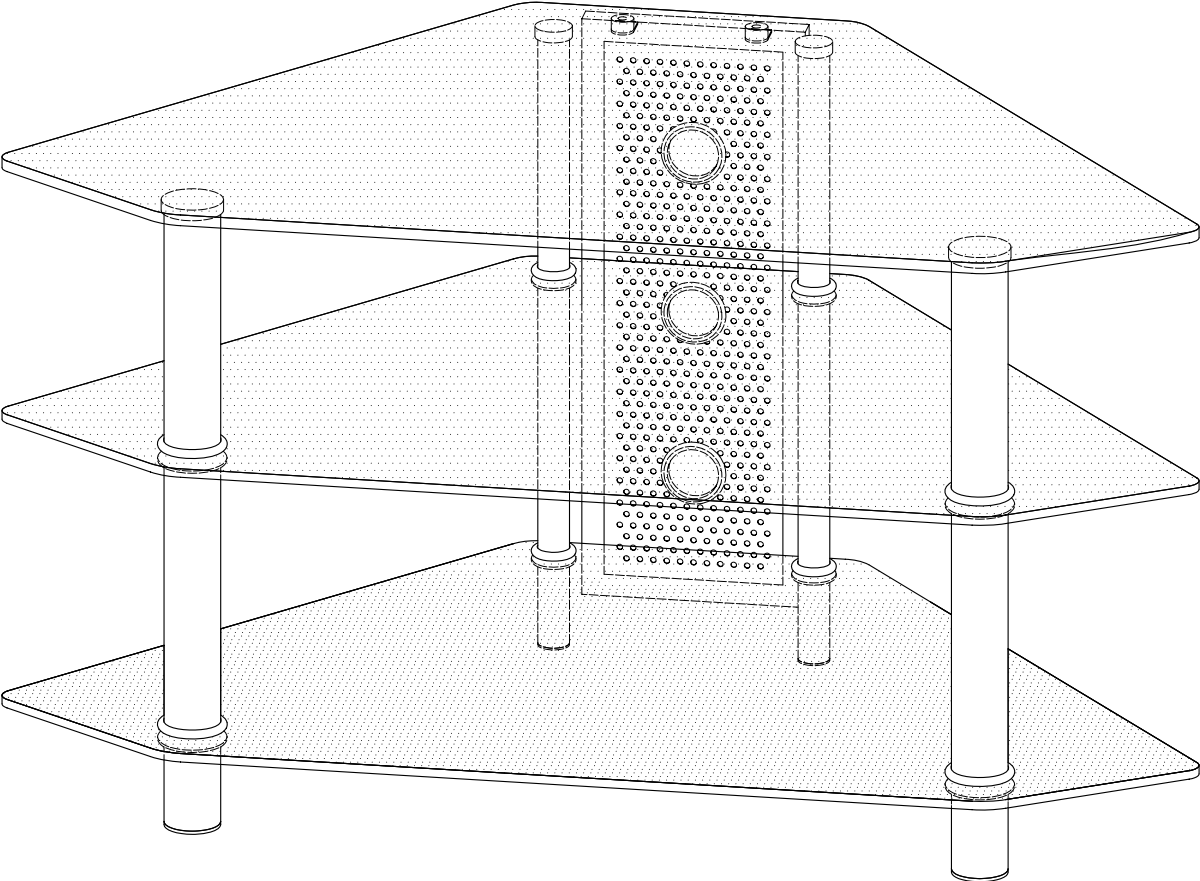
Insert large caps (F) into cylinders (5) and small caps (G) into cylinders (8). *Note that caps (F,G) may come pre-inserted into cylinders (5,8).*

Step 8



To attach cable management system (9) to the stand, place appropriate holes of cable management system (9) over short rods (B). Screw cap nuts (C) onto short rods (B) and tighten with wrench (H).

Step 9



Final Assembly