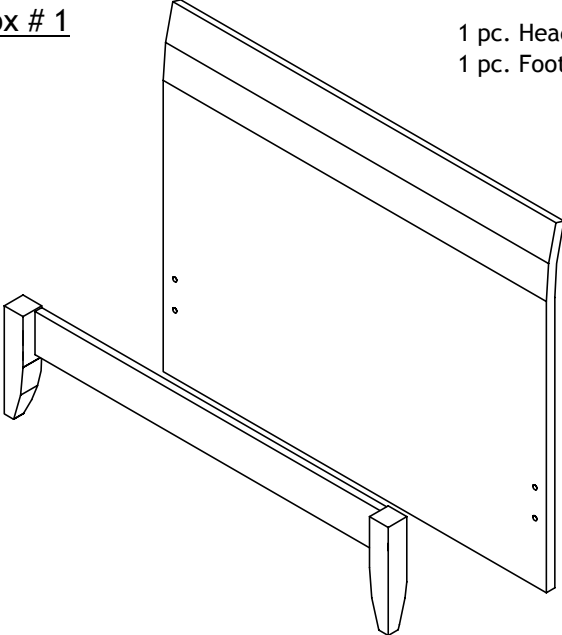
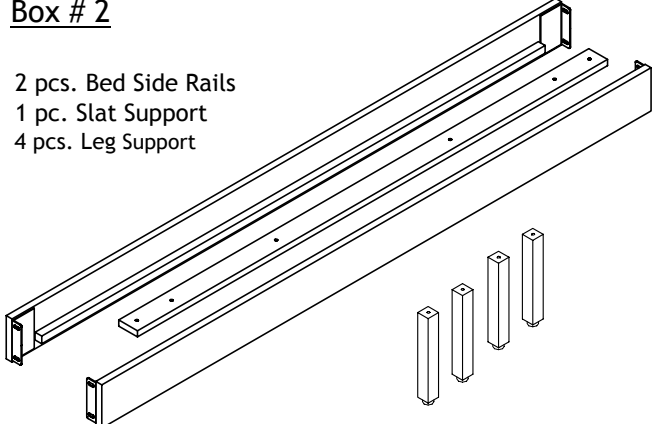
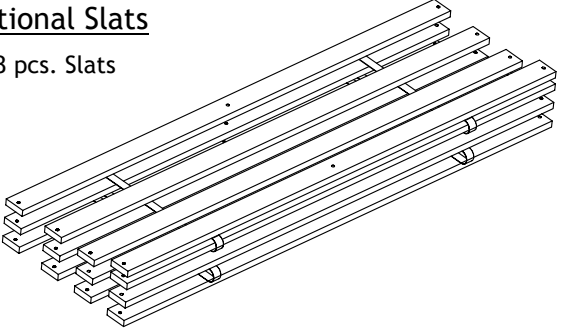
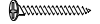
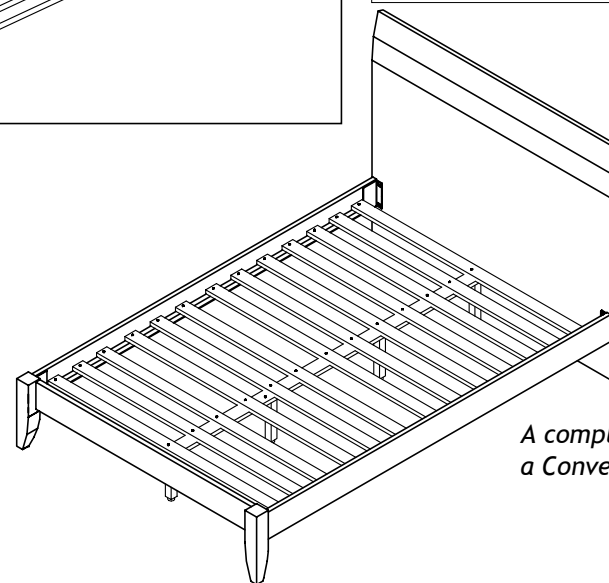


Bed Assembly Instructions

Parts And Fittings Packing Detail

<p>Box # 1</p>  <p>1 pc. Head Board 1 pc. Foot Board</p>	<p>Box # 2</p>  <p>2 pcs. Bed Side Rails 1 pc. Slat Support 4 pcs. Leg Support</p>	<p>Hardware Pack in Box #1</p> <table border="0"> <tr> <td>Bolt M8 x 45mm - 4 pcs</td> <td>Bolt M8 x 20mm - 4 pcs</td> </tr> <tr> <td>Washer - 12 pcs.</td> <td>Nuts - 4 pcs.</td> </tr> <tr> <td>Bolts M6 x 70mm - 4 pcs.</td> <td>4mm Allen Key 1 pc.</td> </tr> <tr> <td>M4 x 32mm Wood Screw - 8pcs.</td> <td>5mm Allen Key 1 pc.</td> </tr> <tr> <td></td> <td>Wrench -1 pc.</td> </tr> </table>	Bolt M8 x 45mm - 4 pcs	Bolt M8 x 20mm - 4 pcs	Washer - 12 pcs.	Nuts - 4 pcs.	Bolts M6 x 70mm - 4 pcs.	4mm Allen Key 1 pc.	M4 x 32mm Wood Screw - 8pcs.	5mm Allen Key 1 pc.		Wrench -1 pc.
Bolt M8 x 45mm - 4 pcs	Bolt M8 x 20mm - 4 pcs											
Washer - 12 pcs.	Nuts - 4 pcs.											
Bolts M6 x 70mm - 4 pcs.	4mm Allen Key 1 pc.											
M4 x 32mm Wood Screw - 8pcs.	5mm Allen Key 1 pc.											
	Wrench -1 pc.											
<p>Optional Slats</p>  <p>13 pcs. Slats</p>		<p>Slat Hardware</p> <p>32mm Screw - 20pcs. (Wrapped in separate plastic bag)</p> 										

RETRO BED



A complete assembled view of a Conventional Bed

Bed Assembly Instructions

Step 1/Diagram 1

Fix both side rails to the Head Board and Foot Board as shown in diagram 1 with the 20mm and 45mm bolts and washers.

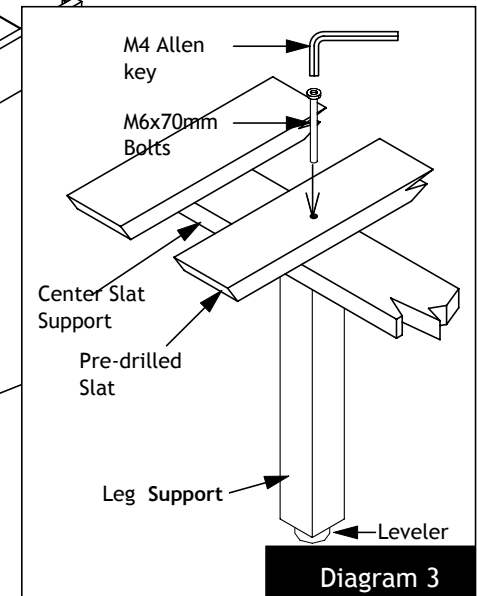
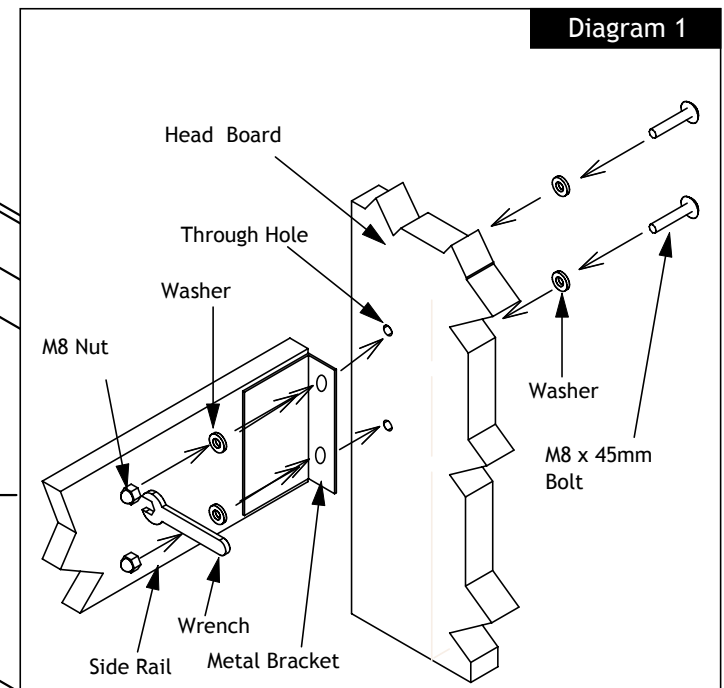
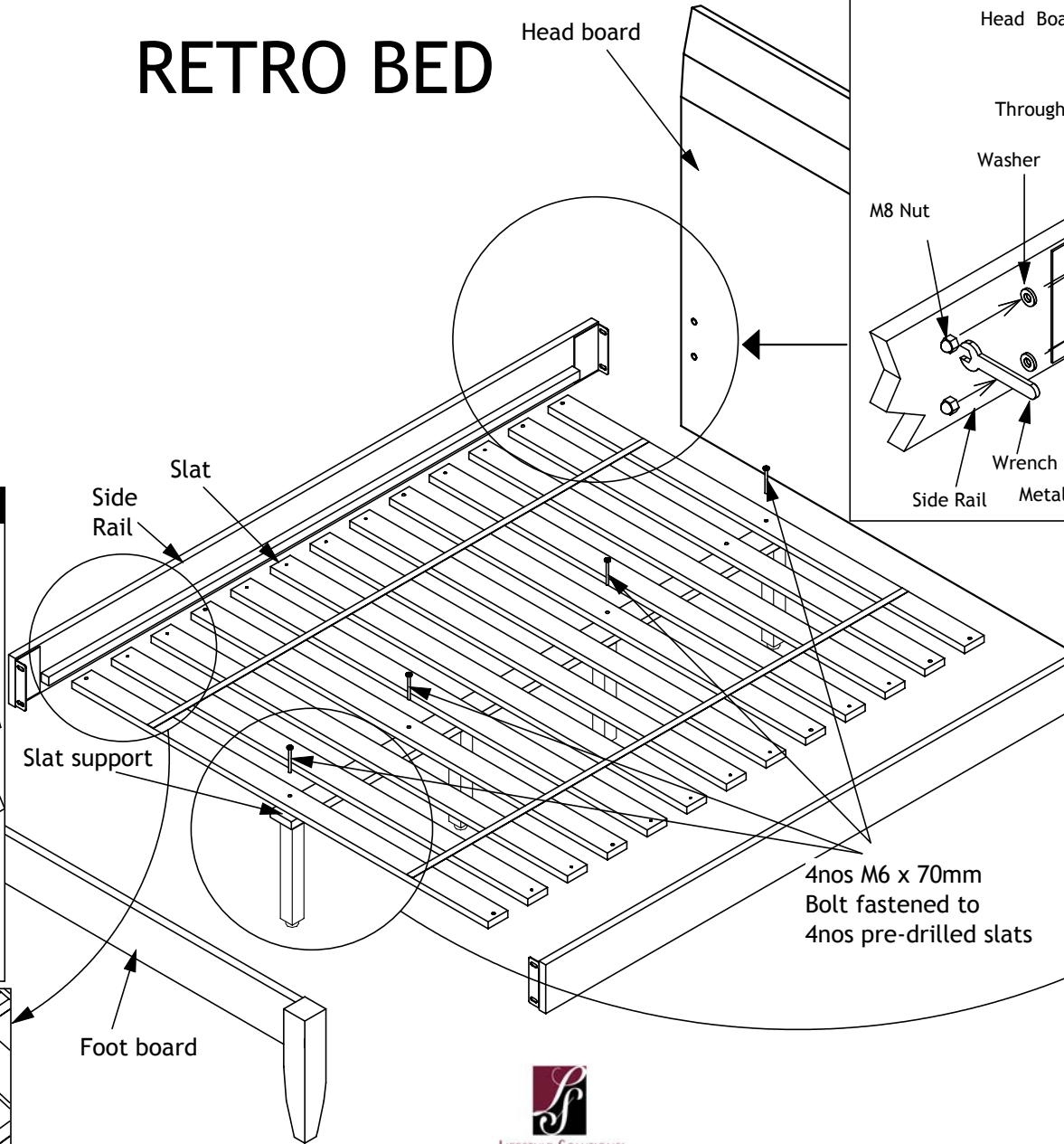
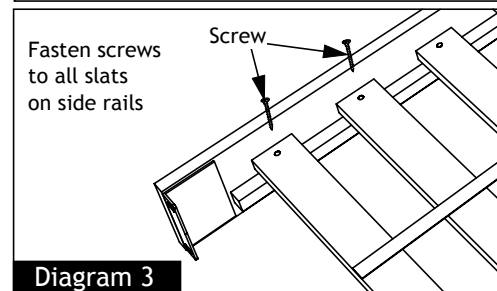
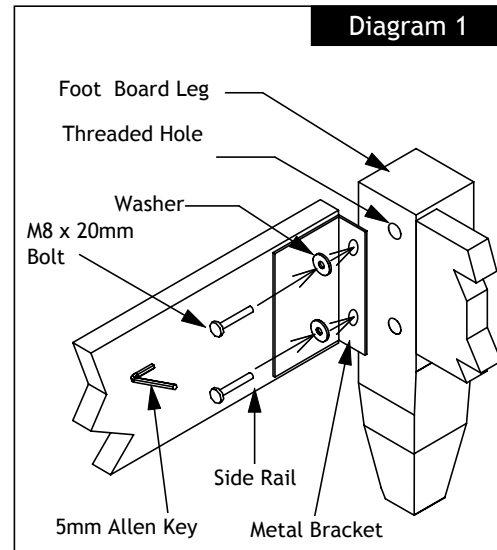
Step 2/Diagram 2

Further secure the pre-drilled slats to the slats support and support legs with 4nos M6 x 70mm bolt as shown in diagram 2.

Step 3/Diagram 3

Finally, place both ends of the assembled slats in the bed frame resting on both sides of the side rails and screw them in place with the 32mm screws provided as shown in diagram 3.

RETRO BED



The Fusion Of Function And Comfort With Style

234 Series Casegood

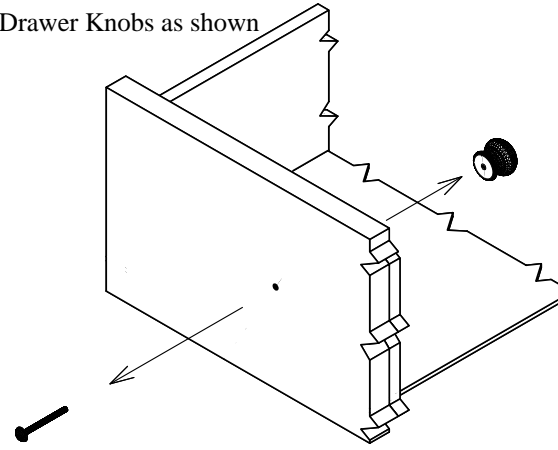
Assembly of Metal Drawer Knobs.

To replace Wood knobs with the Metal knobs, remove the Wood knobs and assemble the Metal knobs with the bolts provided along with the Metal knobs.

(Do not use Bolts from the Wood knobs on Metal knobs.)

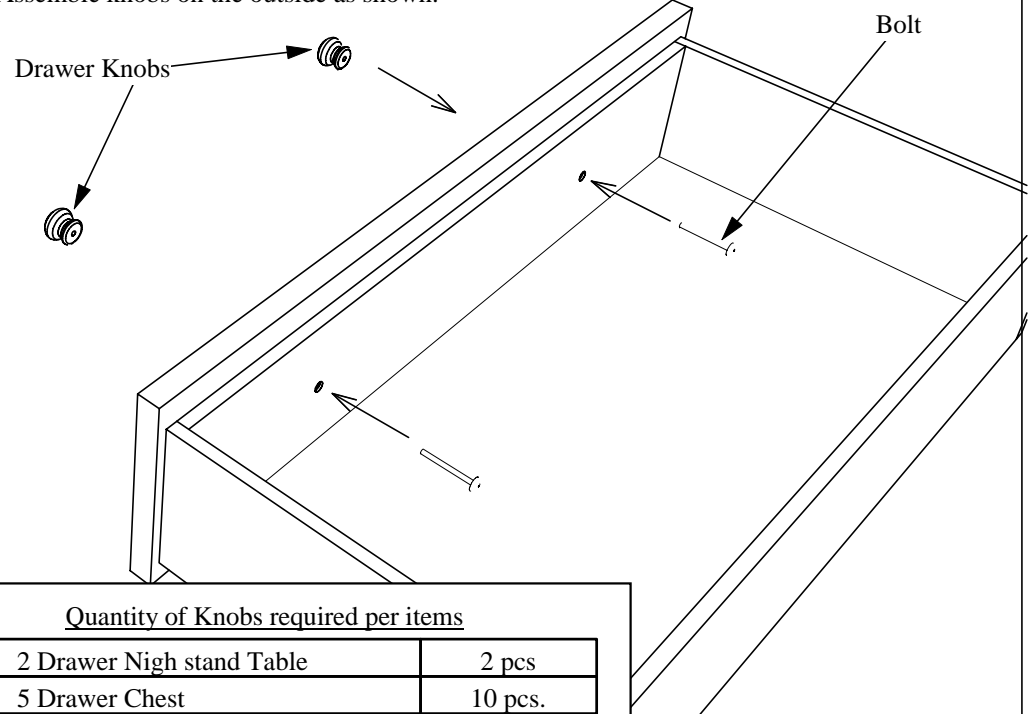
Step #1

Remove Drawer Knobs as shown



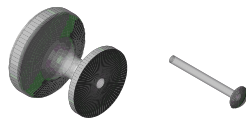
Step #2

Assemble knobs on the outside as shown.



Quantity of Knobs required per items

2 Drawer Nigh stand Table	2 pcs
5 Drawer Chest	10 pcs.
6 Drawer Dresser	12 pcs.
TV Base	2 pcs.



Metal Knobs

Bolt



LIFESTYLE SOLUTIONS

The Fusion of Function and Comfort with Style

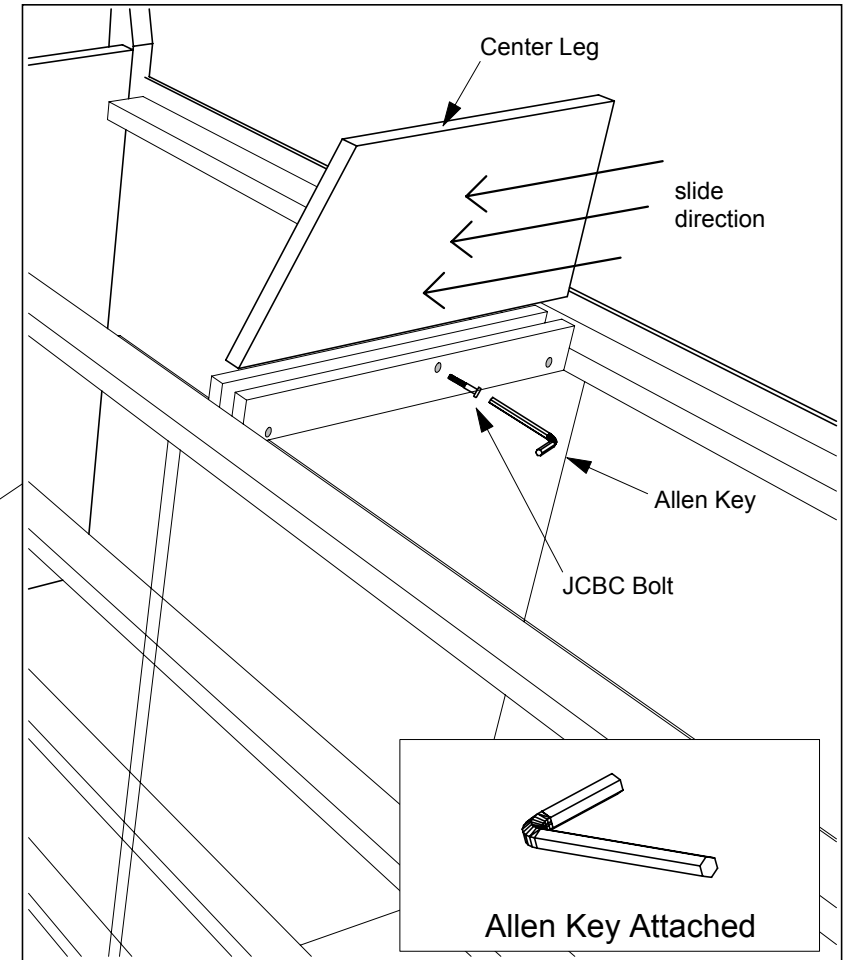
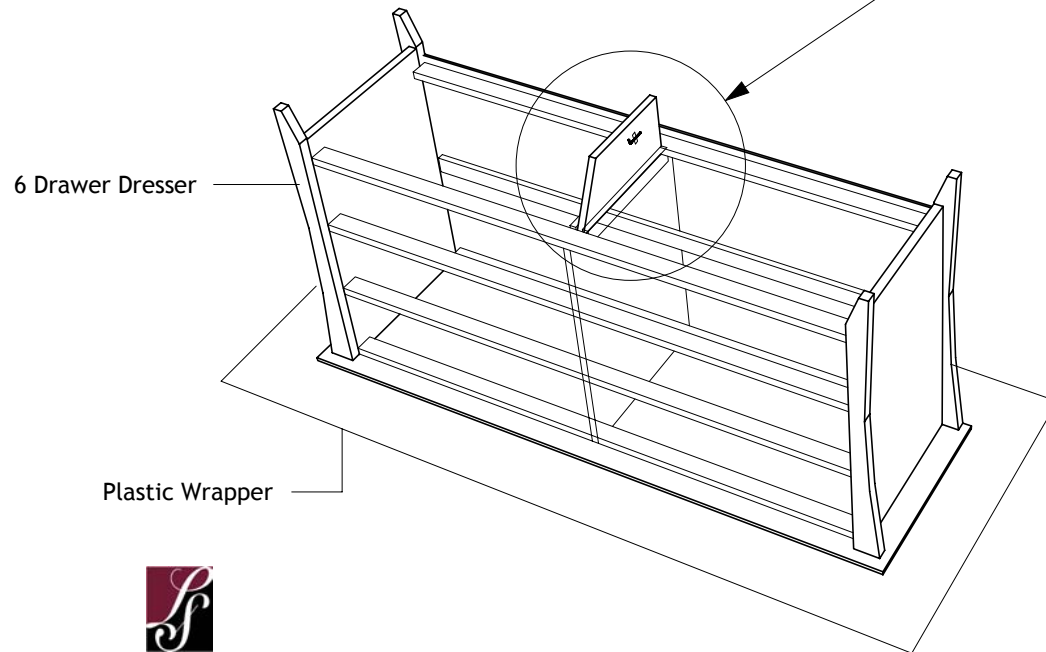
134/ 234/ 334/600 Series 6 Drawer Dresser

Removing of Center Leg

The center Leg is added for additional support. It is an optional extra. You may remove it if you wish, The following steps will assist you in doing this

STEP 1

First, turn the Dresser upside down as shown on a clean smooth surface to avoid any scratches



STEP 2

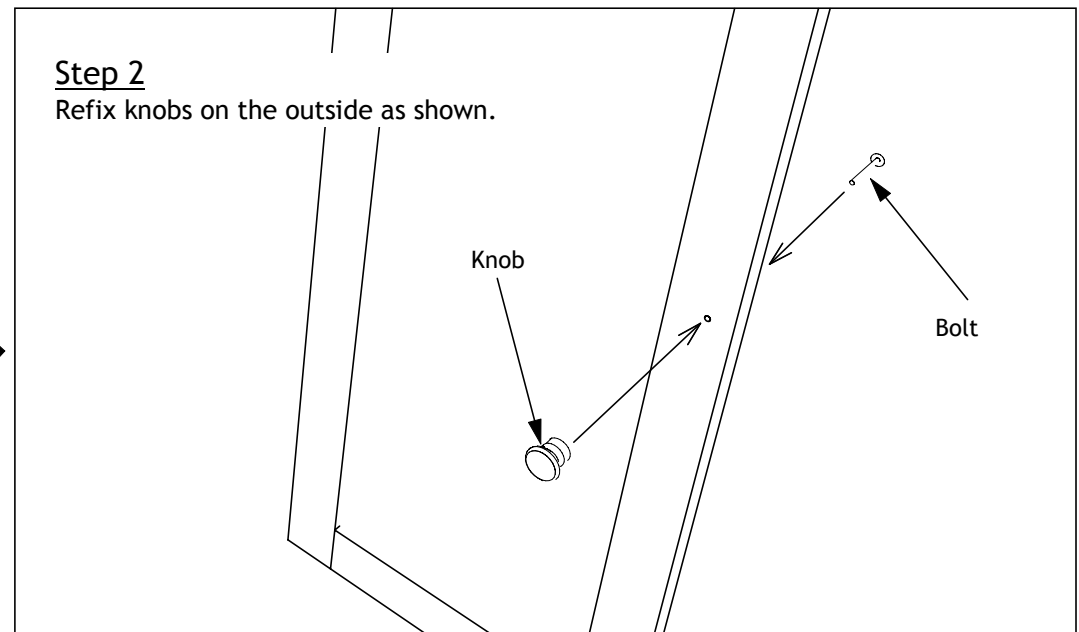
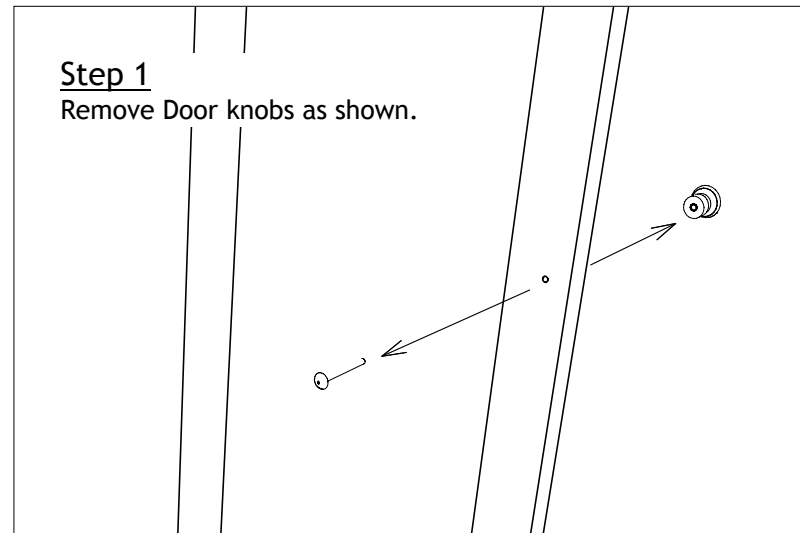
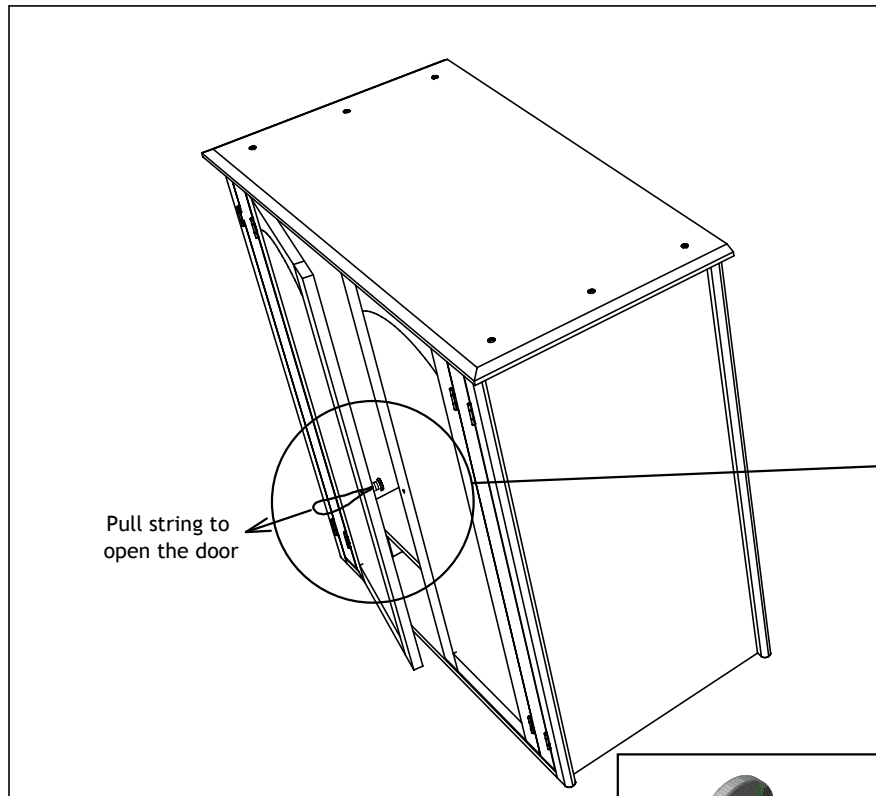
Remove the JCBC bolt from the cleat as shown by using the Allen key provided. Then slide the support leg in the direction shown above.



234 Series Casegood **Fixing of Metal Door Knobs.**

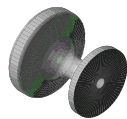
To replace wood knobs with the metal knobs, remove the wood knobs and assemble/fix the metal knobs with the bolts provided with the metal knobs.

(DO NOT USE bolts from the wood knobs on metal knobs)



LIFESTYLE SOLUTIONS

The Fusion of Function and Comfort with Style



Metal Knobs-2 pcs



Bolt-2 pcs

