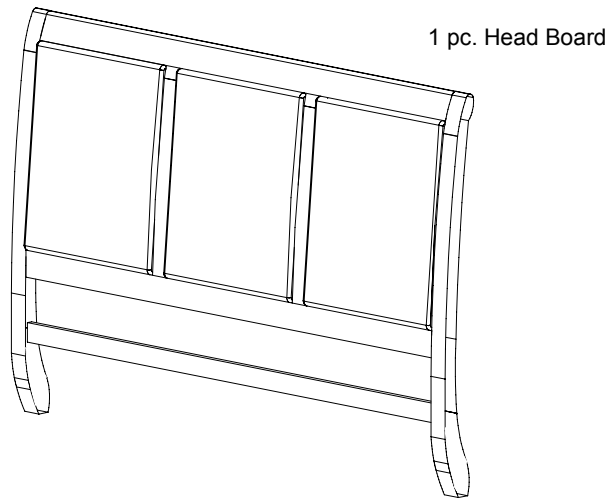


Bed Assembly Instructions

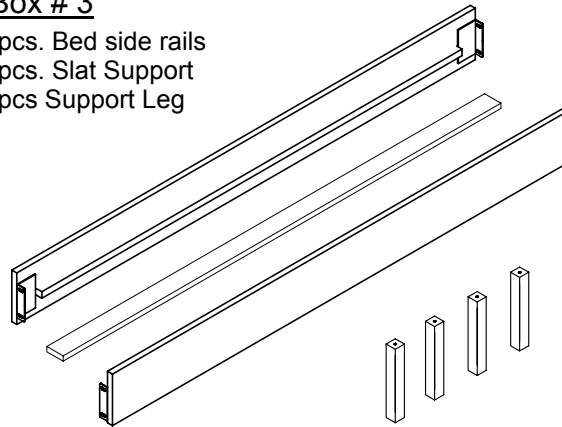
Parts And Fittings Packing Detail

Box # 1

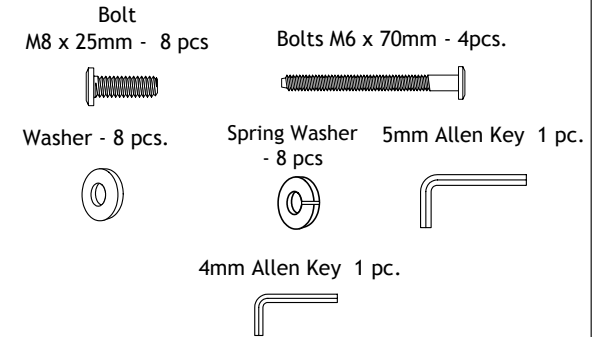


Box # 3

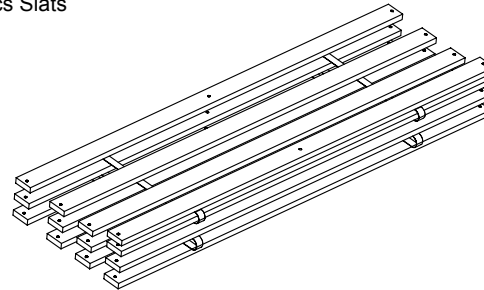
2 pcs. Bed side rails
1 pcs. Slat Support
4 pcs Support Leg



Hardware Pack In Box #1

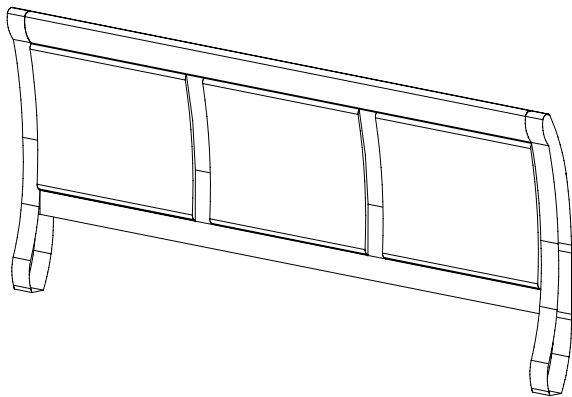


Parts (Slats Box) - 13 pcs Slats



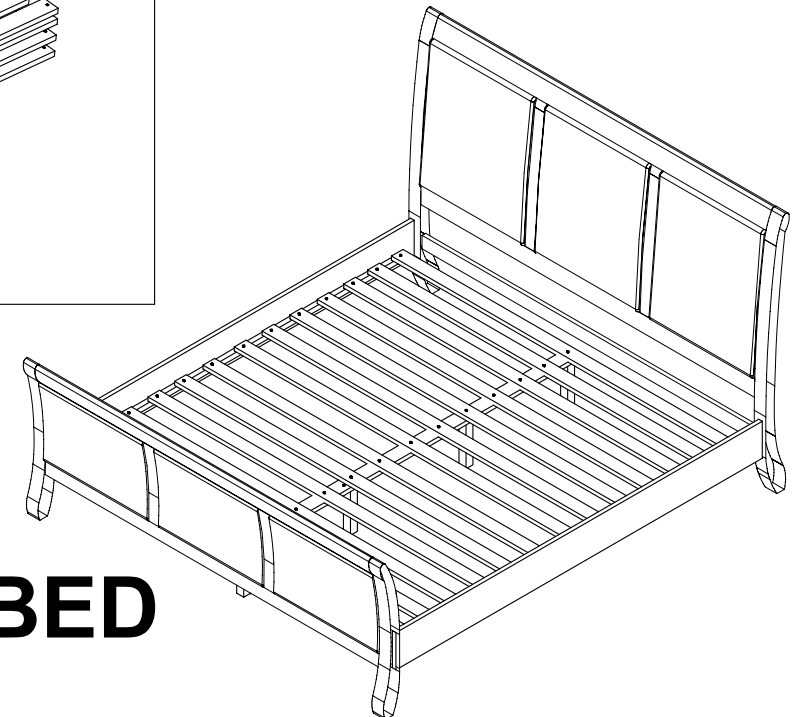
Box # 2

1 pc. Foot Board



Slat Hardware
32mm Screw - 26pcs.
(Wrapped in separate plastic bag)

*A complete assembled view of
a Conventional Bed*



LIFESTYLE SOLUTIONS™

The Fusion Of Function And Comfort With Style

PROVIDENCE BED

Bed Assembly Instructions

PROVIDENCE BED

Page 2 of 2

Step 1/Diagram 1

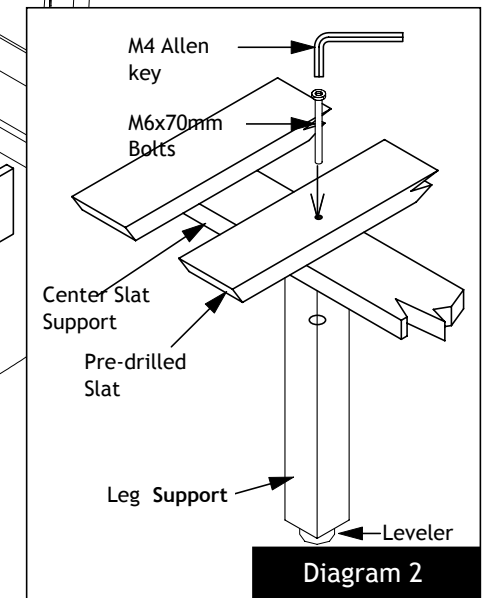
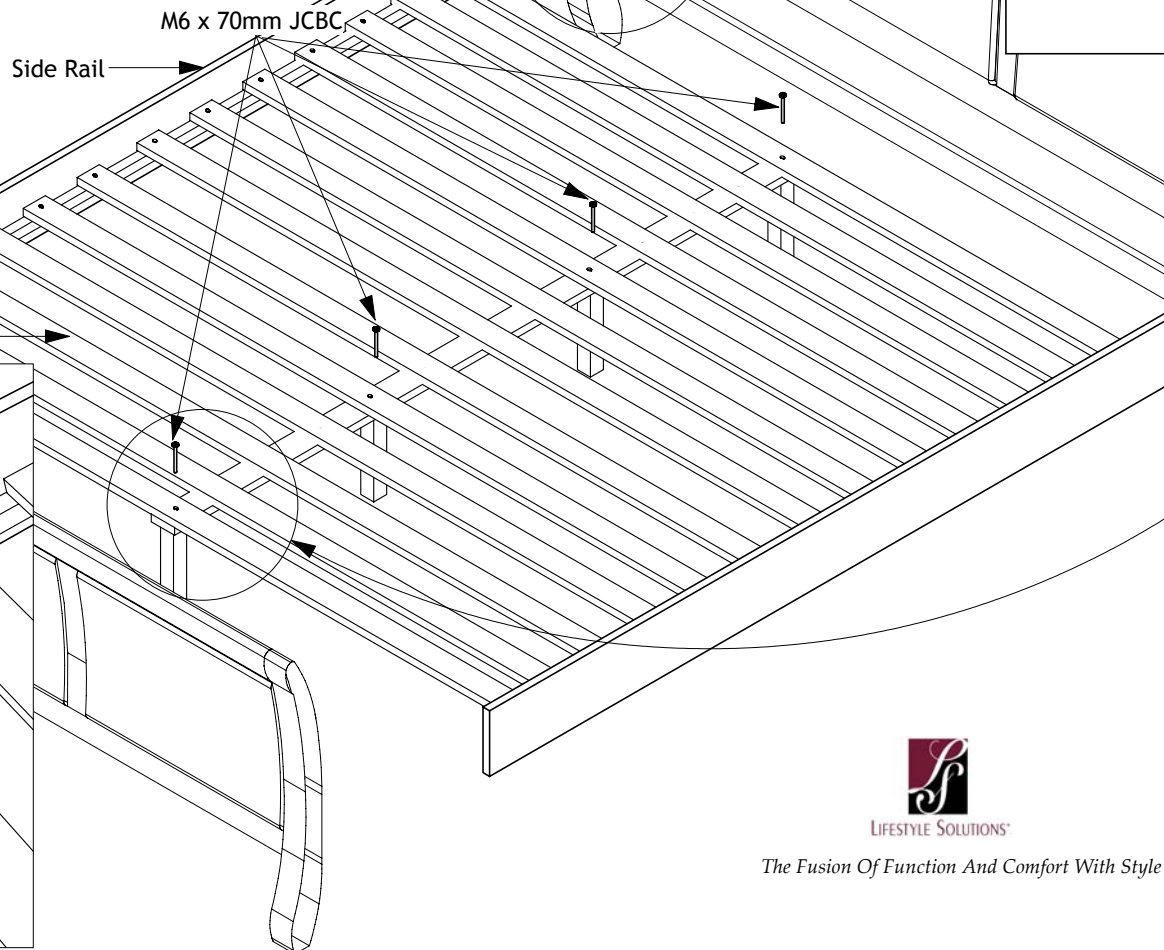
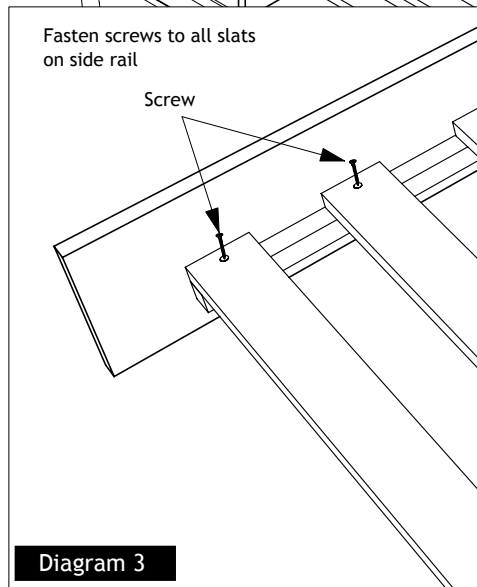
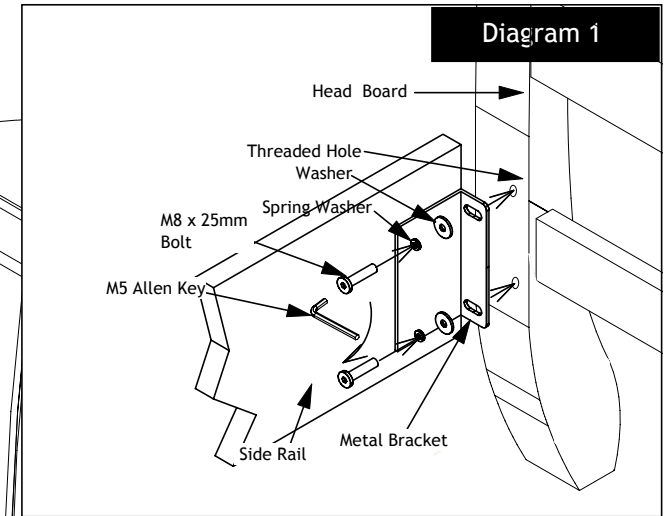
Fix both side rails to the Head Board and Foot Board as shown in diagram 1 with the 25mm bolts, spring washers and washers.

Step 2/Diagram 2

Spread out all the slats on to the slat support. Further secure the pre-drilled slats to the slats support and support legs with 4nos M6 x 70mm bolt as shown in diagram 2.

Step 3/Diagram 3

Finally, place both ends of the assembled slats in the bed frame resting on both sides of the side rails and screw them in place with the 32mm screws provided as shown in diagram 3.

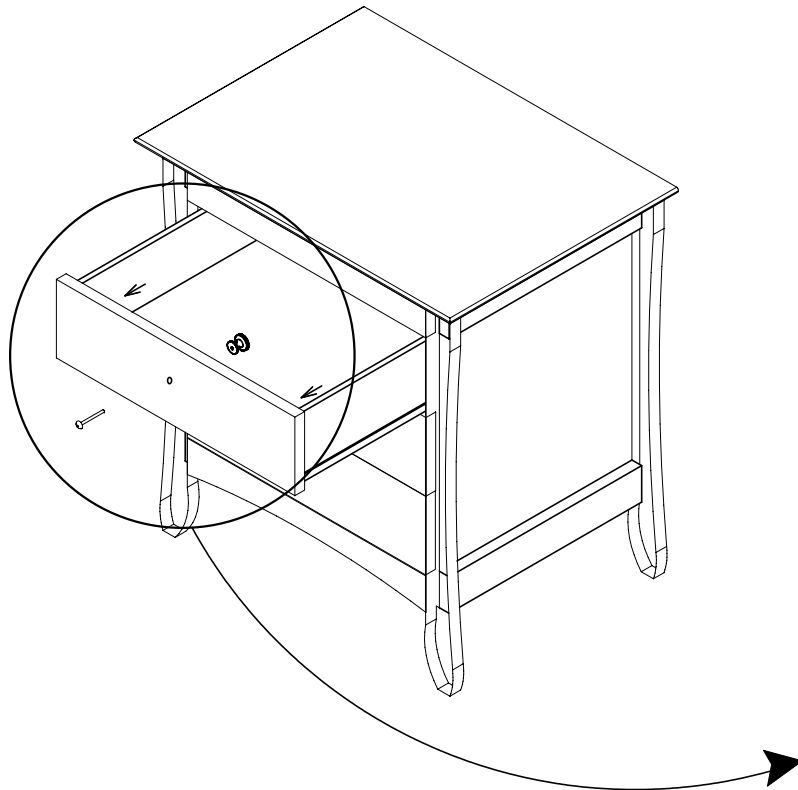


LIFESTYLE SOLUTIONS

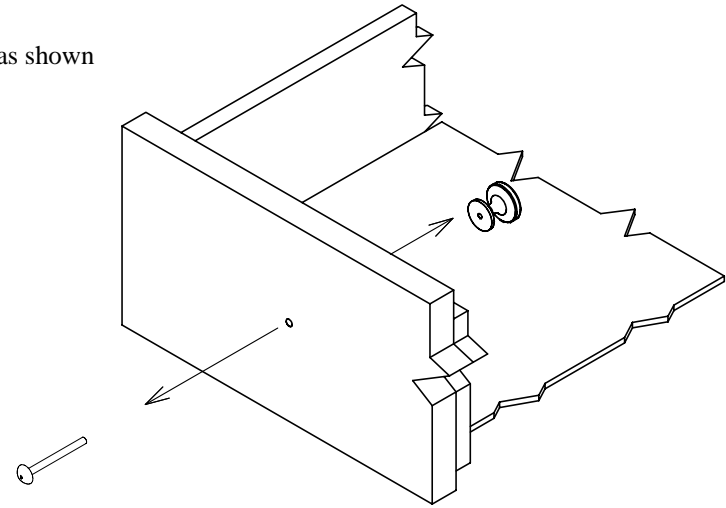
The Fusion Of Function And Comfort With Style

370V / 380P Casegood Fixing of Drawer Knobs .

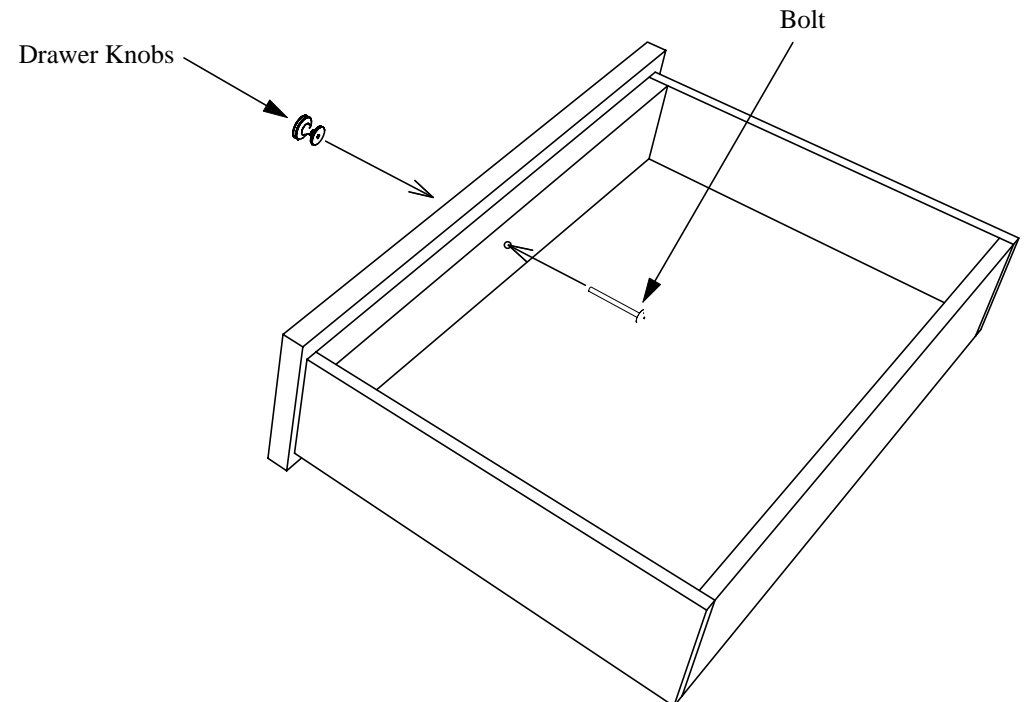
The Drawer Handles are fixed inside the Drawers to reduce transportation related damages.
You'll need to remove and fix it onto the correct orientation.



Step #1
Remove Drawer Knobs as shown



Step #2
Refix Knobs on outside as shown.



LIFESTYLE SOLUTIONS
The Fusion Of Function And Comfort With Style

*For illustration purposes only.

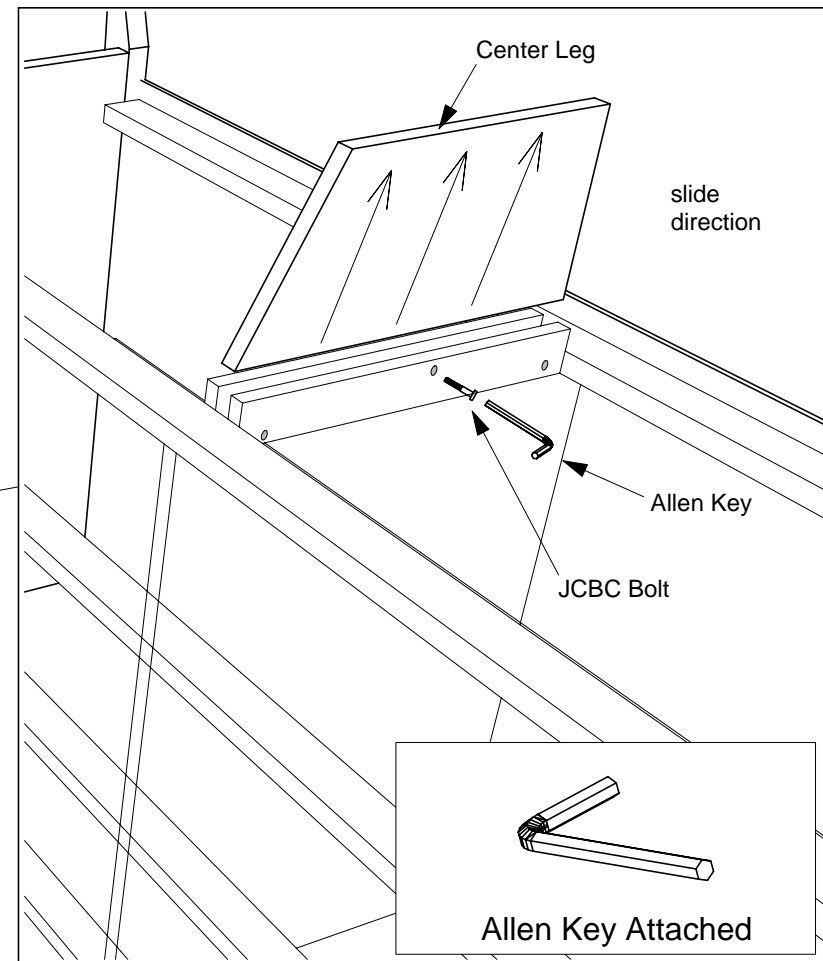
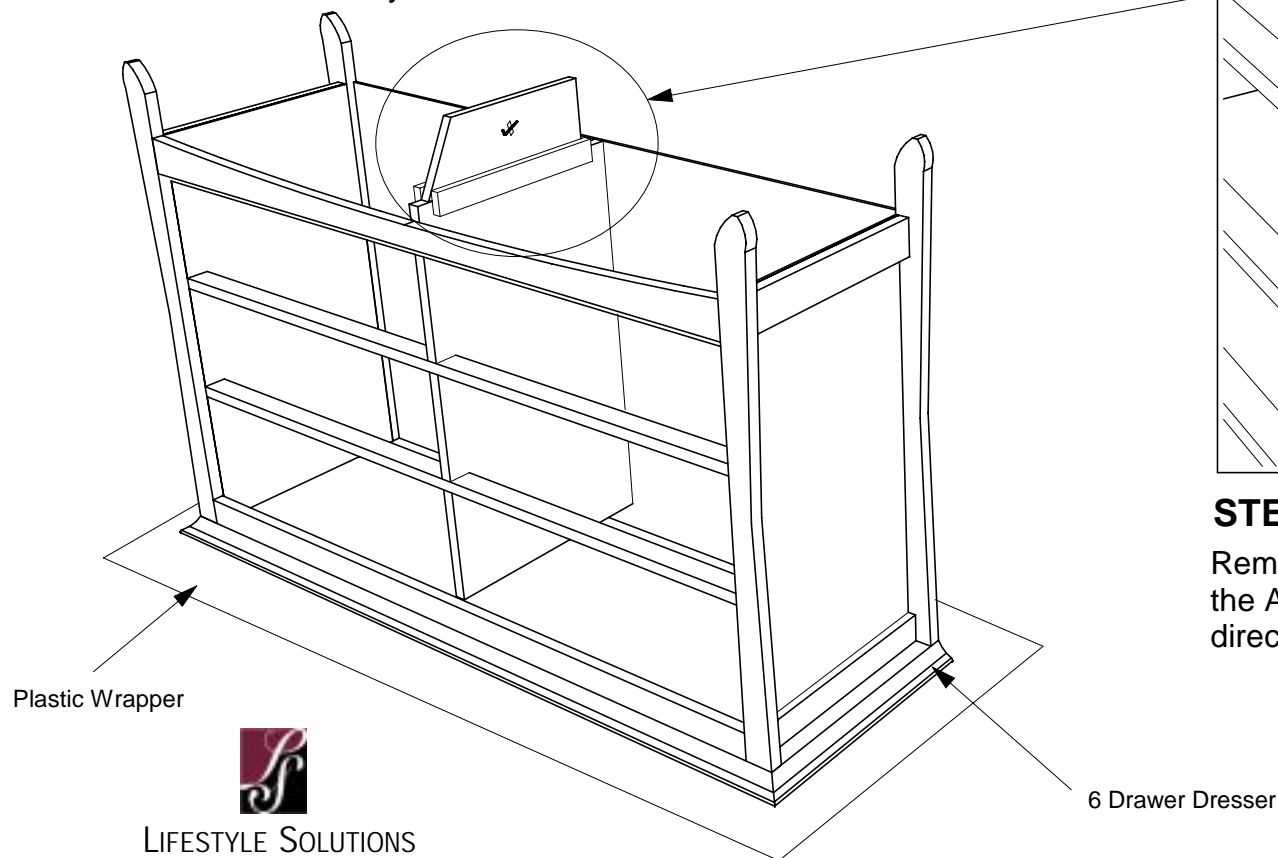
370V / 380P 6 Drawer Dresser

Removing of Center Leg

The center leg is added for additional support. You may remove it if you wish. The following steps will assist you in doing this.

STEP 1

First, turn the Dresser upside down as shown on a clean smooth surface to avoid any scratches



STEP 2

Remove the JCBC bolt from the cleat as shown by using the Allen key provided. Then slide the support leg in the direction shown above.

370V / 380P Mirror Frame Assembly Instructions

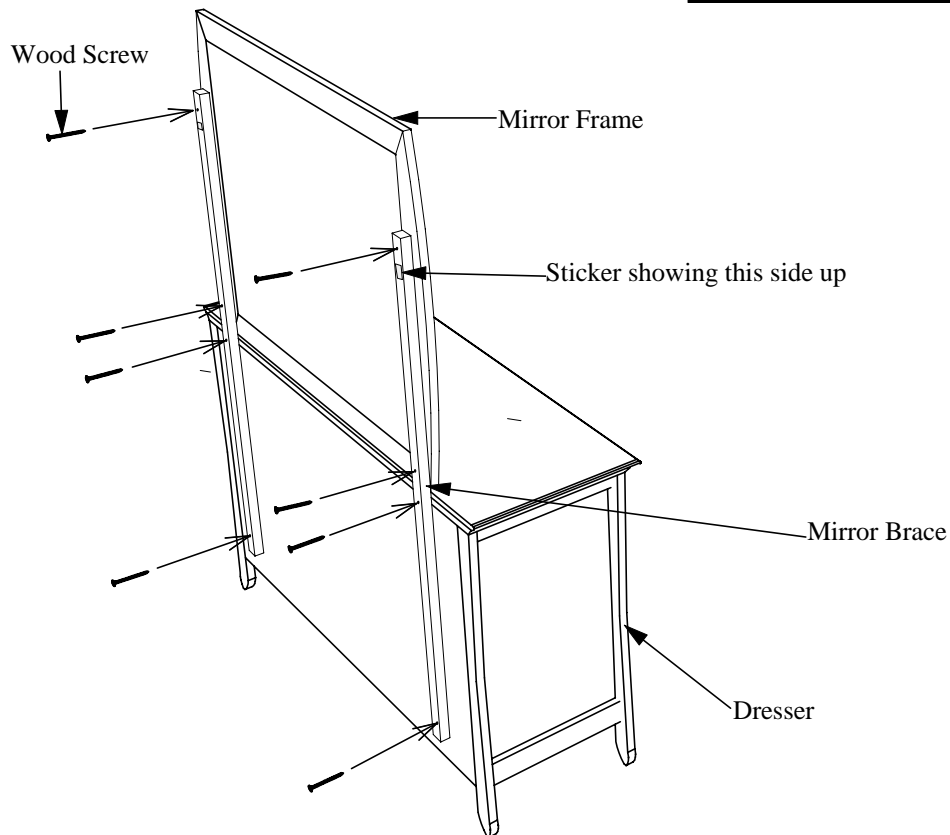


LIFESTYLE SOLUTIONS
The Fusion Of Function And Comfort With Style

Note : Mirror can either be attached to the dresser (Method A) or hang on the wall (Method B).

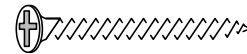
Fixing Mirror Frame onto the Dresser

(METHOD A)



*For illustration purposes only.

Hardwares

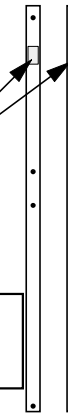


Wood Screw - 8 pcs.

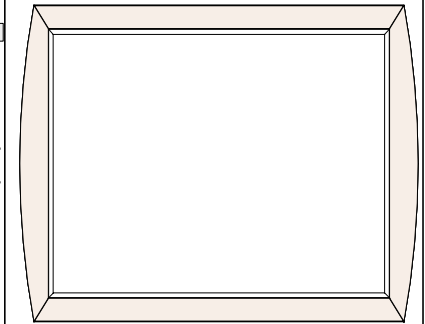
Parts

Sticker showing this side up

Mirror Brace



Mirror Frame



Mirror Brace is packed in the 6 Drawer Dresser box

Please remove the hooks that are attached on the mirror if you want to change the hanging position from potrait to landscape. To change hook position, use predrilled holes as shown below.

(METHOD B)

Use Philips screw driver to remove hook and reattach accordingly.

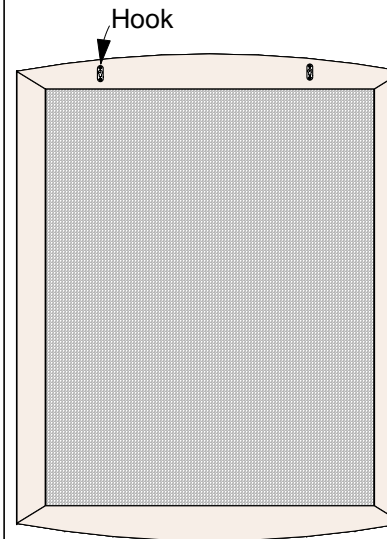
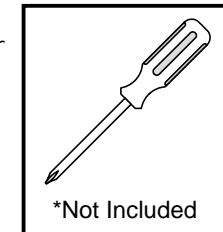


Fig. 1 : Potrait Position

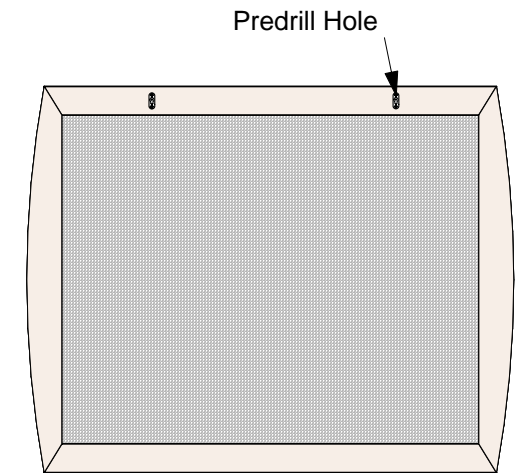


Fig. 2 : Landscape Position

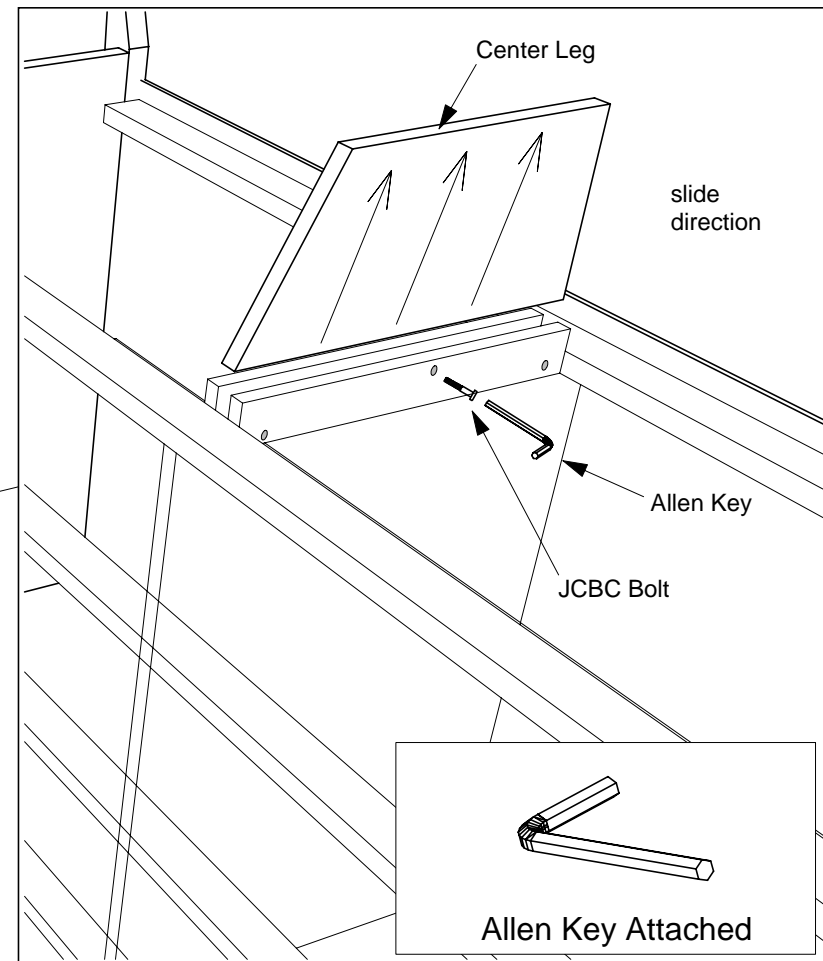
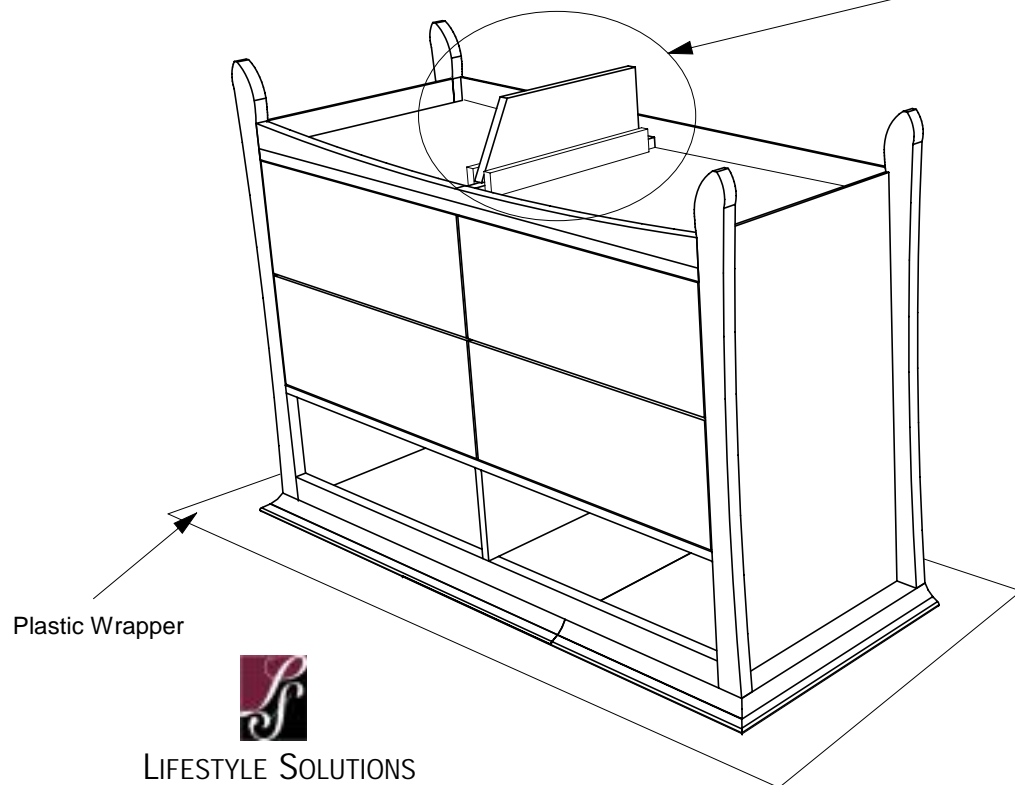
370V / 380P 4 Drawer Media Console

Removing of Center Leg

The center leg is added for additional support. You may remove it if you wish. The following steps will assist you in doing this.

STEP 1

First, turn the Dresser upside down as shown on a clean smooth surface to avoid any scratches



STEP 2

Remove the JCBC bolt from the cleat as shown by using the Allen key provided. Then slide the support leg in the direction shown above.



LIFESTYLE SOLUTIONS
The Fusion Of Function And Comfort With Style