

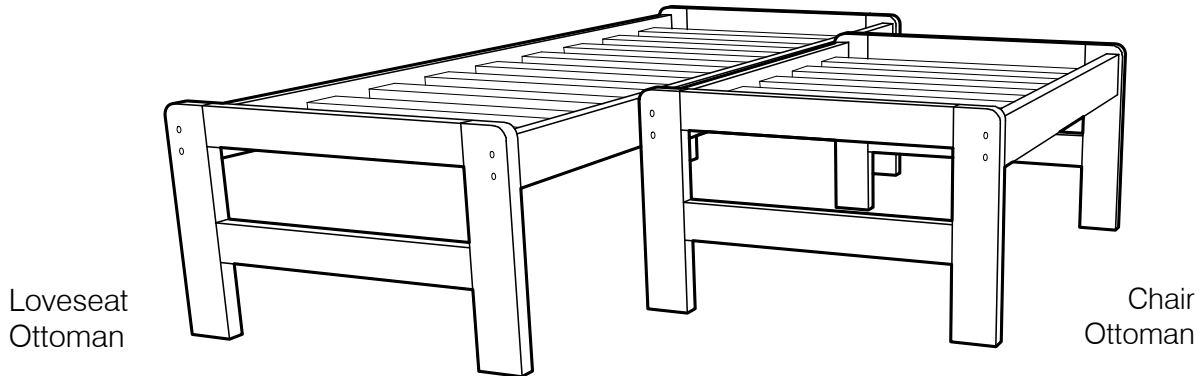
Assembly Instructions

FUTON ACCESSORIES OTTOMAN

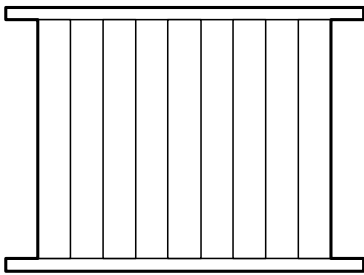
This instruction is for
Chair and Loveseat
size Ottoman.

1201-M

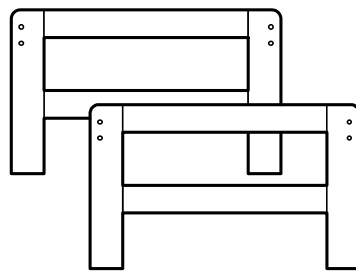
1 Assembled view



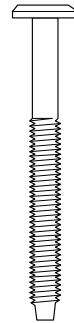
2 Parts in this box



Platform 1 Piece



Leg Frame 2 Pieces



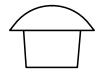
60mm Bolts
x 8 Pieces



Allen Key
x 1 Piece



Barrel Nuts
x 8 Pieces



Wood Buttons
x 8 Pieces

3 Assembly Procedure

1. Turn Ottoman Platform upside down as shown on diagram. Be sure that the Platform is laying on a flat smooth surface.
2. Attach Leg Frame to the Side rails using Bolts and Barrel nuts. - LEAVE BOLTS VERY LOOSE!
3. When all parts are assembled, gently tighten all the Bolts to secure all parts.
4. Finally, push or gently tap Wood Buttons into the Bolt Holes

Helpful Tips: Fastening of Bolts

- ✓ Check that all holes are free of wood chips and sawdust.
- ✓ A screwdriver will help in aligning the Barrel Nut hole with the Bolt.
- ✓ Screw the Bolt in gently to avoid stripping the threads.

