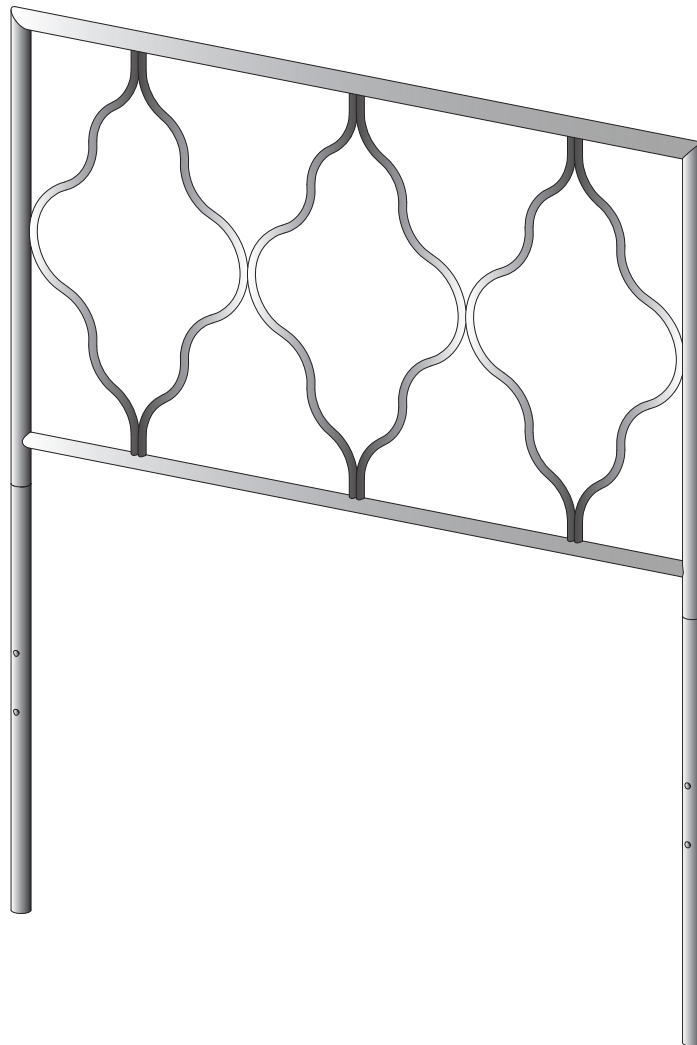


W Walker
E Edison
furniture company

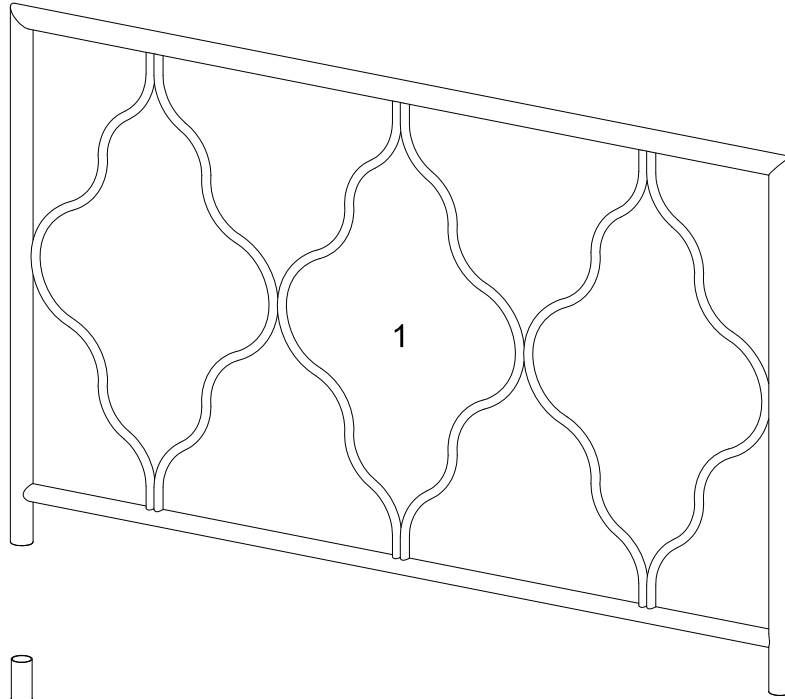
Item # : HBTMC3
Assembly Instructions





*To request missing, lost or broken parts,, or for any other customer service issues,
please visit our website at www.walkeredison.com or call us at 877-207-5906.*

Revised 07/2015

Parts List

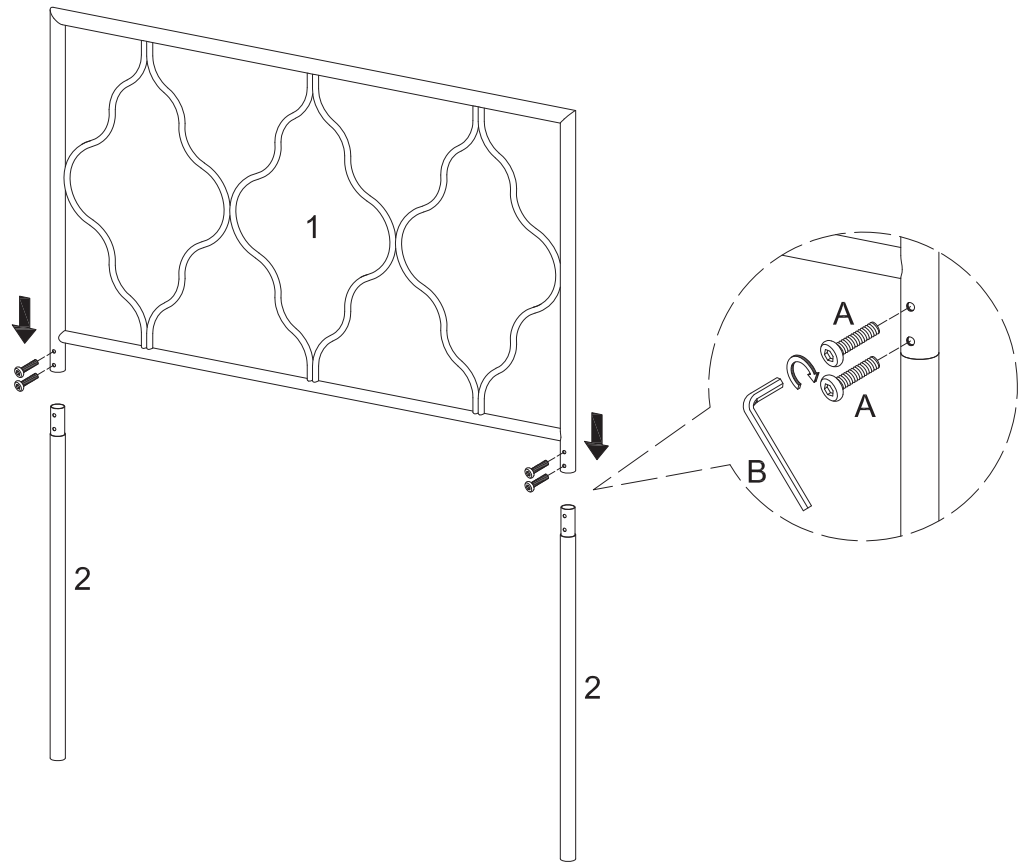


Hardware List

A		M6*15	Bolt	4 pcs
B		M4	Wrench	1 pc

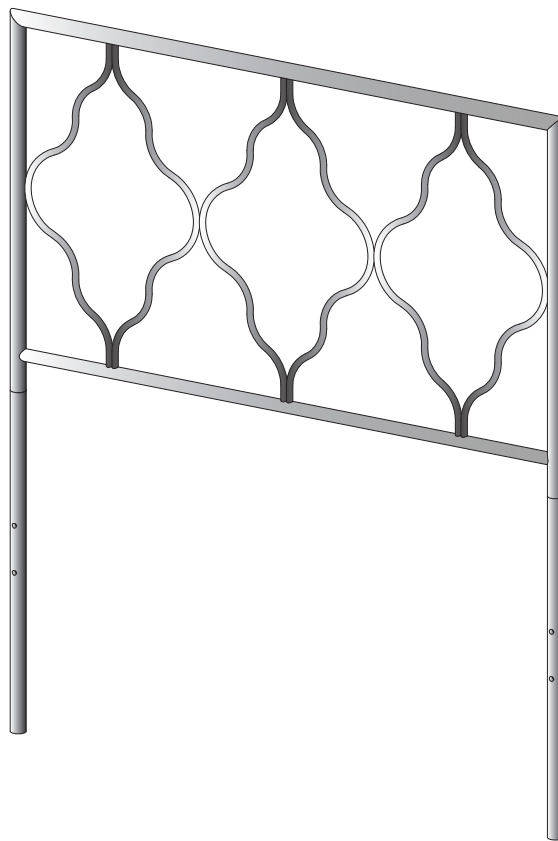
*The hardware quantities listed above are required for proper assembly.
Some extra hardware may also have been included.*

Step 1



Secure the Headboard (1) into the Legs (2) using bolts (A) and wrench (B) as shown in the diagram.

Step 2



Final Assembly