

Manufactured by



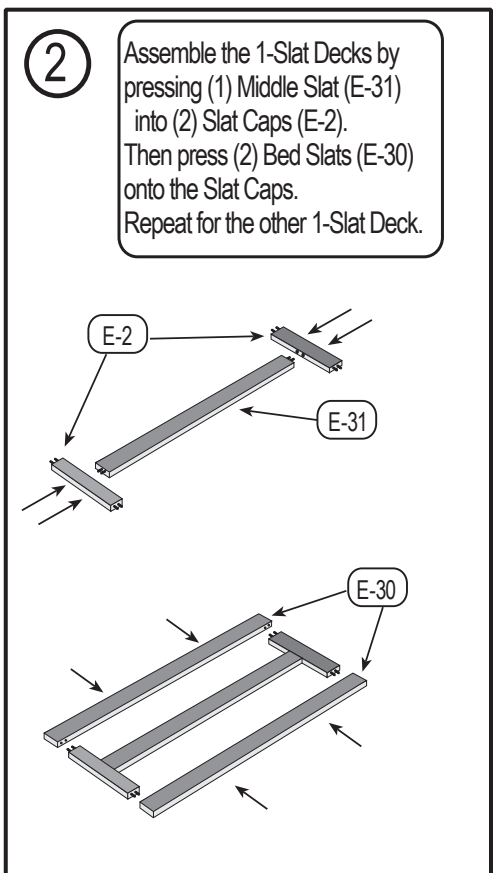
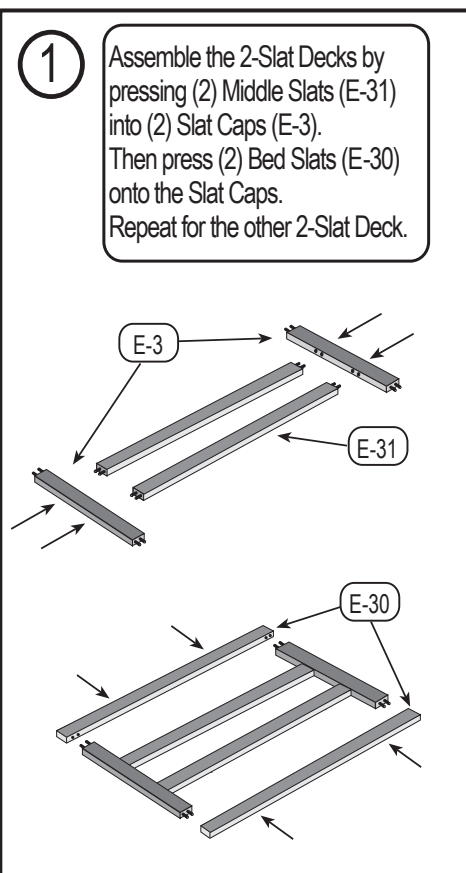
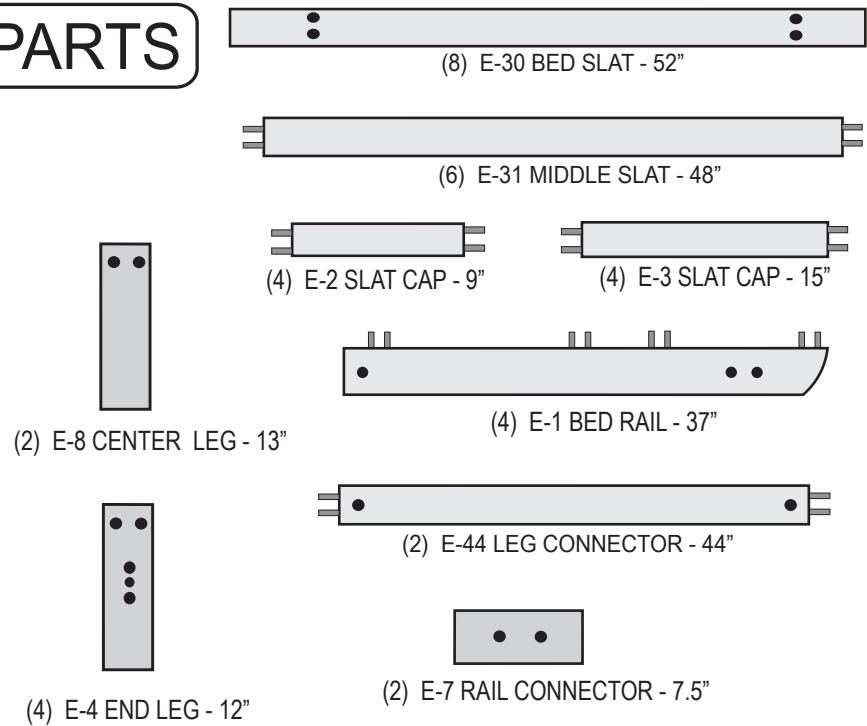
394 Dairy Pak Rd. • Athens, GA 30607
kdframes.com • alan@kdframes.com

Instructions for Ekko Bed Full

sku# 7912-EK-F

PARTS LIST			
E-1	BED RAIL	4	
E-7	RAIL CONNECTOR	2	
E-8	CENTER LEG	2	
E-4	END LEG	4	
E-30	BED SLAT	8	
E-31	MIDDLE SLAT	6	
E-2	9" SLAT CAP	4	
E-3	15" SLAT CAP	4	
E-44	LEG CONNECTOR	2	
H-8	2-1/4" CLEVIS PIN	8	
H-12	3-1/4" CLEVIS PIN	4	
H-5	HAIR PIN	12	
H-19	1 - 3/4" WOOD SCREW	16	
H-1	3" BOLT	4	
H-3	CROSS DOWELL	4	
H-10	"Z" WRENCH	1	

PARTS



This bed frame is made with Tulip Poplar. Any green tint in the wood will change to light brown in a few weeks. This will happen in 20 to 30 minutes if placed in direct sunlight. Tulip Poplar can be left unfinished, clear finished, stained, or painted. I prefer the lighter stains over the darker ones because the wood is fairly porous. My favorite is a clear finish with no stain. Satin polyurethane (oil or water based) works well.

Painting: It is best to start with an interior primer and lightly sand before painting.

Staining: Lightly sand before staining. Wipe stain on with a rag until you get the desired color. If you are going to use a top coat (such as polyurethane), do not sand again until after the first coat, and then be careful not to sand away the stain.

Finishing: All finishes work well with Tulip Poplar. A simple wax finish over stain (Minwax for example) is easy. An oil finish such as Danish oil can be used. Or a clear top coat such as polyurethane works well to seal the wood. With polyurethanes, the first coat acts as a sanding sealer. So you should lightly sand (180 - 220 grit sandpaper) after the first coat, wipe the wood clean, and then build up coats for the desired effect.

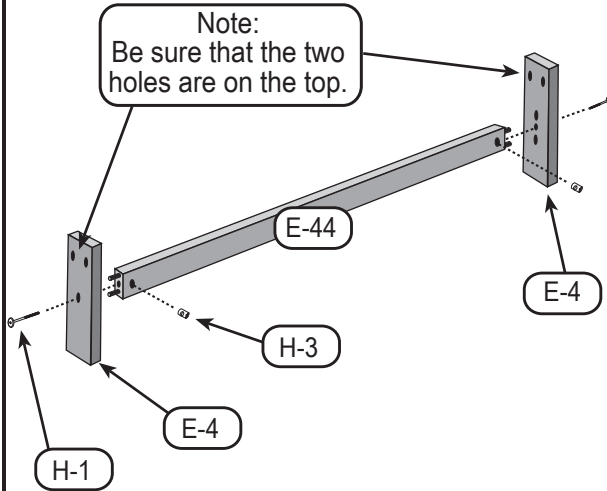
Knockdown Frameworks, Inc. warrants all of its products for five years against any defects that are due to faulty materials or workmanship. We will promptly correct such defects by repair or replacement, at our option, without charge. This warranty covers product defects only and will expire five years after date of purchase by the original consumer purchaser, with proof of purchase required.

This warranty does not apply to damage caused by and resulting from misuse, neglect, accident, or improper operation, maintenance, storage, transportation, or handling of the product. This warranty is for the original consumer purchaser for residential use only and does not apply if the product is used in any commercial application (such as rental property). This warranty does not cover any incidental or consequential damages. If you feel that you have a claim under this warranty, please contact the store from which it was purchased. If this is not possible, call 800-543-3393 for advice on handling your claim.

3

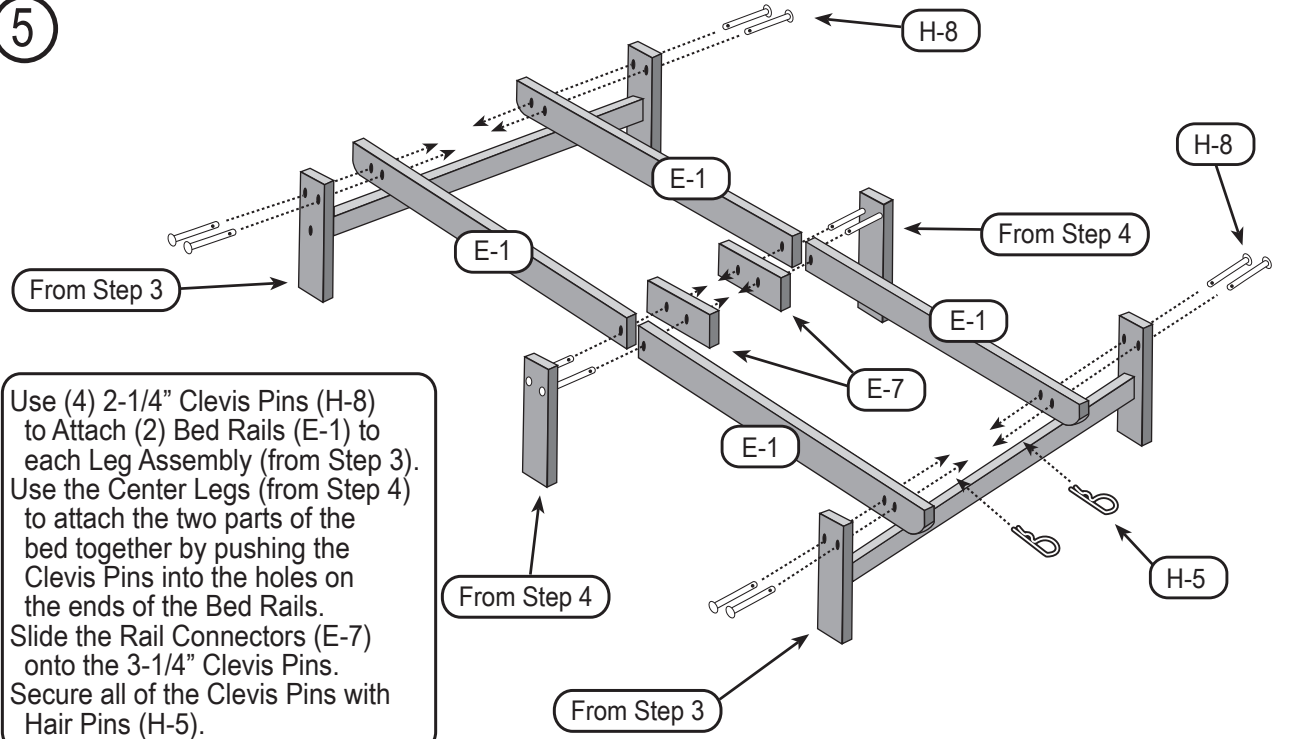
Press an End Leg (E-4) onto the Wood Dowels on each end of a Leg Connector (E-44). Attach the End Legs with 3" Bolts (H-1) and Cross Dowels (H-3). Repeat for the other Leg Assembly.

Note: Be sure that the two holes are on the top.



5

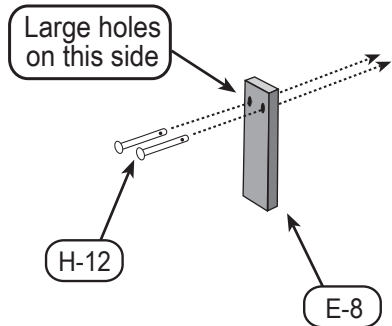
Use (4) 2-1/4" Clevis Pins (H-8) to Attach (2) Bed Rails (E-1) to each Leg Assembly (from Step 3). Use the Center Legs (from Step 4) to attach the two parts of the bed together by pushing the Clevis Pins into the holes on the ends of the Bed Rails. Slide the Rail Connectors (E-7) onto the 3-1/4" Clevis Pins. Secure all of the Clevis Pins with Hair Pins (H-5).



4

Insert 2 of the 3-1/4" Clevis Pins (H-12) into the holes on each of the 2 Center Legs (E-8).

Note: The Clevis Pins must be inserted into the side with the larger holes and pushed in as far as possible.



6

Push the Slat Decks down onto the wood dowels and attach with Wood Screws (H-19).

Note: Wood Screws are self tapping and do not need pilot holes.

