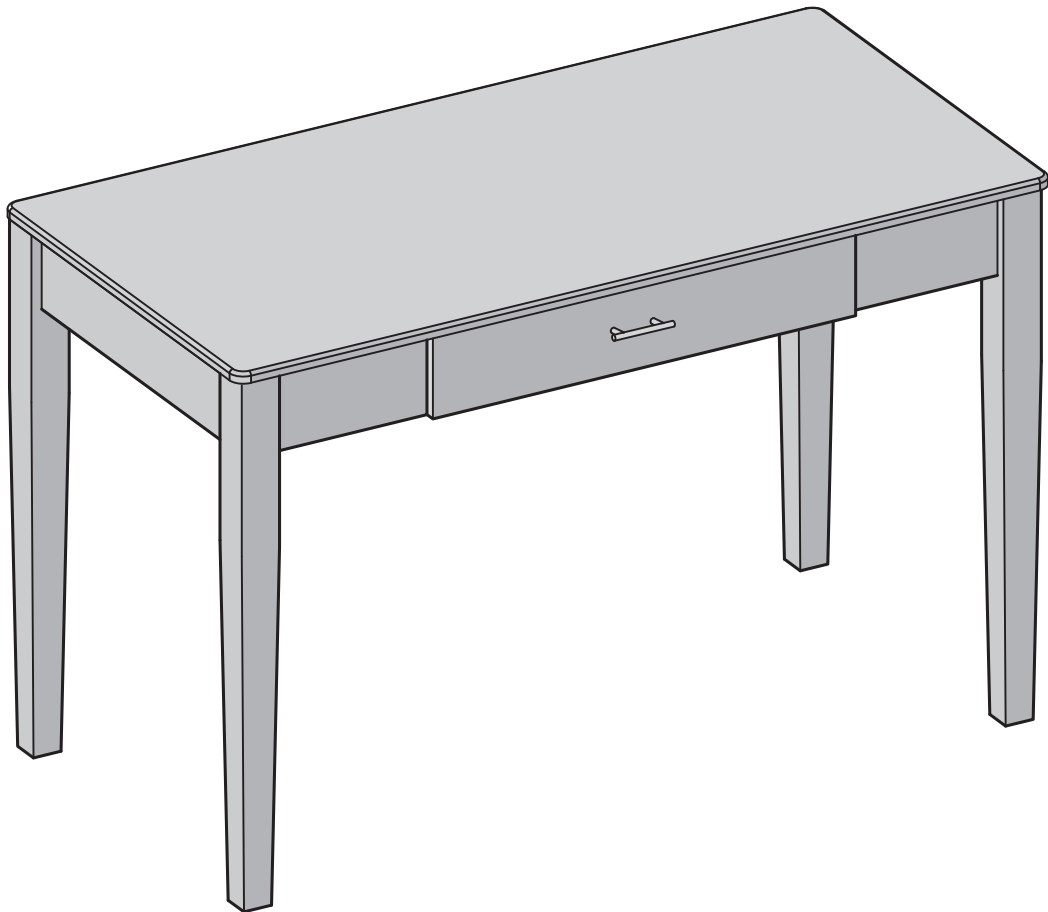


W Walker
E Edison
furniture company

ITEM # : DW48MWD
ASSEMBLY INSTRUCTION

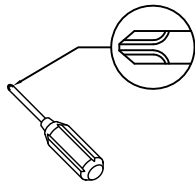


For our most up-to-date instructions, to request missing, lost, or broken parts, or for any other Customer Service issues, please visit our website at www.walkeredison.com or call us at 877-207-5906.

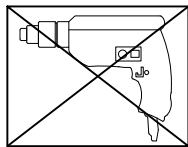
Revised 092015

General Assembly Guidelines

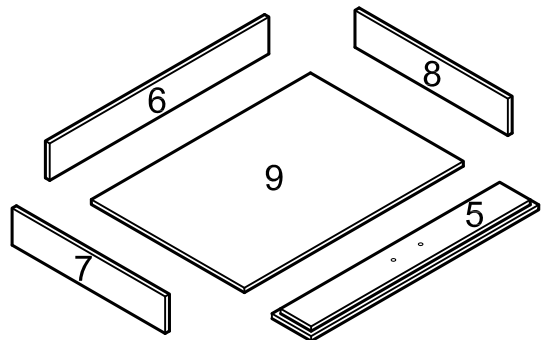
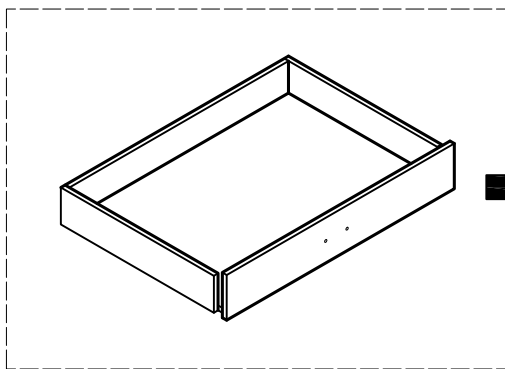
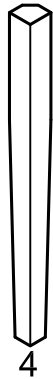
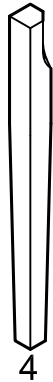
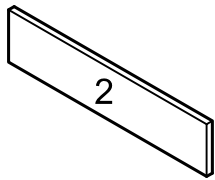
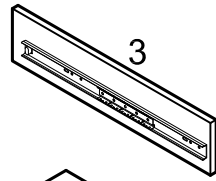
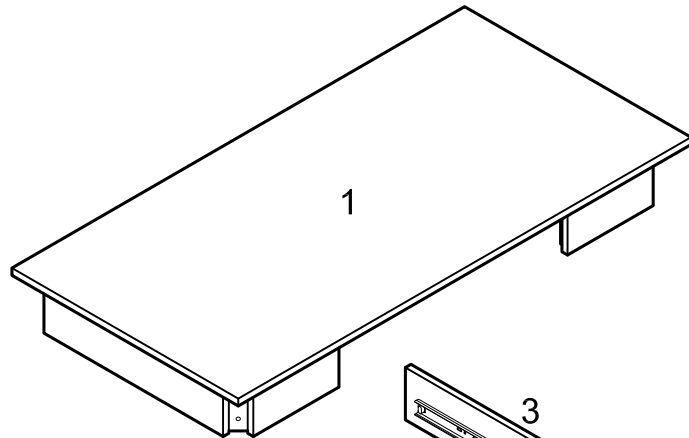
- I. Ensure that all parts and hardware are available before beginning assembly.
- II. Follow each step carefully to ensure the proper assembly of this product.
- III. Two people are recommended for ease in the assembly of this product.
- IV. The two main types of hardware used to assemble this product are : screws and bolts.
- V. A Phillips head screwdriver is required for the assembly of this product .






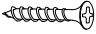


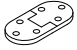
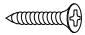


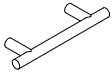
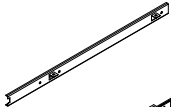


- VI. Power tools should not be used to assemble this product .

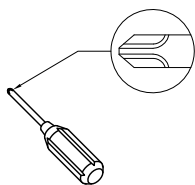


Parts List



Hardware List

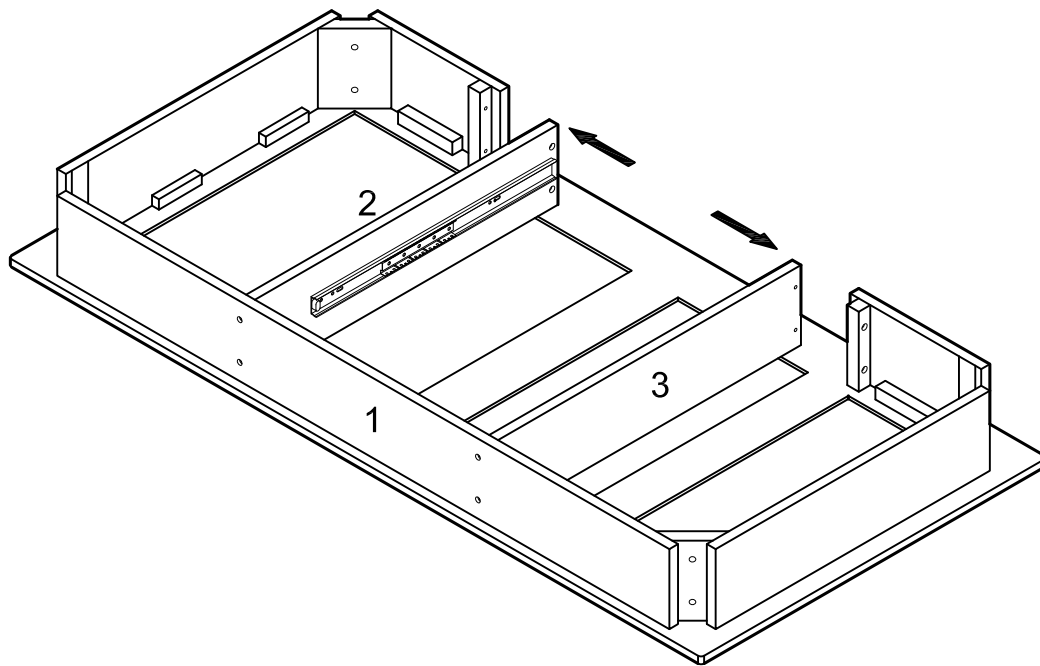
A		M8*50(mm)	Bolt	8 pcs
B			Spring washer	8 pcs
C			Washer	8 pcs
D		M3.5*25(mm)	Screw	21 pcs
E			Hinge lock	1 pc
F			Hinge lock	1 pc
G			Hinge	2 pcs
H		Ø3*10(mm)	Screw	8 pcs
J		Ø3.5*10(mm)	Screw	12 pcs
K			Bolt	2 pcs
L			Knob	1 pc
M			Slippery track	1 pc
N			Slippery track	1 pc
P		M5(mm)	Wrench	1 pc



Philips head screwdriver required for assembly
(not included)

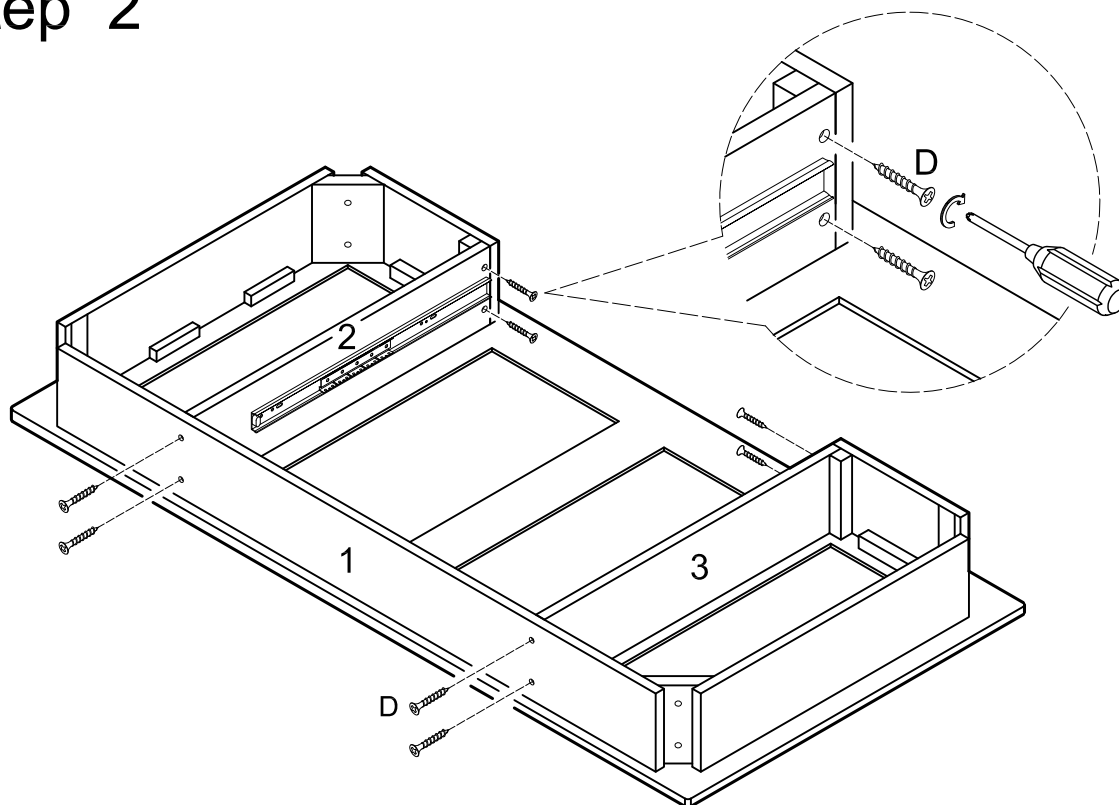
*The hardware quantities listed above are required for proper assembly.
Some extra hardware may also have been included.*

Step 1



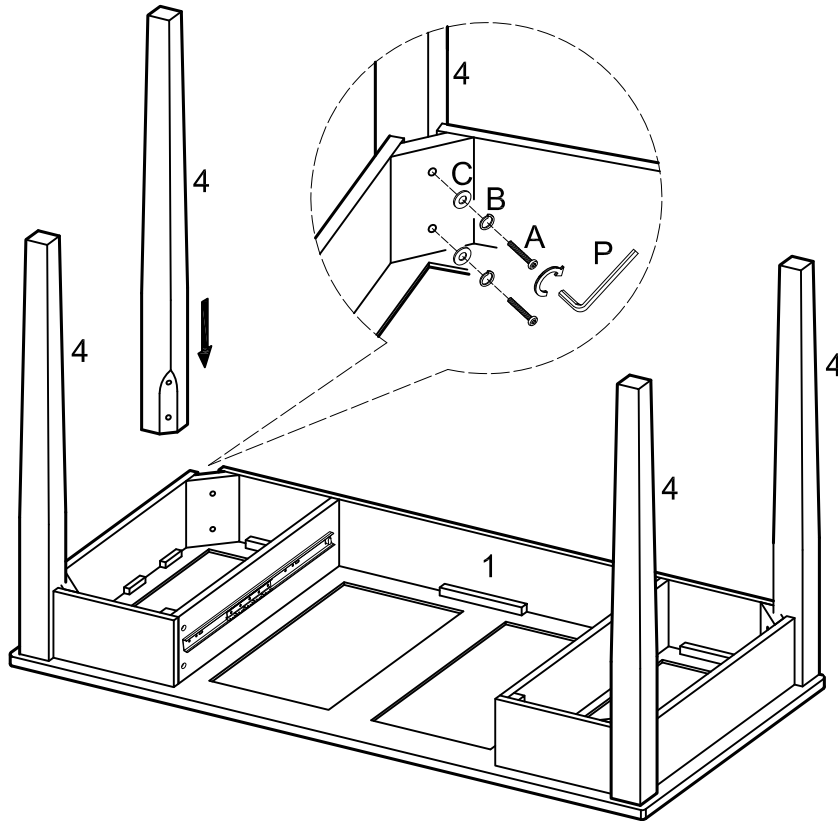
Carefully slide panels (2,3) into place along the interior of desk top (1).

Step 2



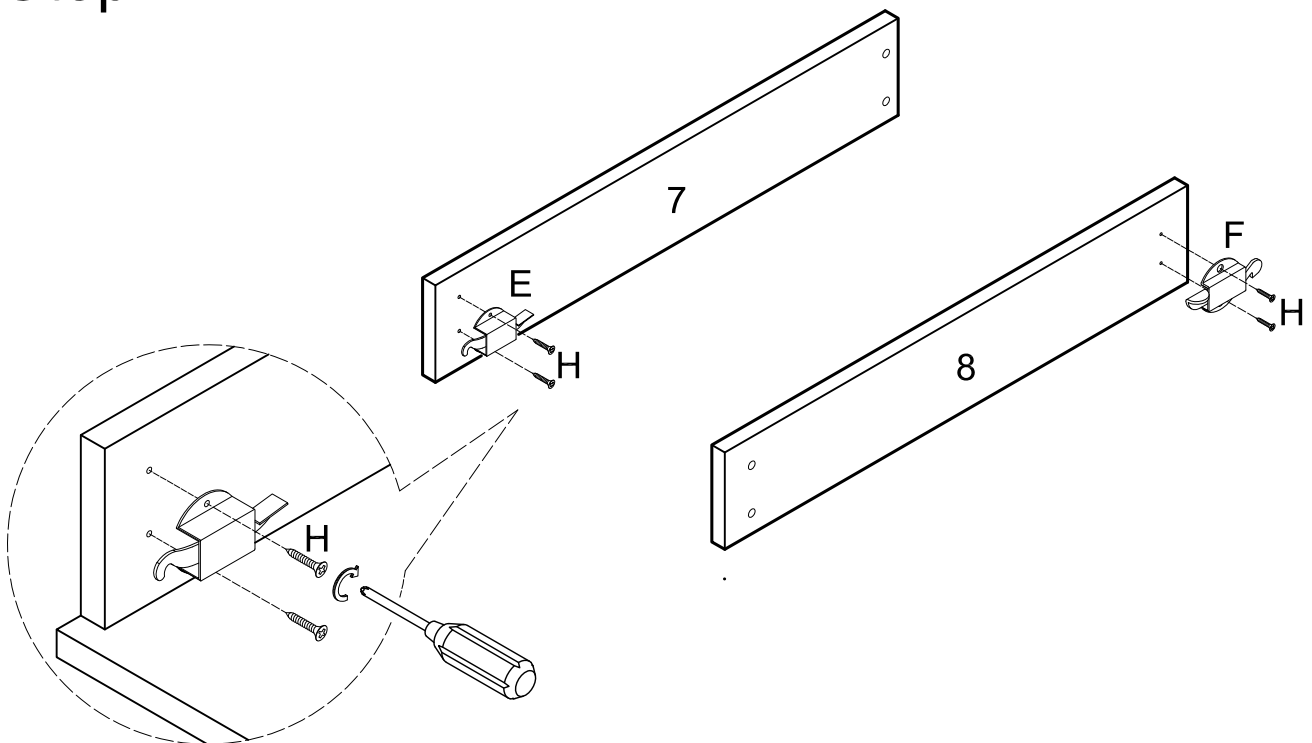
Attach panels (2,3) to desk top (1) using screws (D). Tighten screws (D) with a screwdriver.

Step 3



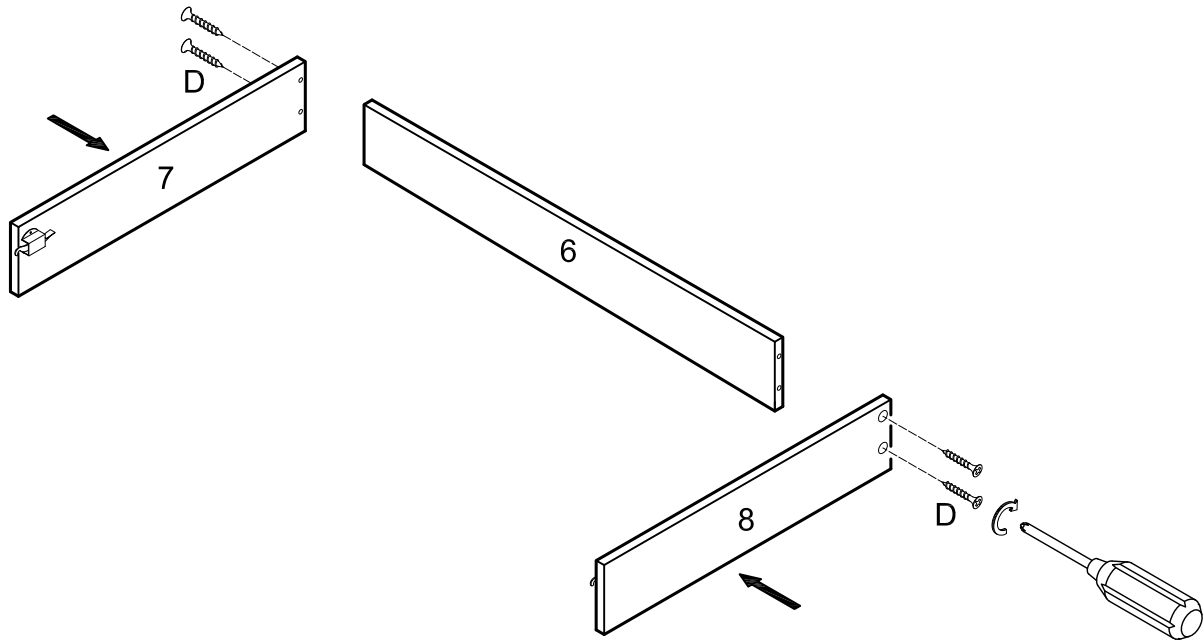
Carefully slide desk legs (4) into place. Attach desk legs (4) to desk top (1) using washers (C), spring washers (B) and bolts (A). Tighten bolts (A) with wrench (P).

Step 4



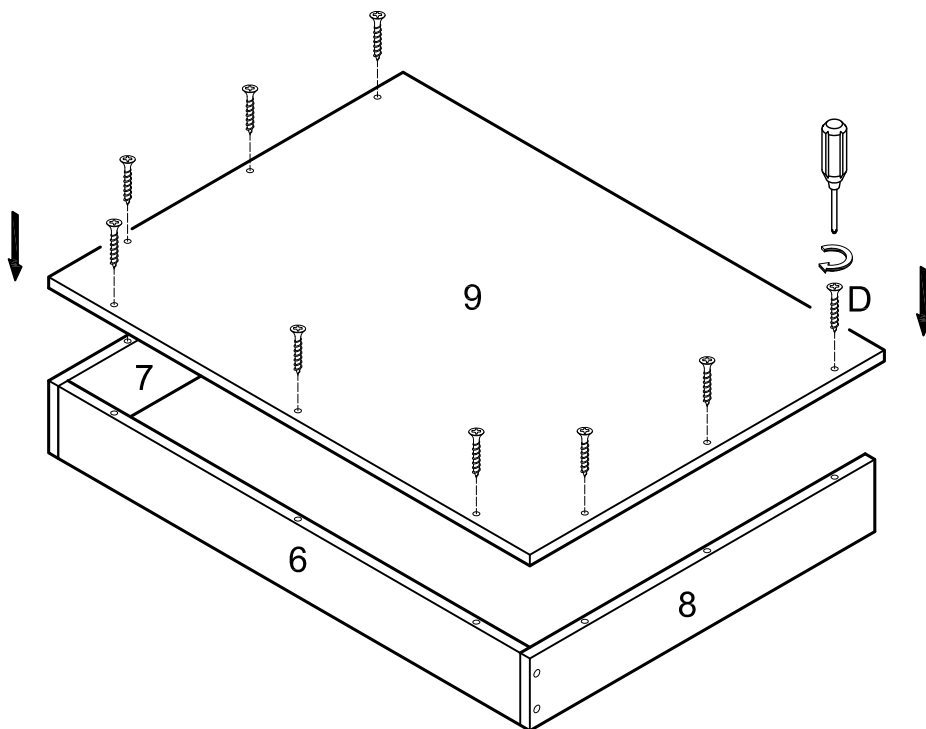
Attach left drawer lock (E) to drawer side (7) using screws (H). Attach right drawer lock (F) to drawer side (8) using screws (H). Tighten all screws (H) with a screwdriver.

Step 5



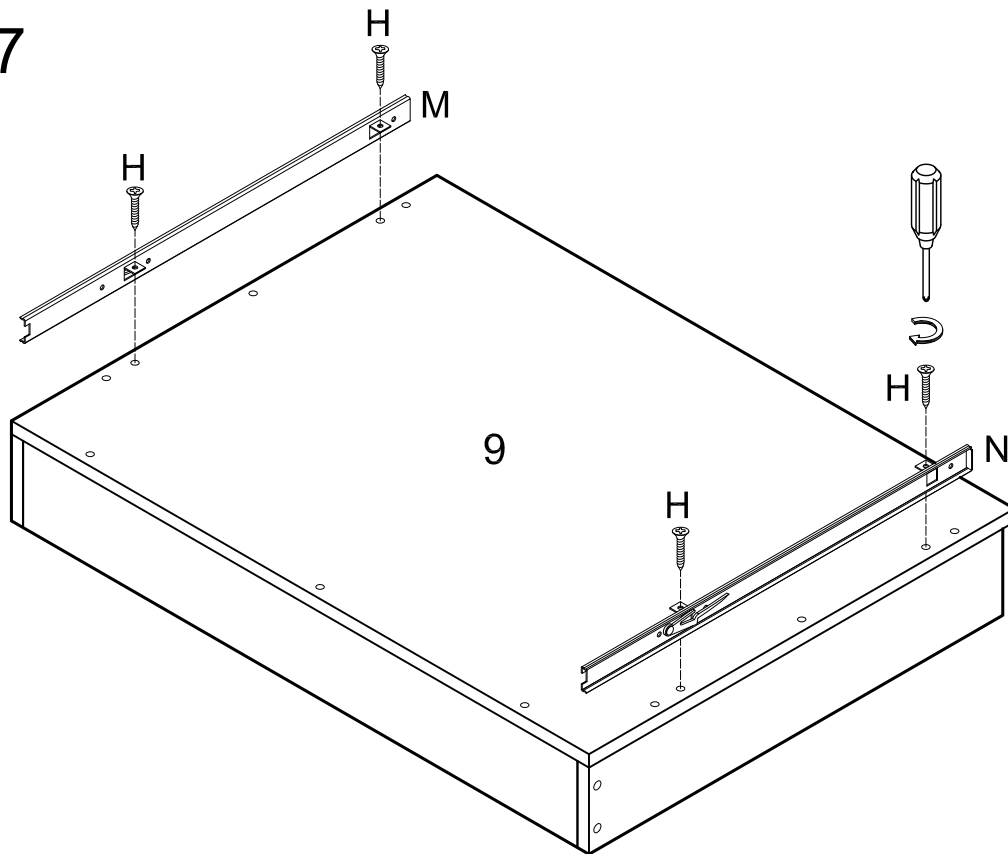
Attach drawer sides (7,8) to drawer back (6) using screws (D). Insure that the drawer locks are on the interior of the drawer assembly. Tighten screws (D) with a screwdriver.

Step 6



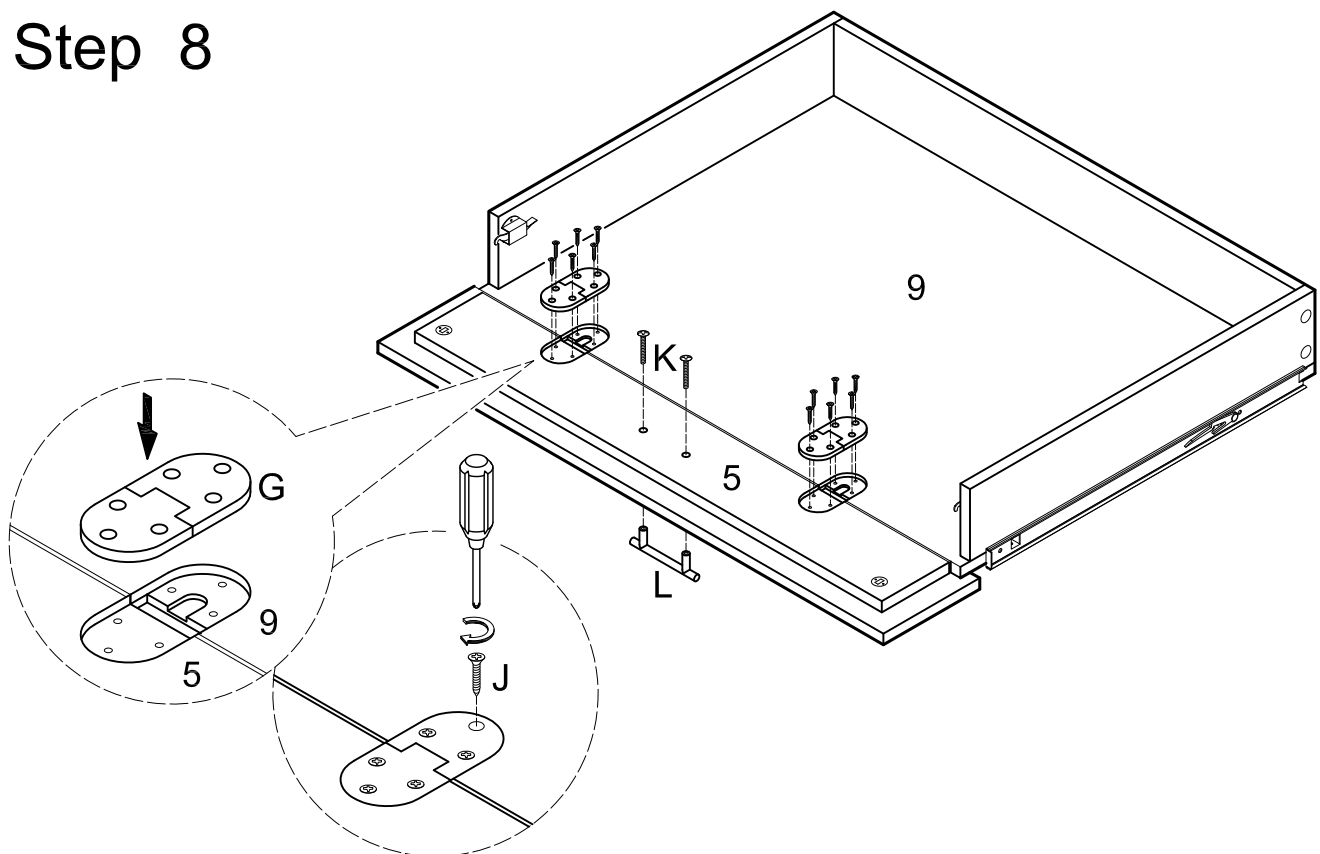
Attach drawer bottom (9) to drawer sides (7,8) and drawer back (6) using screws (D). Tighten screws (D) with a screwdriver.

Step 7



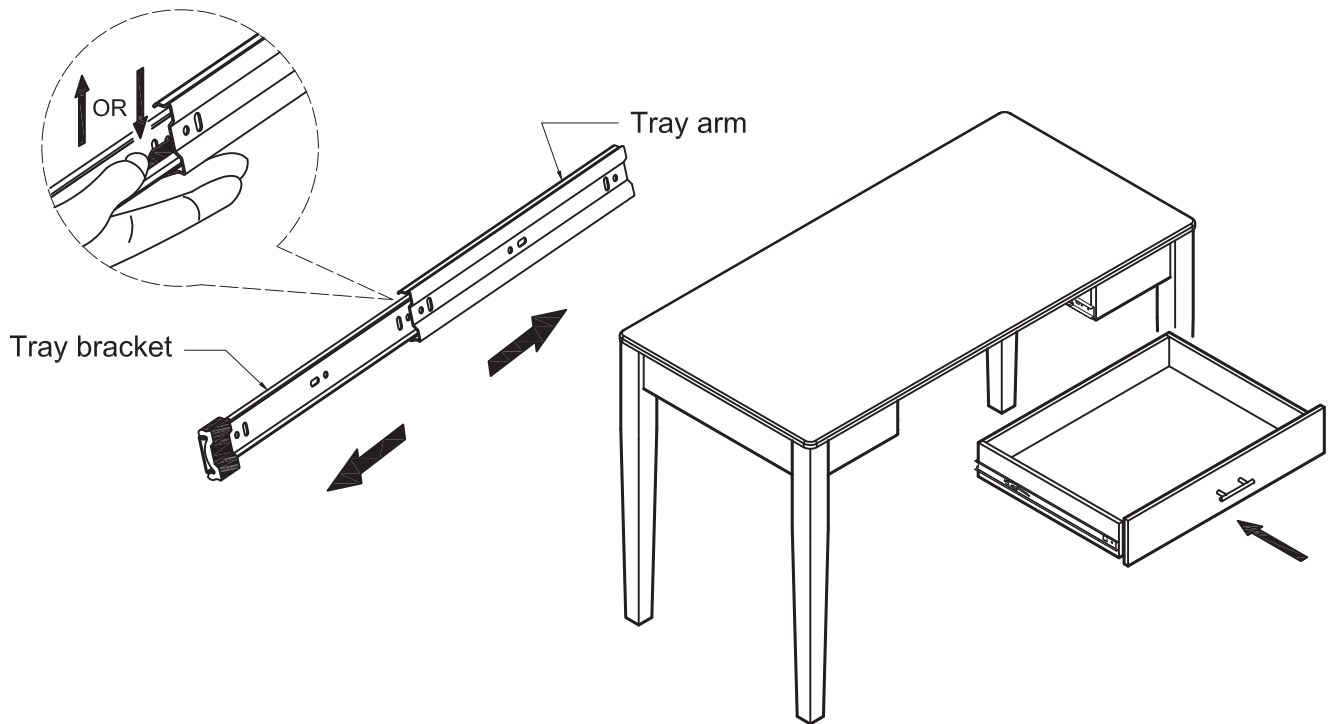
Attach left drawer track (M) and right drawer track (N) to drawer bottom (9) as shown above using screws (H). Tighten screws (H) with a screwdriver.

Step 8



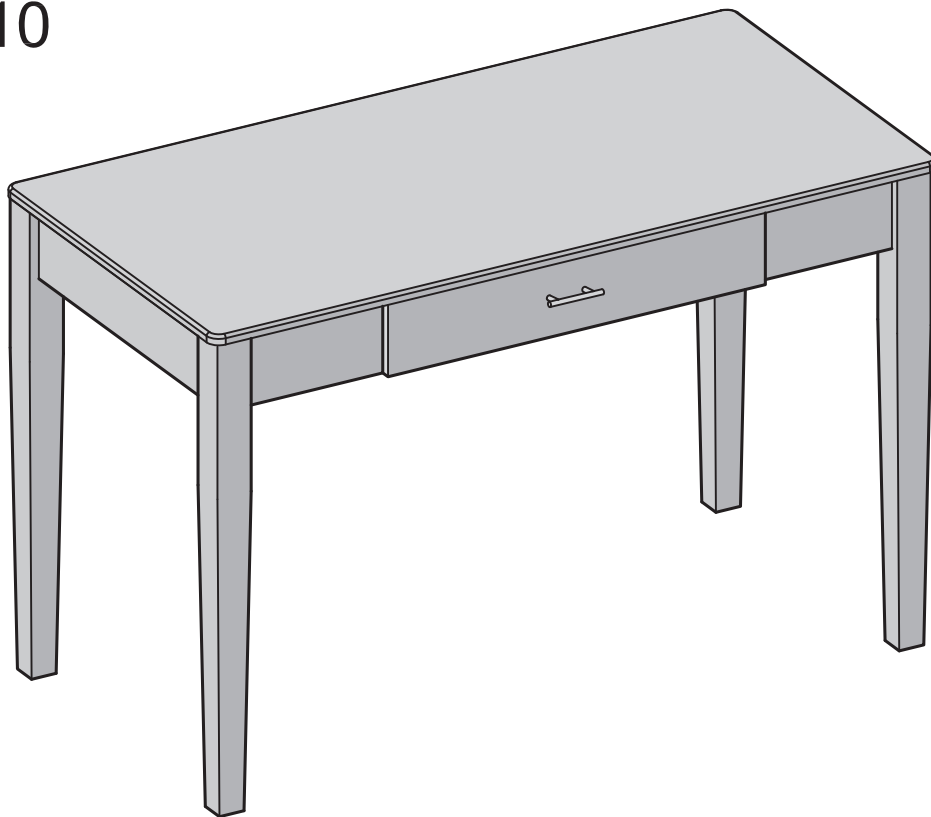
Align drawer front (5) with drawer bottom (9). Place hinges (G) into the slots of drawer pieces (5,9) and attach them to the drawer pieces using screws (J). Attach knob (L) to drawer front (5) using bolt (K). Tighten screws (J) and bolt (K) with a screwdriver.

Step 9



Carefully slide the drawer into the desk assembly . For disassemble drawer tray , by sliding the tray arm and the tray bracket out. Press and tick the small lever on the tray bracket and carefully pull the two pieces apart.

Step 10



Final Assembly