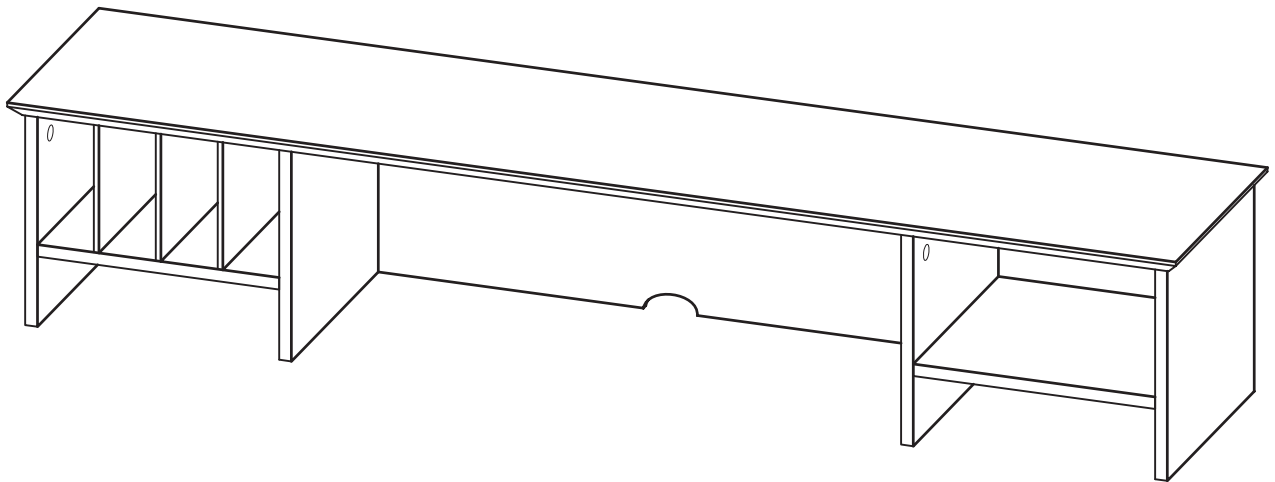




Walker
Edison

furniture company

Item #: DHW46
Assembly Instructions

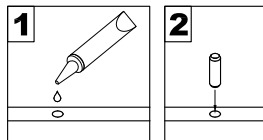


For our most current instructions, to request missing, lost or broken parts, or for any other Customer Service issues, please visit our website at www.walkeredison.com or call us at 877-207-5906.

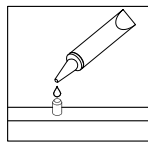
Revised 11/2010

General Assembly Guidelines

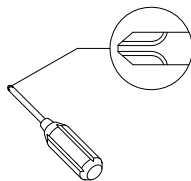
- I. Ensure that all parts and hardware are available before beginning assembly.
- II. Follow each step carefully to ensure the proper assembly of this product.
- III. Two people are recommended for ease in the assembly of this product.
- IV. The four main types of hardware used to assemble this product are: wood dowels, cam bolts and locks, bolts and screws.
- V. The provided glue is to secure wood dowels in place. When first inserting dowels, locate the appropriate hole for the dowel, place a small amount of glue in the hole and insert the dowel. Wipe away excess glue immediately.



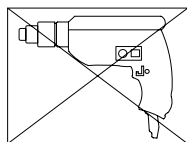
In future assembly steps when dowels are necessary to attach assembly parts together, place a small amount of glue on the end of the dowel before attaching parts together. Wipe away excess glue immediately.



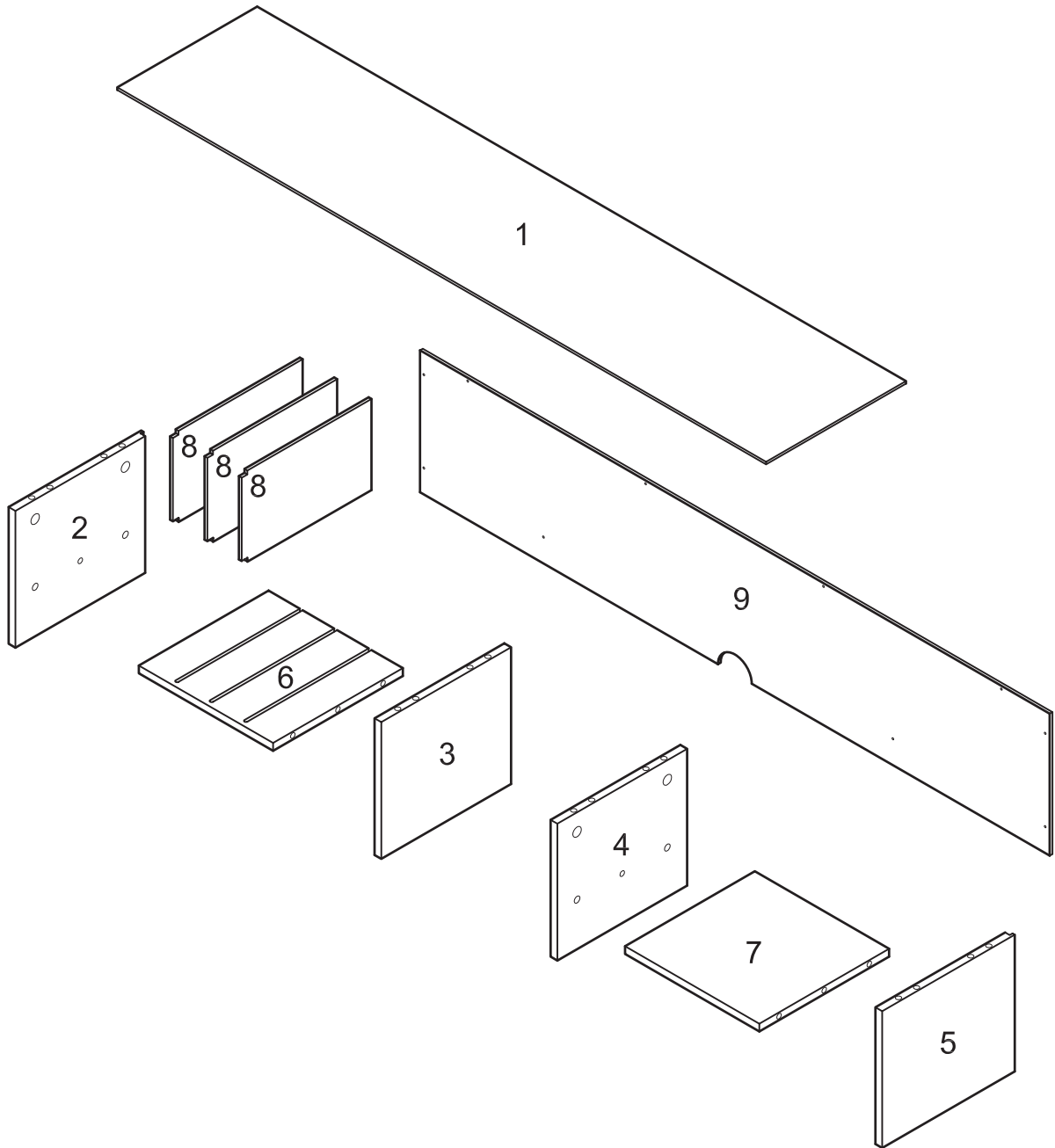
- VI. A Phillips head screwdriver is required for the assembly of this product.










- VII. Power tools should not be used to assemble this product.



Parts List

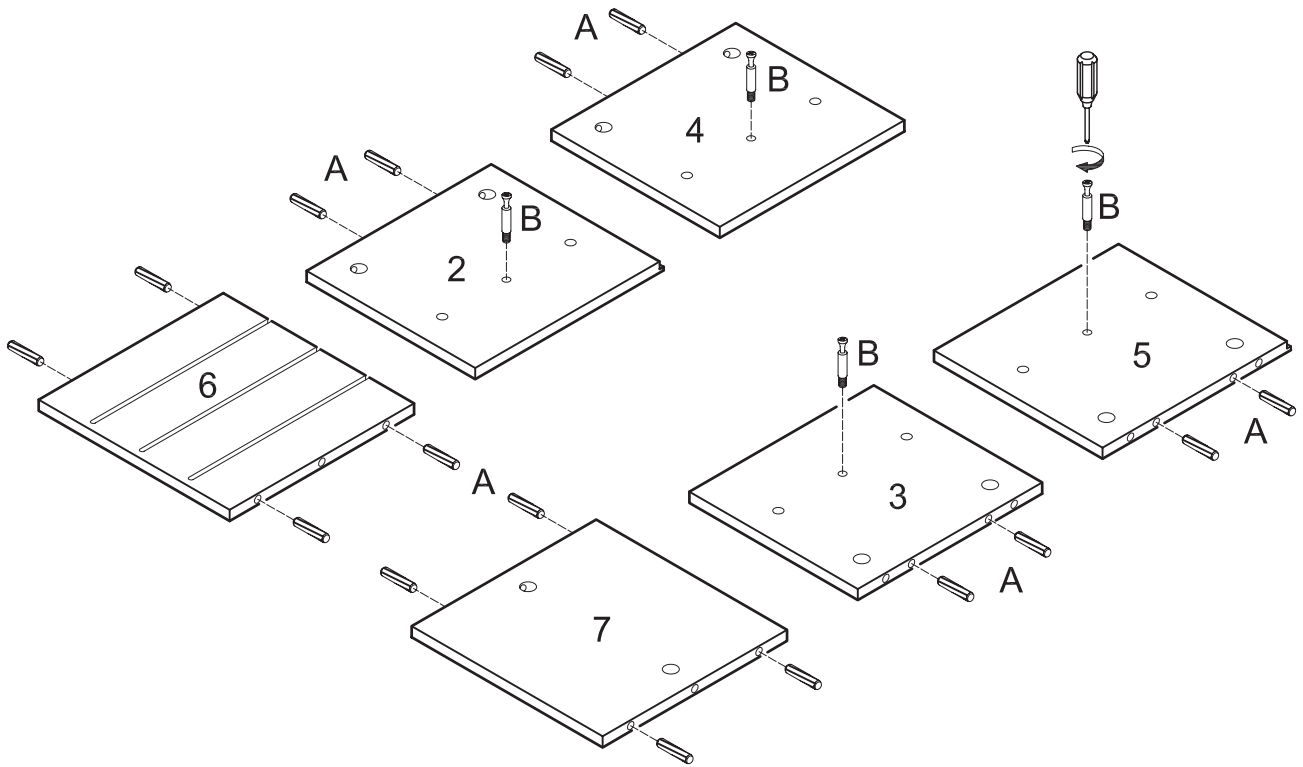


Hardware List

A		M6*30(mm)	Wood dowel	16 pcs
B			Cam bolt	12 pcs
C			Cam lock	12 pcs
D			Plastic cover	8 pcs
E		M3*12(mm)	Screw	10 pcs
F			Glue tube	1 pc
G			Touch-up marker	1 pc

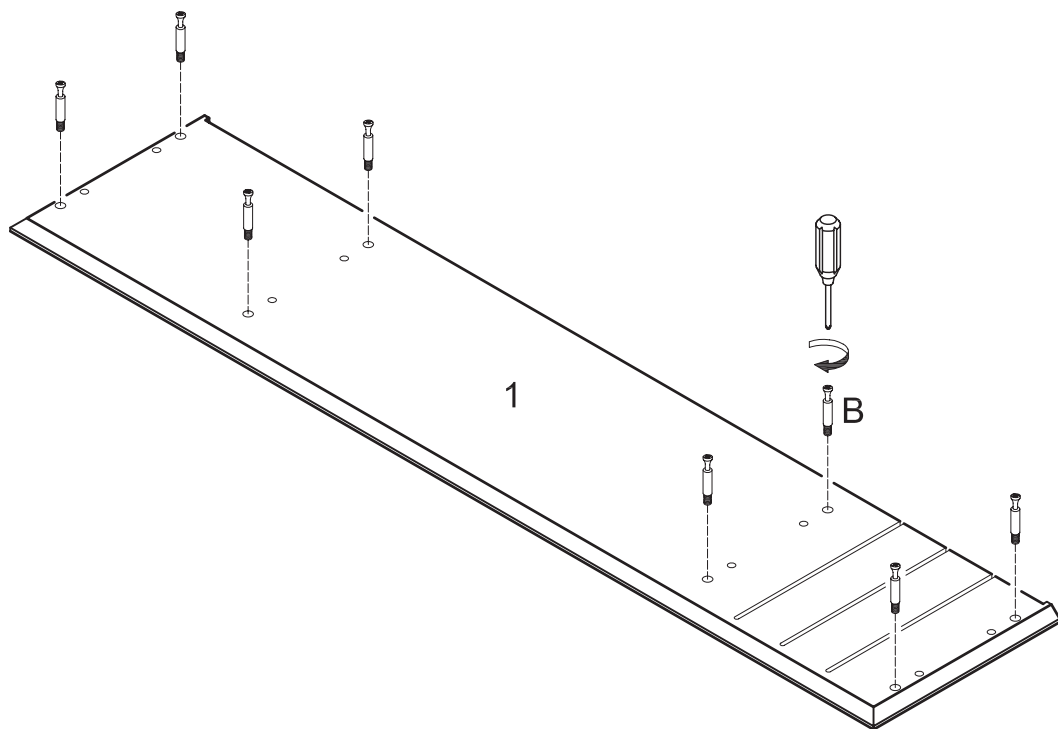
*The hardware quantities listed above are required for proper assembly.
Some extra hardware may also have been included.*

Step 1



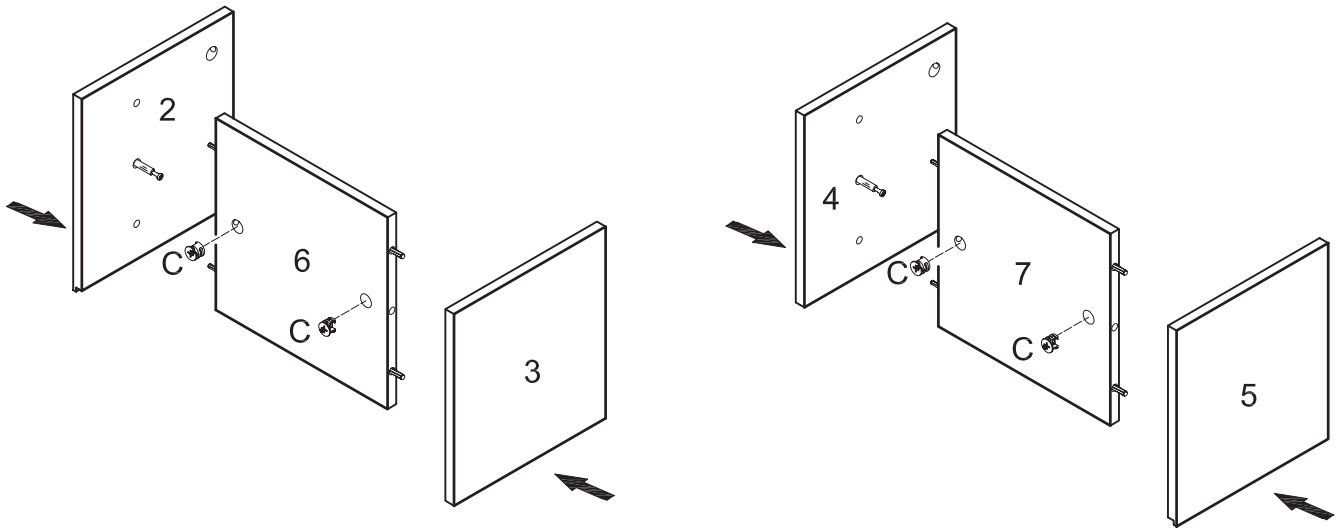
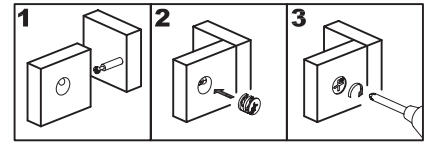
Insert dowels (A) into panels (2,3,4,5) and shelves (6,7). Screw cam bolts (B) into panels (2,3,4,5).

Step 2



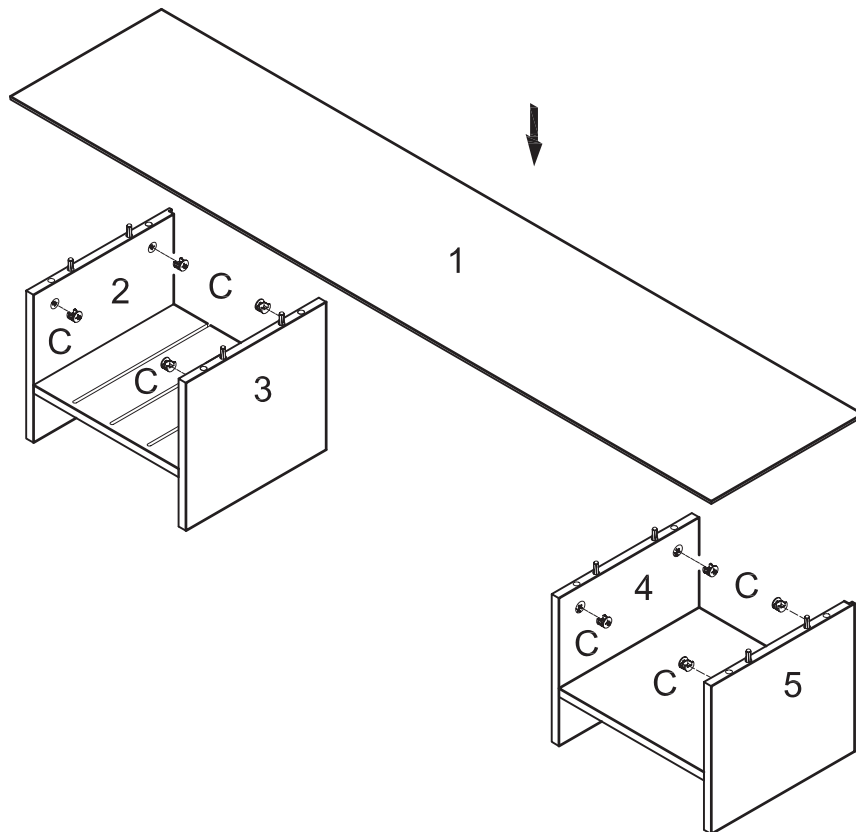
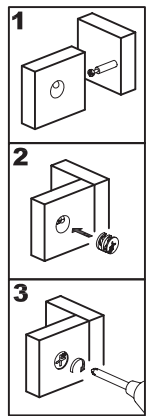
Screw cam bolts (B) into hutch top (1).

Step 3



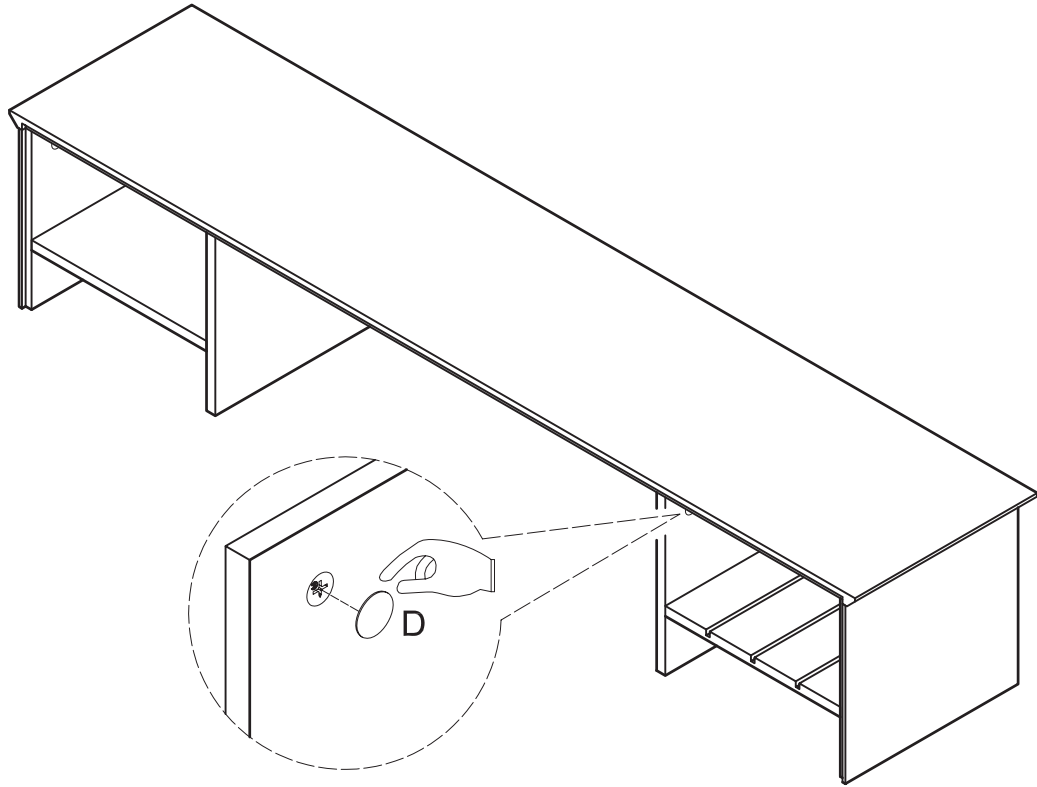
Insert cam locks (C) into shelves (6,7). Attach panels (2,3) to shelf (6) and panels (4,5) to shelf (7) using cam bolts and dowels as guides. Tighten cam locks (C) with a screwdriver to secure panels (2,3) to shelf (6) and panels (4,5) to shelf (7).

Step 4



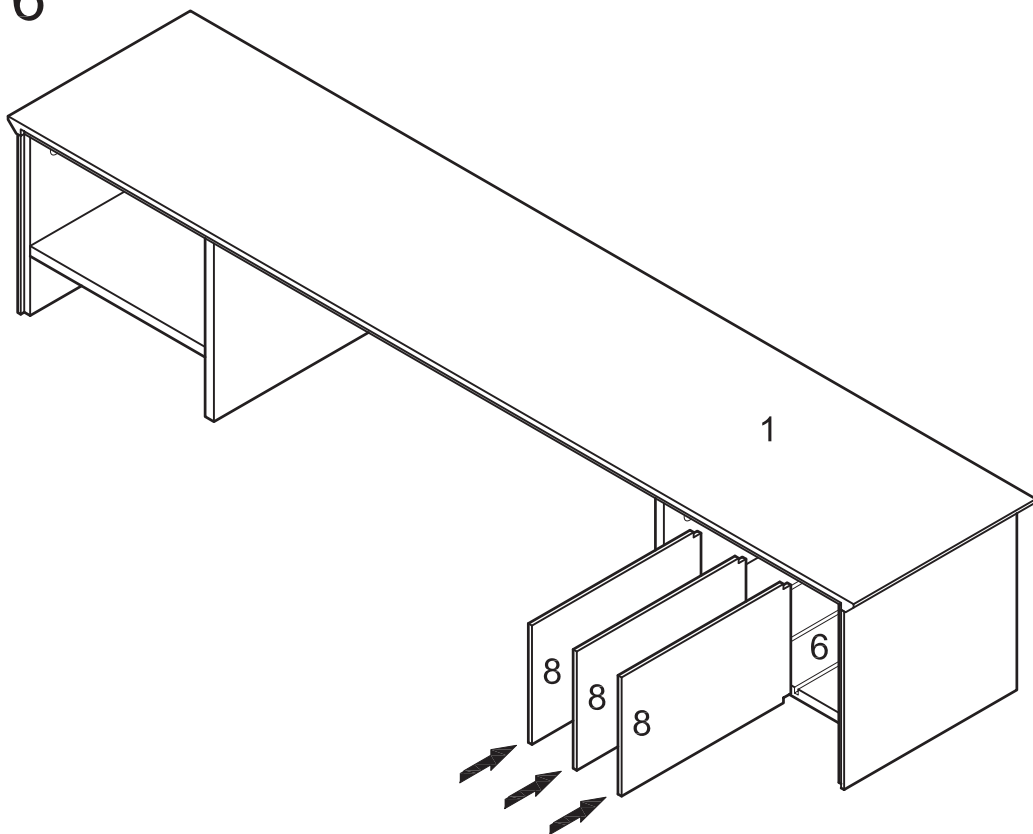
Insert cam locks (C) into panels (2,3,4,5). Attach hutch top (1) to the panel assemblies using cam bolts and dowels as guides. *Insure that the thin grooves across one end of hutch top (1) are above shelf (6).* Tighten cam locks (C) to secure hutch top (1) to the panel assemblies.

Step 5



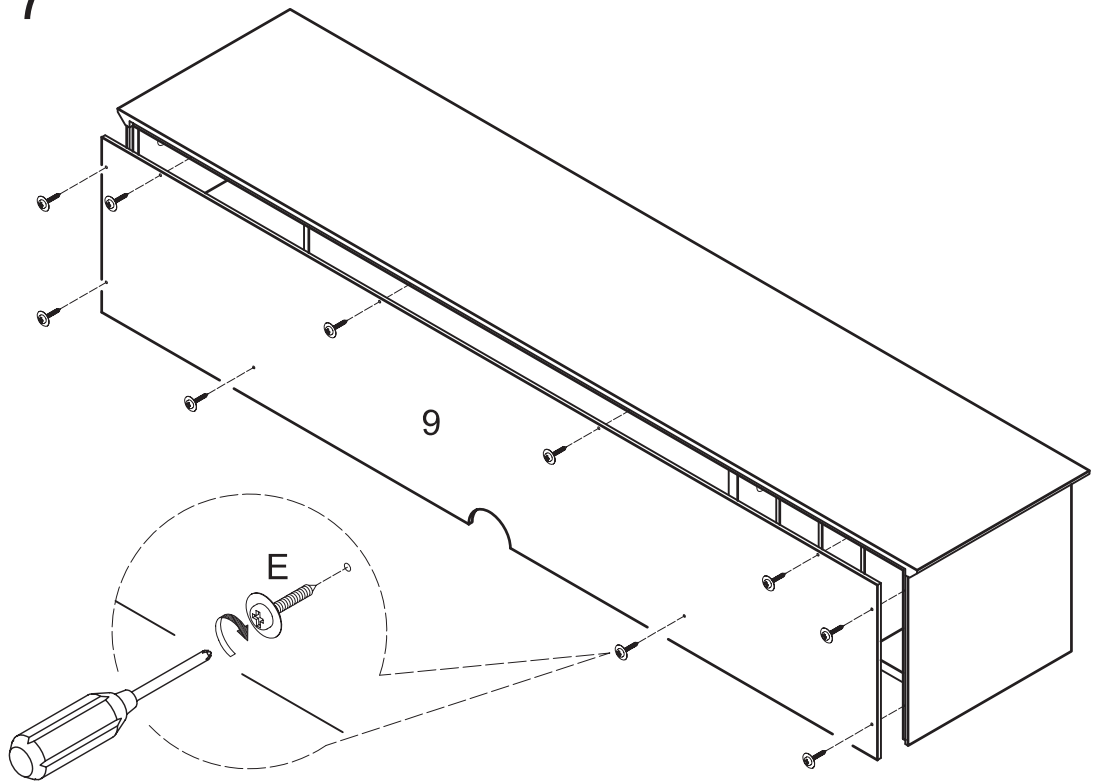
Cover all cam locks with plastic covers (D) as desired.

Step 6



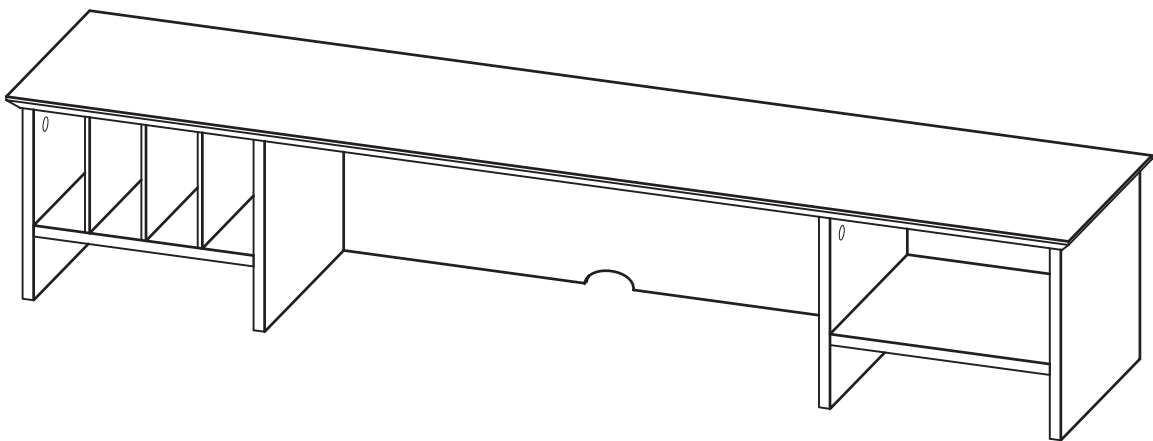
From the back of the hutch assembly, carefully slide divider panels (8) into place along the grooves of hutch top (1) and shelf (6).

Step 7



Attach back panel (9) to the hutch assembly using screws (E).

Step 8



Final Assembly