

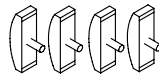
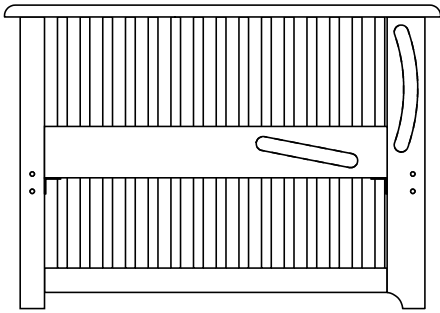
# CRADLE CONVERTER ARM

# BROOKLYN

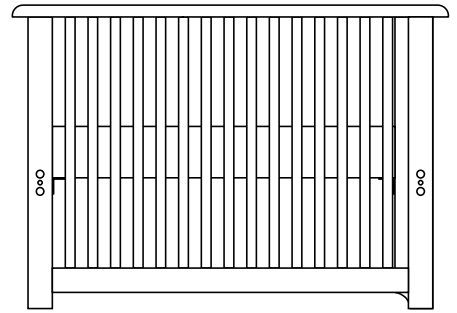
## Bi-Fold Arm Parts List

Please follow Assembly Instructions in Body Box

### One Pair of Arms



4pcs of Wood Blocks  
with Pre-installed dowels.  
Install the Wood Blocks to  
the Bi-Fold Arm



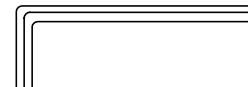
### Hardware in this box



Bolts - 8 Pieces

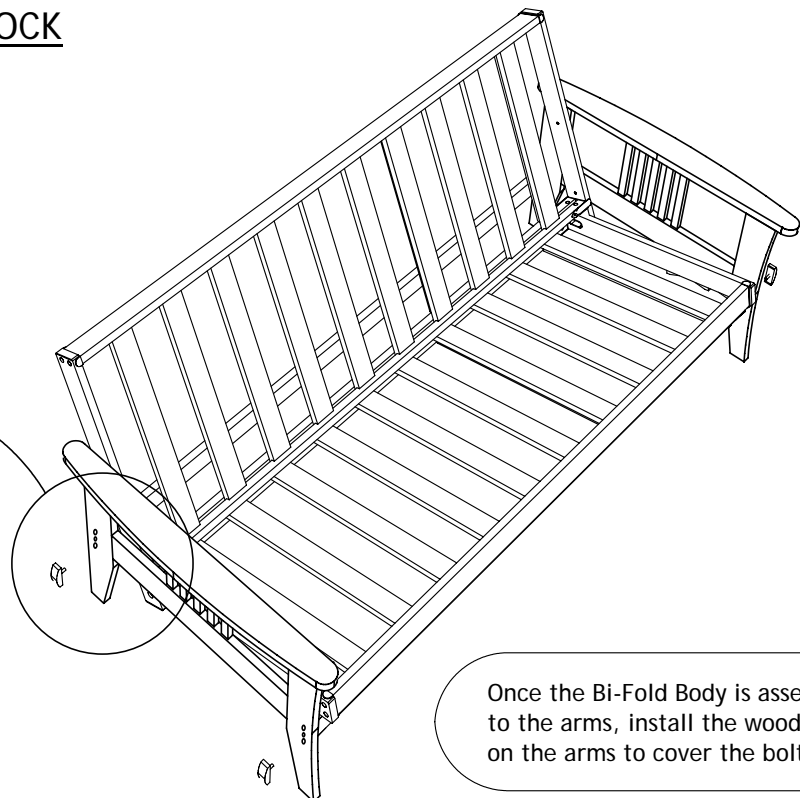
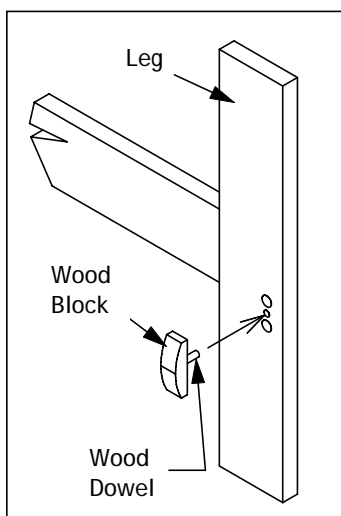


Barrel Nuts - 8 Pieces



Allen Key - 1 Piece

### INSTALLATION OF WOOD BLOCK



Once the Bi-Fold Body is assembled to the arms, install the wood blocks on the arms to cover the bolts holes.



LIFESTYLE SOLUTIONS

The Fusion Of Function And Comfort With Style