



Walker  
Edison

furniture company

ITEM # : BTSQTOZ

BTSQTW

Assembly Instructions



*To request missing, lost or broken parts,, or for any other customer service issues,  
please visit our website at [www.walkeredison.com](http://www.walkeredison.com) or call us at 877-207-5906.*

Revised 12/2015

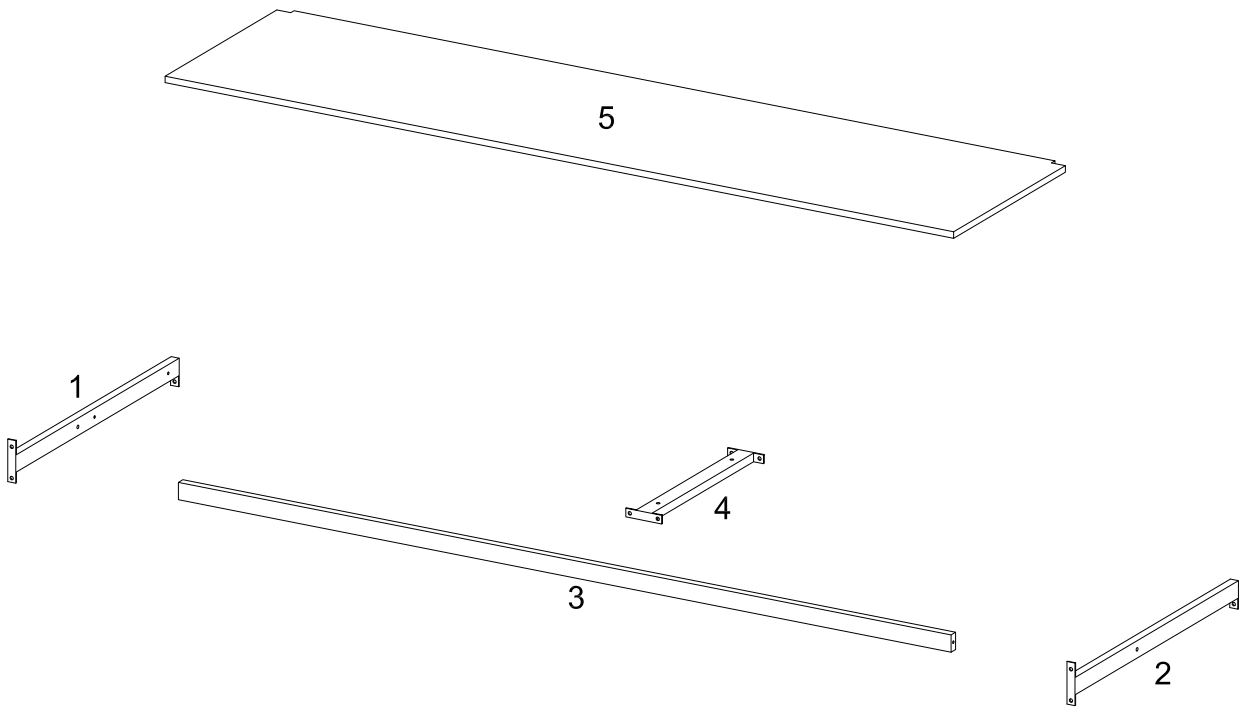


## Instruction Manual

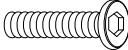
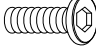



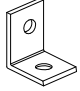

### IMPORTANT INFORMATION MUST READ BEFORE ASSEMBLING PRODUCT

- Follow the information on the warnings appearing on the upper bunk end structure and on the carton. Do not remove warning label from bed.
- Use only a mattress which is 74-75" L x 37.5-38.5"W x 7"H on the upper bunk.
- Replacement Parts—Replacement parts, including additional guardrails, may be obtained from any of Walker Edison Furniture's dealers or by contacting Walker Edison Furniture online at [www.walkeredison.com](http://www.walkeredison.com).
- Follow the information on the warnings appearing on the upper bunk end structure and on the carton. DO NOT remove warning label from bed.
- Always use the recommended size mattress or mattress support, or both, to help prevent the likelihood of entrapment or falls.
- Surface of mattress must be at least 5 in. (127mm) below the upper edge of guardrails. Mattress must not exceed a maximum thickness of 7 inches.
- DO NOT allow children under 6 years of age to use the upper bunk.
- Periodically check and ensure that the guardrail, ladder, and other components are in their proper position, free from damage, and that all connectors are tight.
- DO NOT allow horseplay on or under the bed and prohibit jumping on the bed.
- Always use the ladder for entering and leaving the upper bunk.
- DO NOT use substitute parts. Contact the manufacturer or dealer for replacement parts.
- Use of a night light may provide added safety precaution for a child using the upper bunk.
- Always use guardrails on both long sides of the upper bunk. If the bunk bed will be placed next to the wall, the guardrail that runs the full length of the bed should be placed against the wall to prevent entrapment between the bed and wall.
- The use of water or sleep flotation mattresses is prohibited.
- STRANGULATION HAZARD—Never attach or hang items to any part of the bunk bed that are not designed for use with the bed; for example, but not limited to, hooks, belts and jump ropes.
- Prohibit more than one person on upper bunk.
- Keep these instructions for future reference.

# Parts List

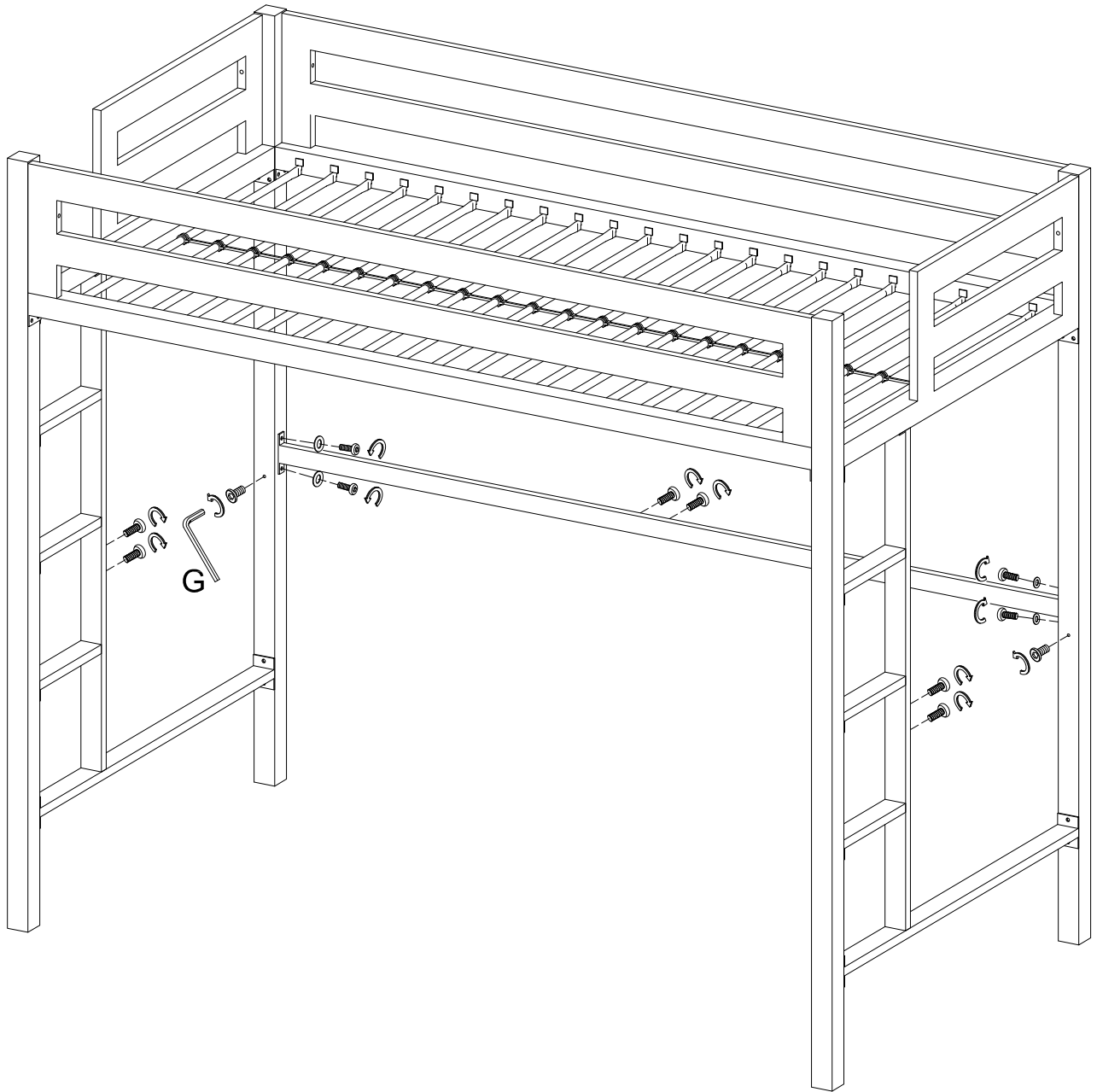


# Hardware List

A		Ø1/4"*1-1/2"	Bolt	2 pcs
B		Ø1/4"*1-1/8"	Bolt	2 pcs
C		Ø1/4"*5/8"	Bolt	6 pcs
D		Ø1/4"*1/2"	Bolt	4 pcs
E		Ø16mm	Washer	18 pcs
F			Angle bracket	4 pcs
G		M4mm	Wrench	1 pc

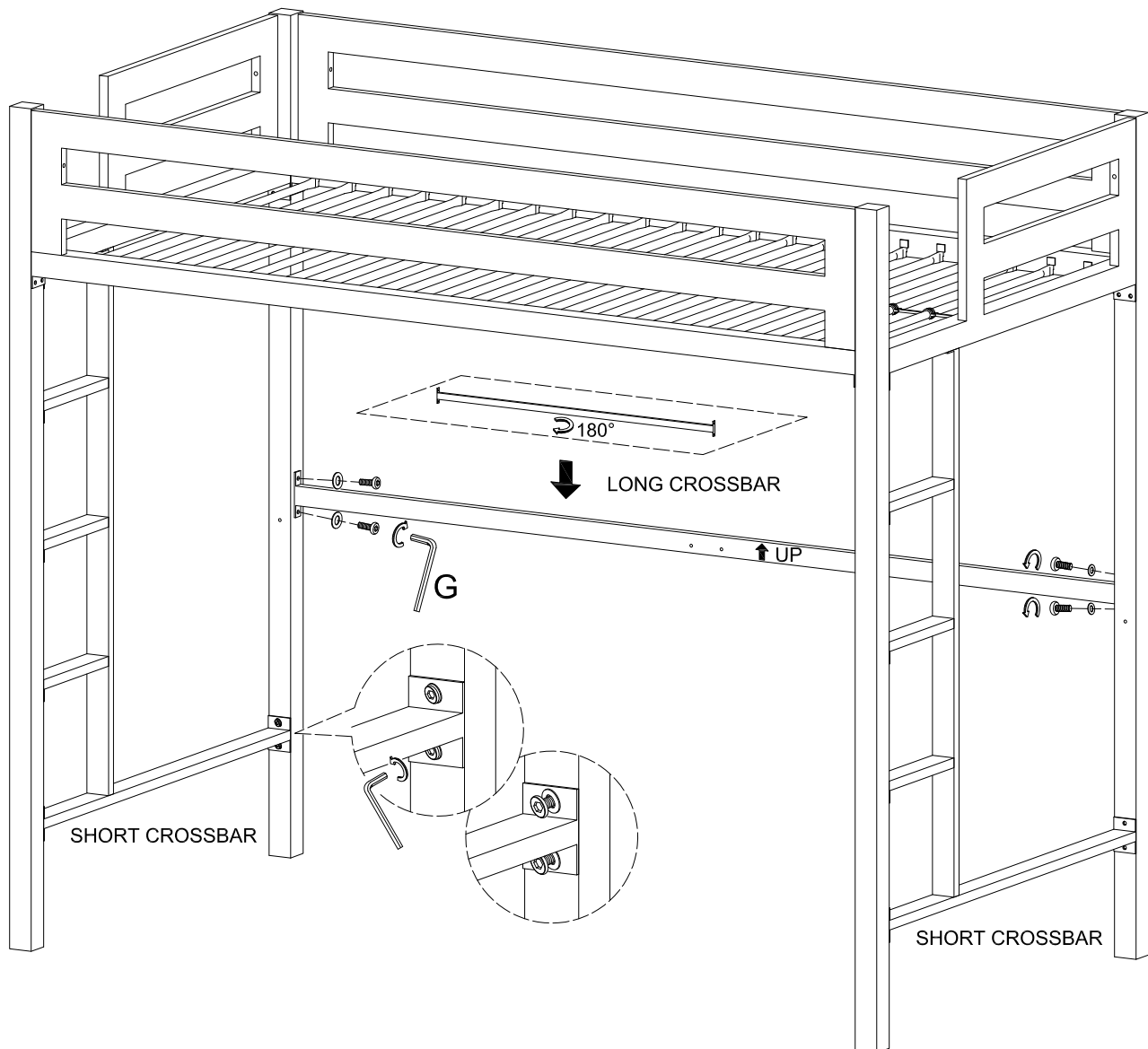
*The hardware quantities listed above are required for proper assembly.  
Some extra hardware may also have been included.*

# Step 1



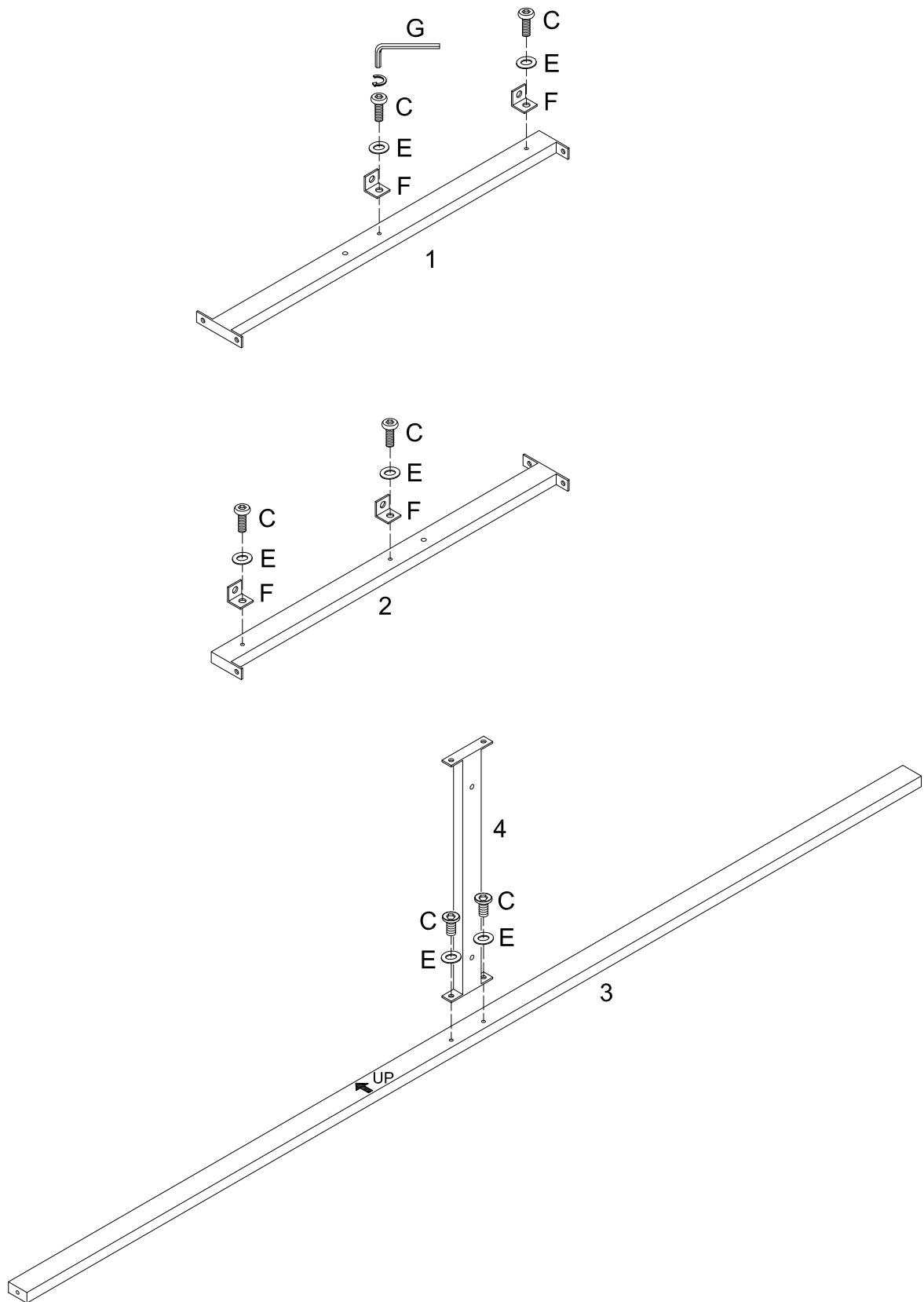
Remove the bolts, washers shown above from the bunk bed frame.

## Step 2



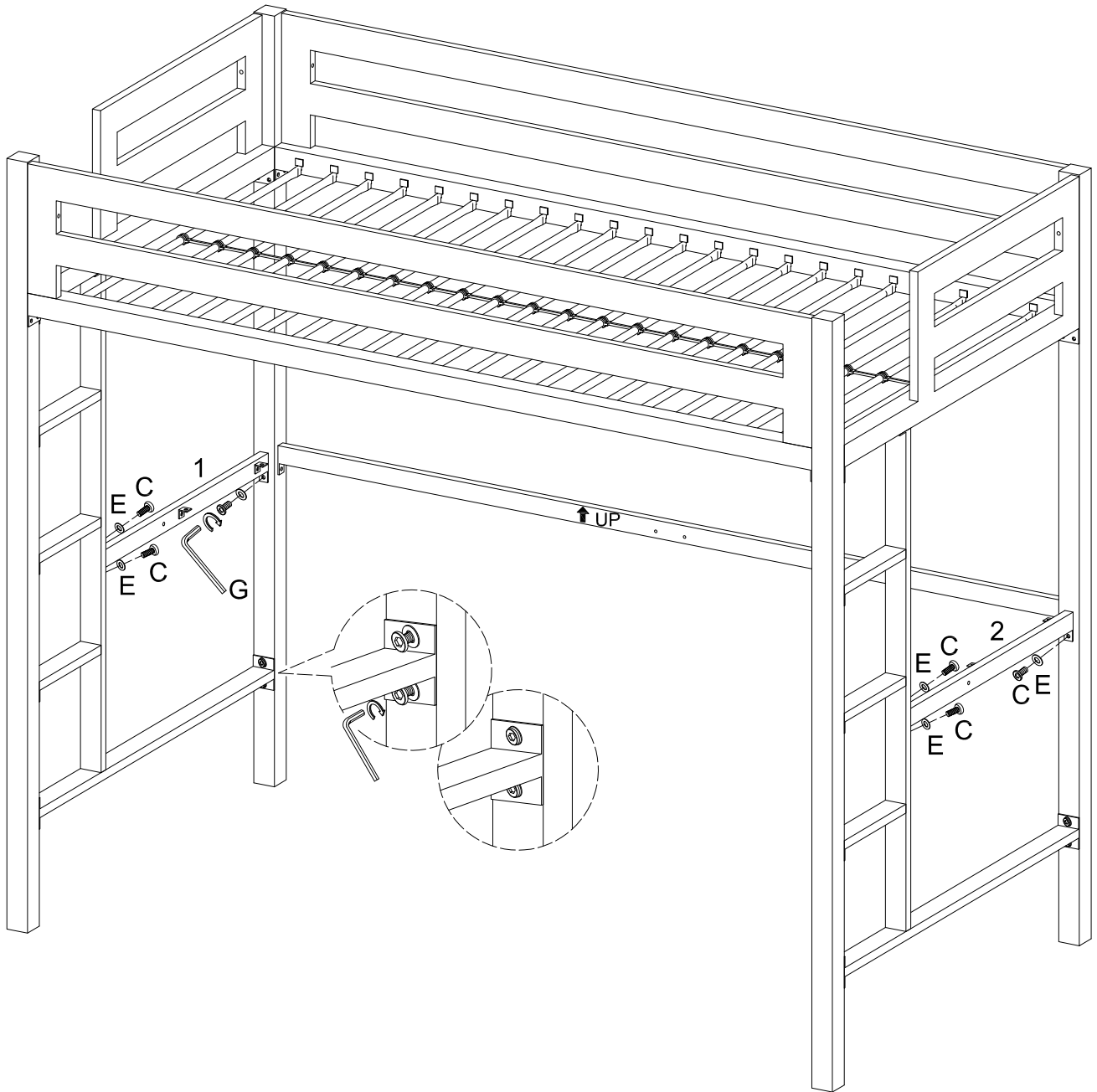
Remove the long crossbar from the bunk bed frame and turn it over so the screw holes are facing forward. Reattach the long crossbar to the bunk bed frame using the same bolts and washers from Step 1. Loosen, but do not remove the bolts that anchor the short crossbars to the bunk bed frame.

# Step 3



Attach angle brackets (F) to crossbars (1,2) using bolts (C) and washers (E). Attach desk crossbar (4) to crossbar (3) using bolts (C) and washers (E). Tighten all bolts (C) with wrench (G).

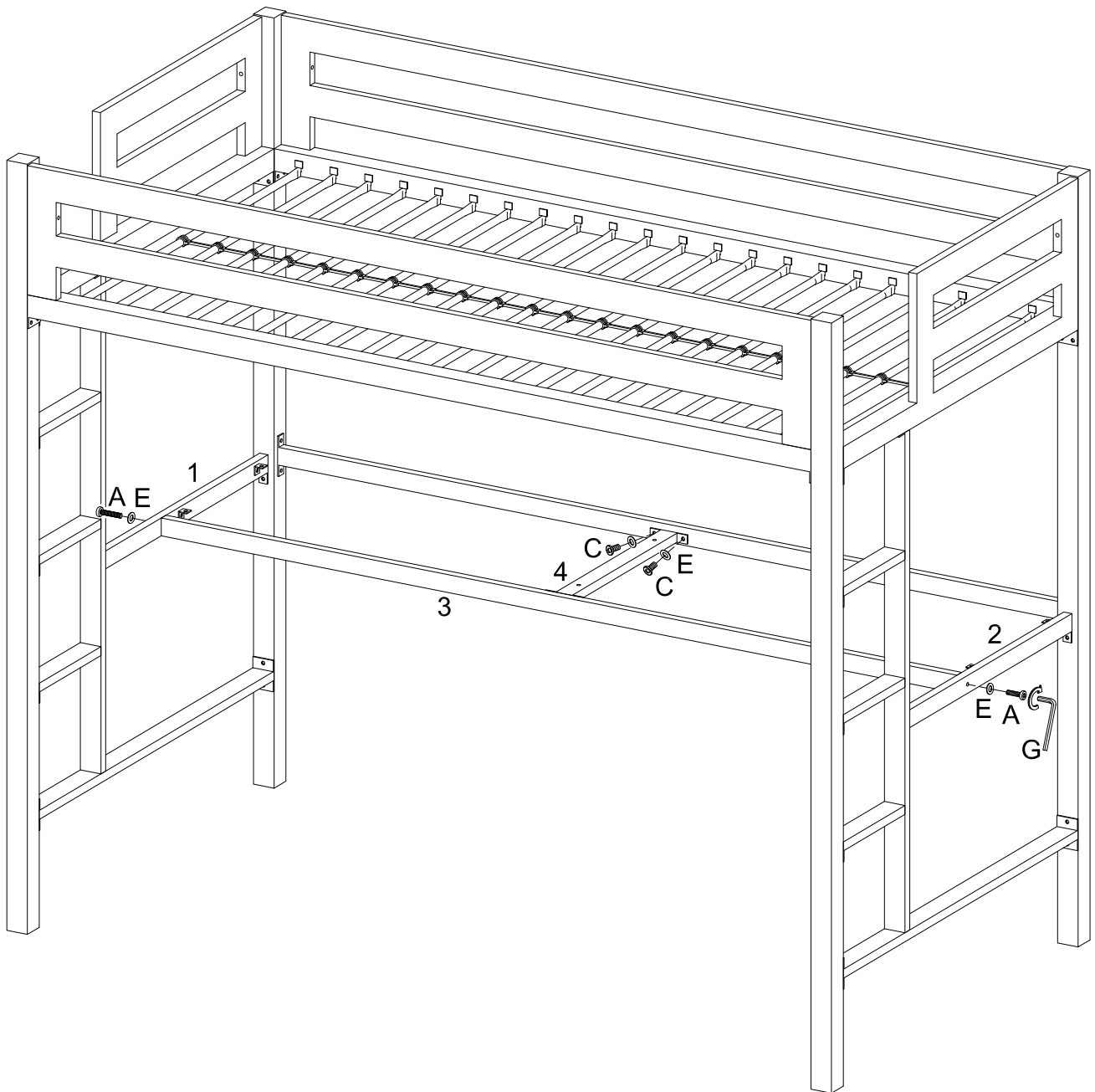
# Step 4



Attach crossbars (1,2) to the bunk bed frame using medium bolts (C) and washers (E).  
Retighten the bolts that secure the short crossbars.

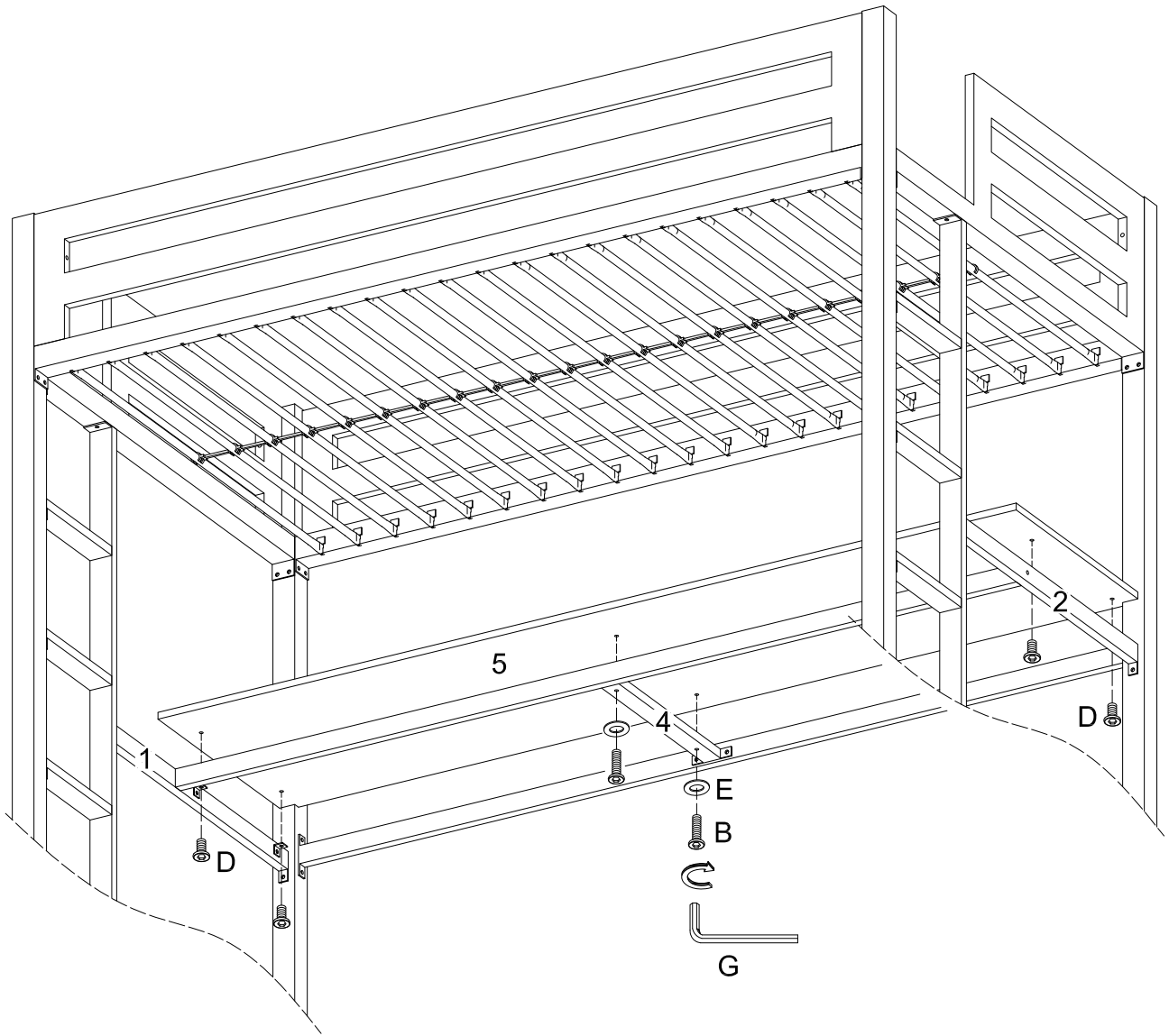


# Step 5



Attach crossbar (3) to crossbars (1,2) using bolts (A) and washers (E). Attach desk crossbar (4) to the bunk bed frame using bolts (C) and washers (E). Tighten all bolts with wrench (G).

# Step 6



Attach the desk top (5) to the bunk bed frame using bolts (D) , Attach the desk top (5) to desk crossbar (4) using bolts (B) and washers (E). Tighten all bolts with wrench (G).

# Step 7



Final Assembly