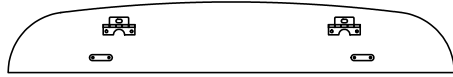


**CRADLE
CONVERTER
ARM**

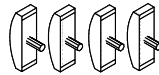
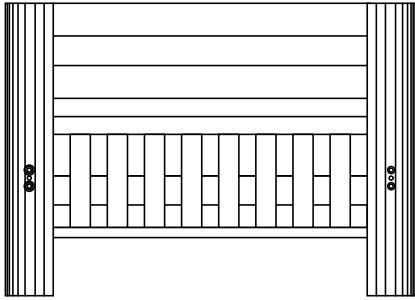
ARIZONA

Bi-Fold Arm Parts List

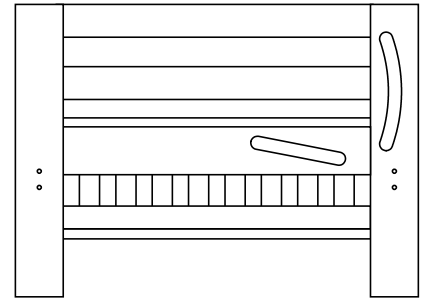
Please follow Assembly Instructions in Body Box



One Pair of Arms



4pcs of Wood Blocks
with Pre-installed dowels.
Install the Wood Blocks to
the Bi-Fold Arms



Hardware in this box



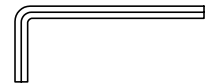
Long Bolts - 8 Pieces



Short Bolts - 4 Pieces

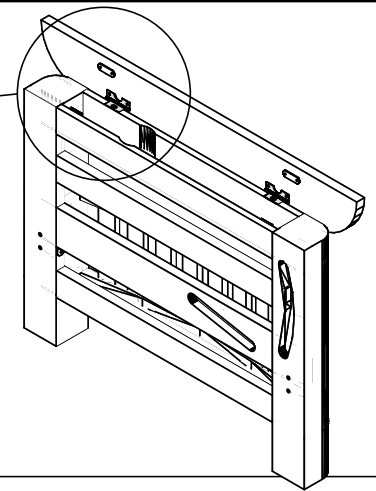
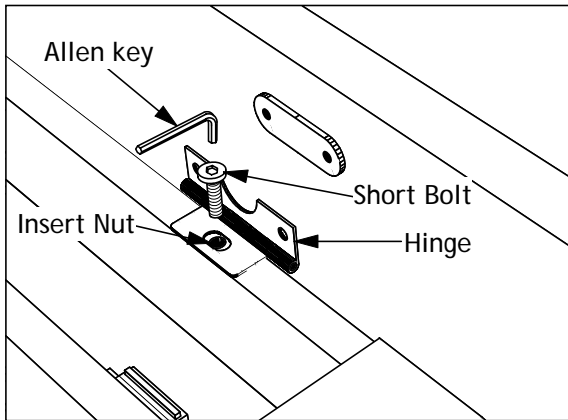


Barrel Nuts - 8 Pieces

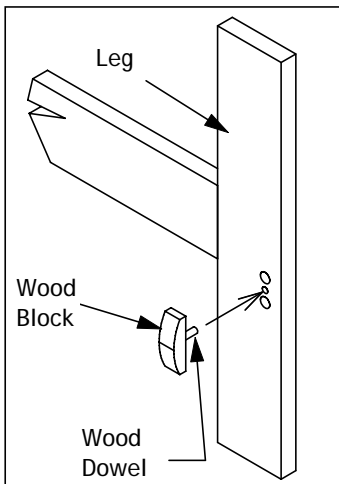


Allen Key - 1 Piece

ARM TOP ASSEMBLY



INSTALLATION OF WOOD BLOCK



Once the Bi-Fold Body is assembled
to the arms, install the wood blocks
on the arms to cover the bolt holes.



LIFESTYLE SOLUTIONS

The Fusion Of Function And Comfort With Style