

Instructions for TV Table

sku# 7516-TB-T

Manufactured by



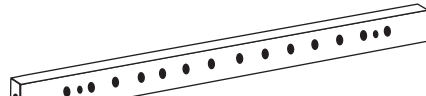
394 Dairy Pak Rd. • Athens, GA 30607
kdframes.com • alan@kdframes.com

PARTS LIST

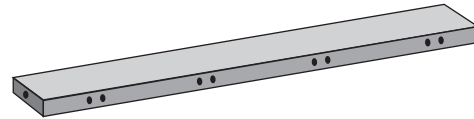
T-2	18" TOP RAILS	2	H-21	2 - 1/2" BOLTS		4
T-13	22" LEGS	4	H-3	CROSS DOWELS		4
T-5	14" LEG CONNECTORS	4	H-4	2" WOOD SCREWS		8
T-6	16" TOP SLATS	5	H-20	1 - 1/2" WOOD SCREWS		8
T-7	16" CONNECTOR SLATS	2	H-10	"Z" WRENCH		1
T-15	18" SHELF RAILS	2				
T-12	13" SHELF SLATS	4				



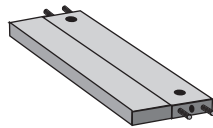
T-13 LEGS (4)



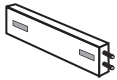
T-2 TOP RAILS (2)



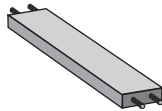
T-15 SHELF RAILS (2)



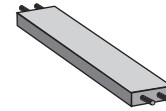
T-7 CONNECTOR SLATS (2)



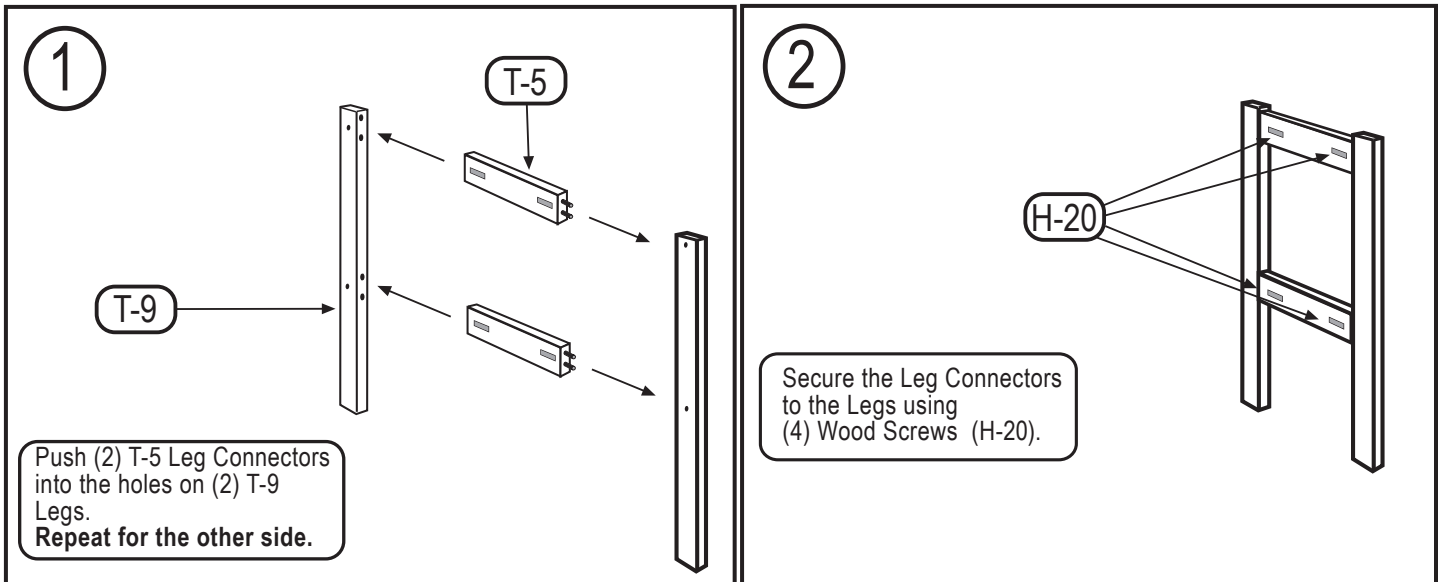
T-5 LEG CONNECTORS (4)



T-6 TOP SLATS (9)



T-12 SHELF SLATS (6)

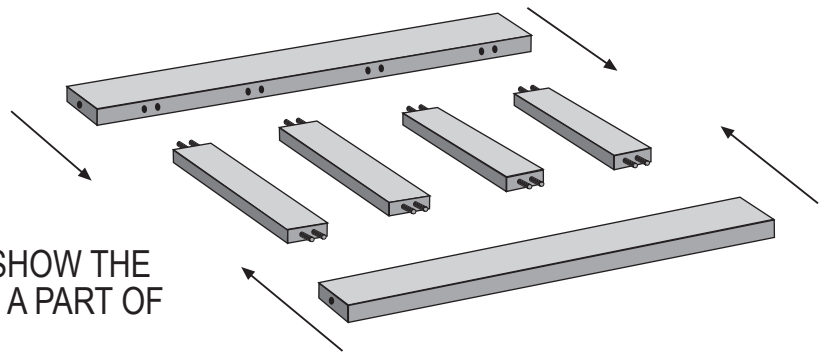


Knockdown Frameworks, Inc. warrants all of its products for five years against any defects that are due to faulty materials or workmanship. We will promptly correct such defects by repair or replacement, at our option, without charge. This warranty covers product defects only and will expire five years after date of purchase by the original consumer purchaser, with proof of purchase required.

This warranty does not apply to damage caused by and resulting from misuse, neglect, accident, or improper operation, maintenance, storage, transportation, or handling of the product. This warranty is for the original consumer purchaser for residential use only and does not apply if the product is used in any commercial application (such as rental property). This warranty does not cover any incidental or consequential damages. If you feel that you have a claim under this warranty, please contact the store from which it was purchased. If this is not possible, call 800-543-3393 for advice on handling your claim.

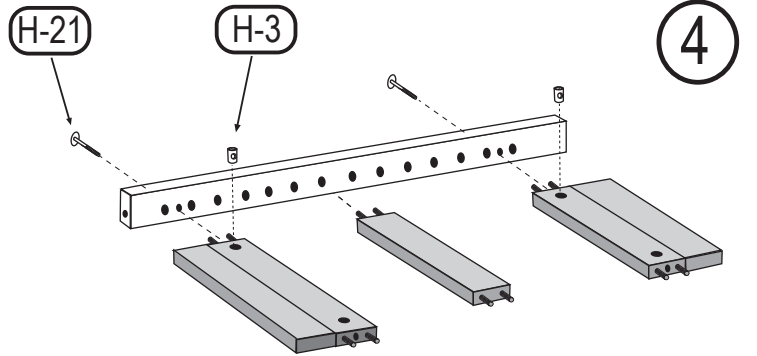
3

Assemble the Shelf by pushing (4) Shelf Slats T-12 into the holes on the (2) Shelf Rails T-15.



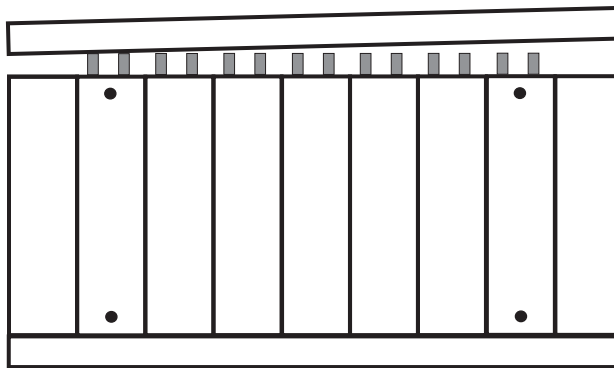
NOTE: THESE DIAGRAMS DO NOT SHOW THE SAME NUMBER OF SLATS THAT ARE A PART OF YOUR PRODUCT.

- To begin assembling the Table Top, find the Top Rails T-2, the Connector Slats T-7, and the Top Slats T-6.
- The Top Rails have holes along one face, note that they are closer to one edge. Turn one Top Rail so that the holes are closer to the bottom edge.
- The Connector Slats have two holes in one face, turn them so that these holes are facing up. Rotate each Connector Slat so that the board with no holes or dowels is on the outside, as shown in the diagram to the right.
- First attach both Connector Slats to one of the Top Rails and secure each using 2-1/2" Bolts H-21 and Cross Dowels H-3. Then insert all five Top Slats.



5

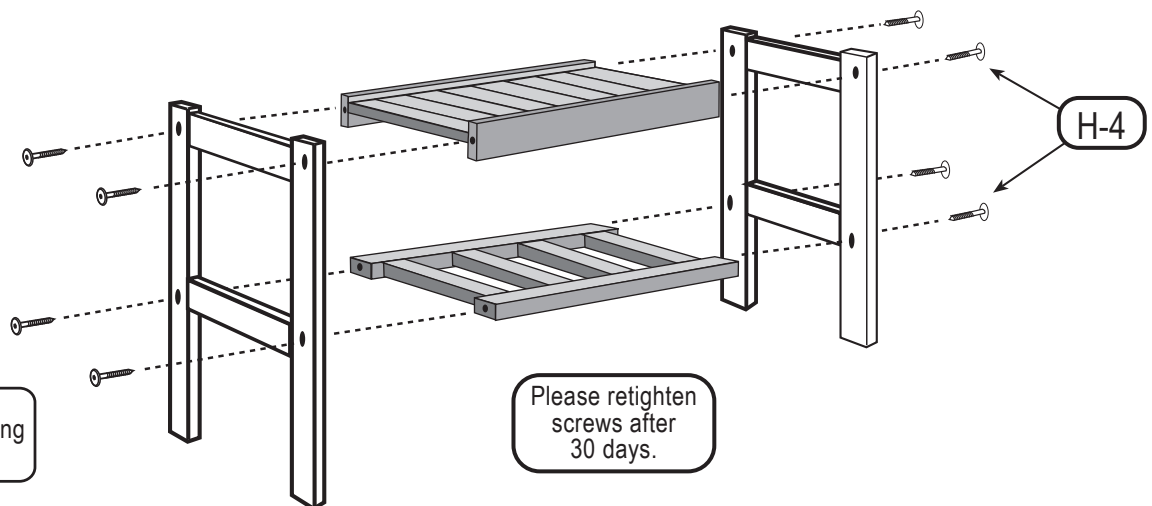
To attach the other Top Rail, begin by aligning the hole and dowel at the very end while keeping the other end of the Top Rail angled slightly away. Hold the Top Rail so that this first dowel remains just inside the first hole, and then align each subsequent pair of dowels in order.



6

Flip Table Top over so that the holes in the face of the Connector Slats are facing down.

Attach the Legs to the Table Top and Shelf using (8) Wood Screws H-4.



Please retighten screws after 30 days.